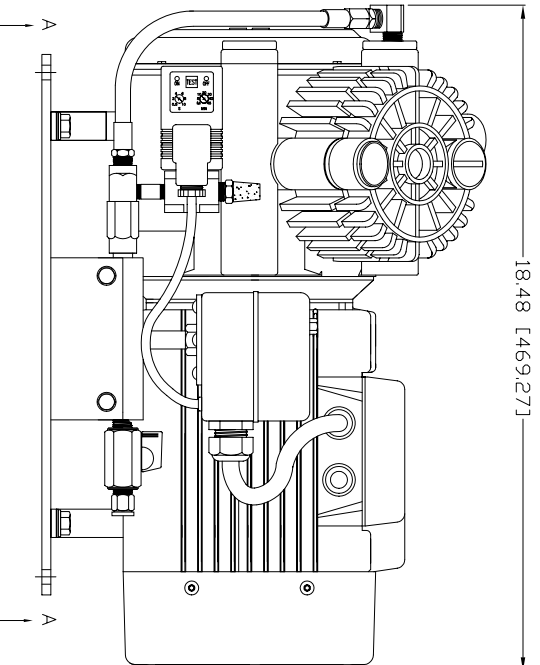
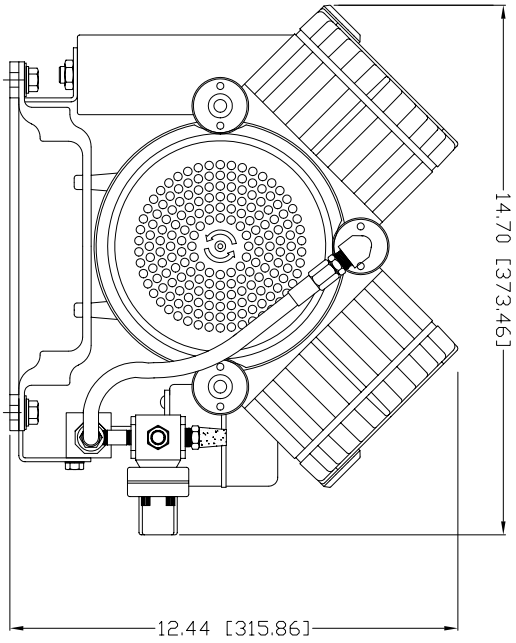
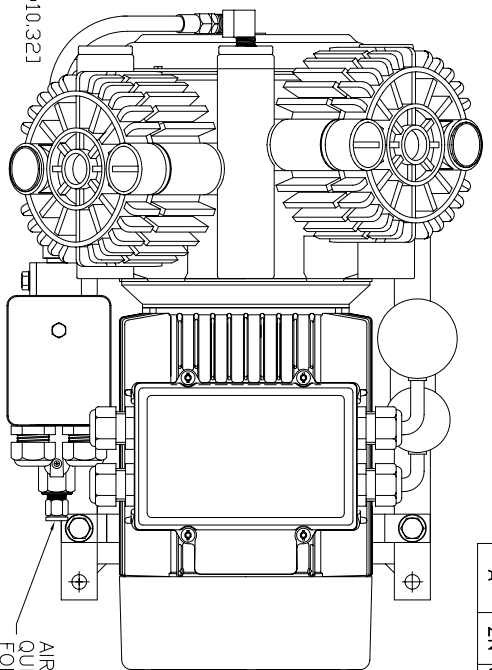
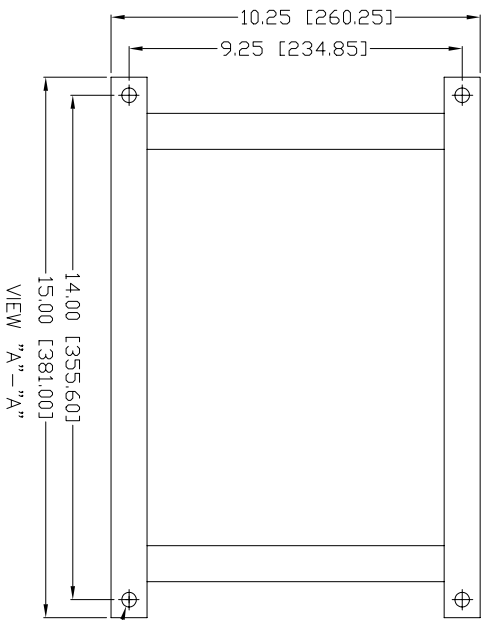


REV.	BY	DATE	DESCRIPTION	APP'D.
A	ZN	03/06/06	REPLACED V-141 WITH V-140 & V-160	EMK



VOLTAGE: 1 PH. or 3PH.
 FREQUENCY: 50/60 Hz
 MOTOR: 1.5 HP, 1.1kW
 MAX. CURRENT: 16.6A
 DISPLACEMENT: 7.49 CFM, 212 l/min
 FAD @ 8 bar: 3.88 CFM, 110 l/min
 MAX. PRESSURE: 150 p.s.i., 10.31 bar
 WEIGHT: 73 lbs., 33.11 kg
 NOISE LEVEL db(A)/m: 74
 THERMAL PROTECTION: YES
 DUTY CYCLE: 100%
 VIBRATION ISOLATED: YES
 WIRE SIZE: 12 AWG

Kahlenberg's
 KAHLBERG BROS. CO. TWO RIVERS, WI. U.S.A.

OUTLINE DIMENSIONS
 MODEL KA2000
 1.5 H.P. OIL-LESS COMPRESSOR

DR.	DATE	CKD.	SCALE	DRWG. NO.	REV.
ZUN	03/04/04	EMK	N.T.S.	3-6278	A