

Model T-4A Yacht Horn

Kahlenberg Chimetone Air Horns all utilize more than one projector or “trumpet” in their design. These projectors each produce a different fundamental frequency which combine to produce powerful, distinctive, musical chords. To hear a Chimetone Air Horn is to realize that the sound of a vessel can be one of its most impressive aspects. The Model T-4A Air Horn is designed for the largest yachts over 75 meters in length. It is made entirely of bronze and brass, and is available in triple chrome plate finish as well as a variety of other optional finishes.



- **FOR VESSELS 75 TO 200 METERS IN LENGTH**
- **MEETS OR EXCEEDS IMO REQUIREMENTS**
- **THE BEST SOUND IN A WIDE VARIETY OF FINISHES**
- **HIGHLY RELIABLE**

TECHNICAL DATA

Fundamental Frequency: 134,171, 220 Hz

S.P.L. : (1/3 Octave @ 1 Meter): 141 dB

Air Consumption:

192 C.F.M. @ 150 p.s.i., 91 l/s @ 10 bar

Air Pressure Required:

100 to 250 p.s.i., 7 to 17 bar
(Higher pressures with optional regulators)

Electrical Power Required:

Any standard A.C. or D.C. Voltage

Material: Cast Bronze and Naval Brass

Net Weight: 185 lbs., 84 kg.,

Finish:

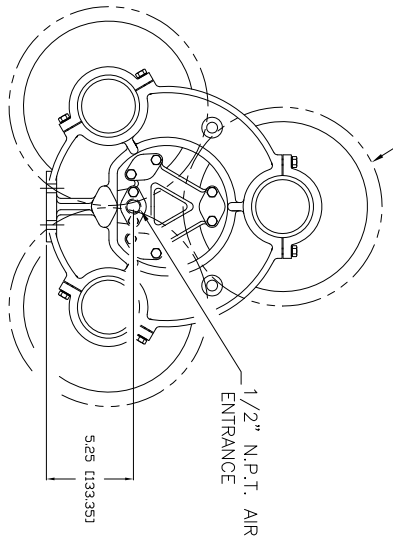
Kahlenberg Chrome Plate, TGIC Sky White Powdercoat, Gold or Black Chrome PVD, Chrome Nitride

Dimensions:

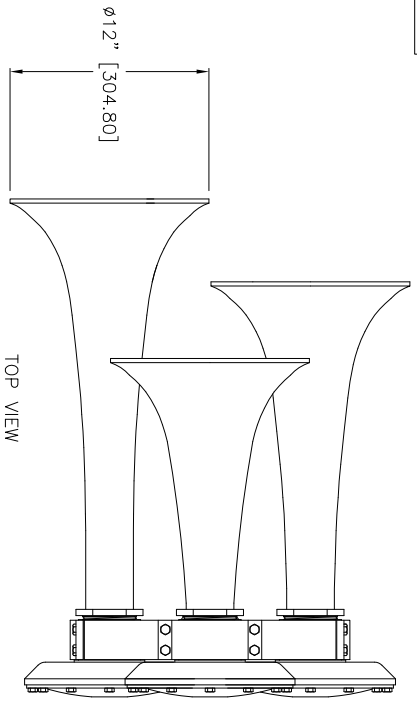
30" x 24" x 22" (940x613x568mm)

Conforming to International Maritime Regulations
For Vessels 75 to 200 Meters in Length.

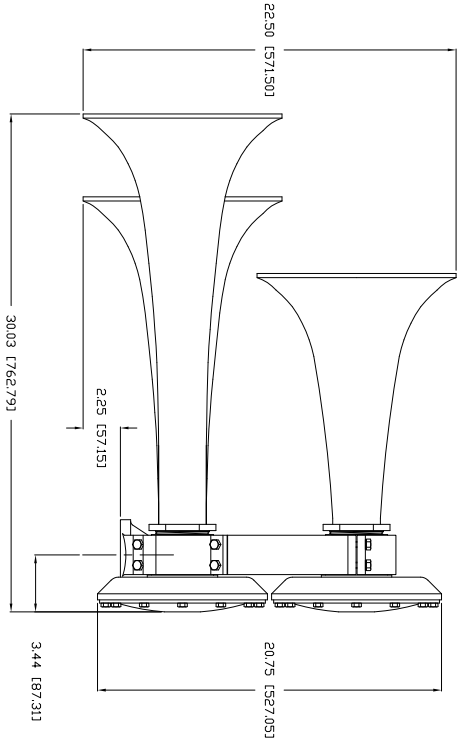
PROJECTORS IN THIS VIEW ARE DEPICTED WITH PHANTOM LINES.



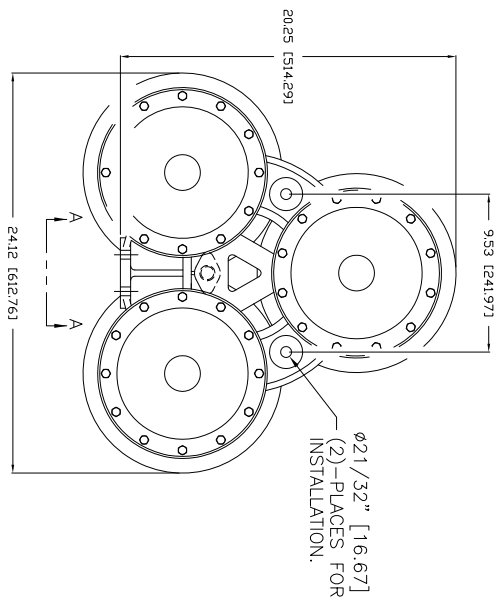
FRONT VIEW



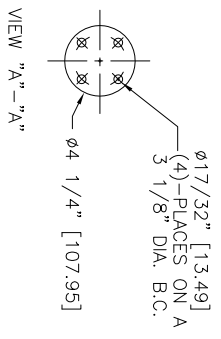
TOP VIEW



SIDE VIEW



REAR VIEW



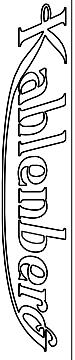
VIEW "A-A"-"A"

TECHNICAL DATA
 Frequency: 134, 171, & 220 Hz
 Sound Pressure Level (1/3 octave at 1 meter): 141dB
 Air Consumption: oppx. 192 C.F.M. @ 150 P.S.I.
 Air Pressure Req: 100 To 250 P.S.I.
 Electric Power: Any Standard A.C. or D.C. voltage
 Material: Cast Bronze
 Net Weight: 185 lbs.
 Shipping Weight: 280 lbs.

Price: \$ _____ U.S.D. Net. Ea.
 (Valid for 60 days, F.O.B. Two Rivers, WI, U.S.A.)

CONFIDENTIAL

INFORMATION CONTAINED HEREIN IS CONFIDENTIAL. IT IS THE PROPERTY OF KAHLBERG INDUSTRIES INC. IT IS TO BE USED SOLELY FOR THE PURPOSE PROVIDED, AND IT IS NOT TO BE DISCLOSED TO OTHERS WITHOUT THE PRIOR WRITTEN CONSENT OF KAHLBERG INDUSTRIES INCORPORATED.



KAHLBERG INDUSTRIES INC. TWO RIVERS, WISCONSIN 54241

**OUTLINE DIMENSIONS
 MODEL T-4A AIRHORN
 FIGURE 314-C**

DR.	DATE	CKD.	SCALE	DRWG. NO.	REV.
ZJN	05/30/96	EMK	N.T.S.	3-56638	