

### Model T-3A Yacht Horn

Kahlenberg Chimetone Air Horns all utilize more than one projector or “trumpet” in their design. These projectors each produce a different fundamental frequency which combine to produce powerful, distinctive, musical chords. To hear a Chimetone Air Horn is to realize that the sound of a vessel can be one of its most impressive aspects. The Model T-3A Air Horn is designed for the most discriminating yachtsman. It is made entirely of bronze and brass, and is available in triple chrome plate or a variety of other finishes.



- **FOR VESSELS LESS THAN 75 METERS IN LENGTH**
- **MEETS OR EXCEEDS IMO REQUIREMENTS**
- **LOW AIR CONSUMPTION, OPERATES ON A WIDE RANGE OF AIR PRESSURE**
- **HIGHLY RELIABLE, VIRTUALLY NO MAINTENANCE**
- **OPTIONAL DIRECTLY MANIFOLDED MANUAL/SOLENOID VALVES, AIR STRAINER**

#### TECHNICAL DATA

Fundamental Frequency: 311, 261, and 208 Hz  
S.P.L. : (1/3 Octave @ 1 Meter): 135 dB

Air Consumption:  
52 C.F.M. @ 100 p.s.i., 25 l/s @ 7 bar

Air Pressure Required:  
100 to 250 p.s.i., 7 to 17 bar  
(Higher pressures with optional regulators)

Electrical Power Required:  
Any standard A.C. or D.C. Voltage

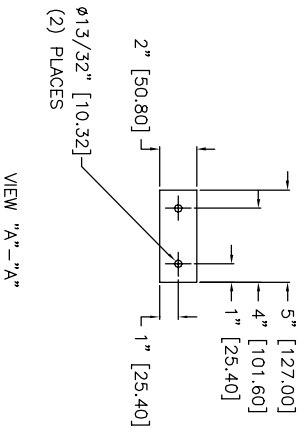
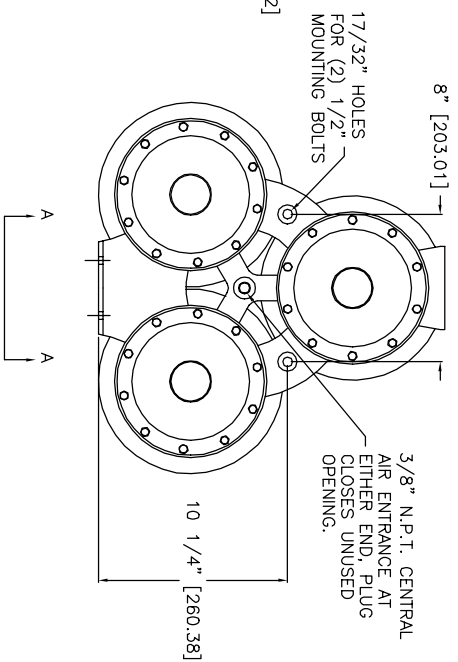
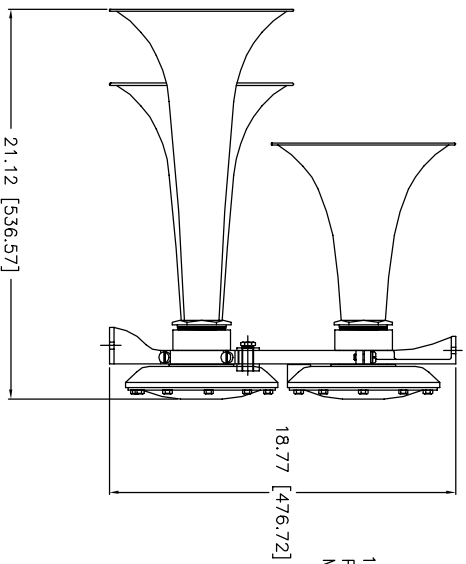
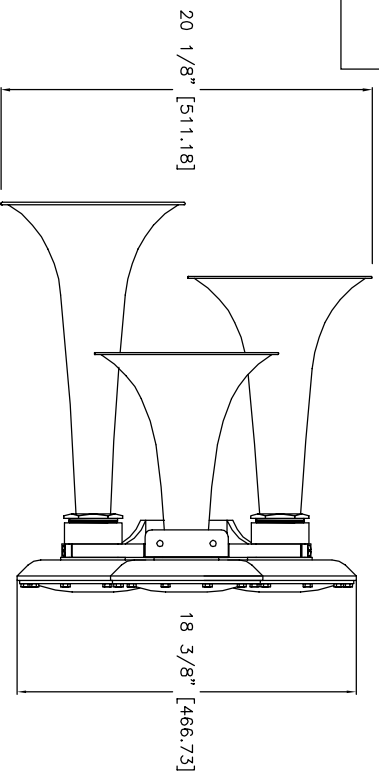
Material: Cast Bronze and Spun Brass

Net Weight: 75 lbs., 34 kg.

Finishes:  
Kahlenberg Chrome Plate, TGIC Sky White Powdercoat, Gold or Black Chrome PVD

Dimensions:  
21.25" x 18.5" x 19" (540x470x483)  
(dimensions without optional light)

Conforming to International Maritime Regulations  
For Vessels Less Than 75 Meters in Length.



**TECHNICAL DATA**  
 Frequency: 208, 261, 311 Hz  
 Sound Pressure Level (1/3 octave at 1 meter): 142-2dB  
 Sound Pressure Level (dB(A) at 1 meter): 135dB  
 Air Consumption: appx. 78 C.F.M. @ 150 P.S.I.  
 Air Pressure Req: 100 To 250 P.S.I.  
 Electric Power: Any Standard A.C. or D.C. voltage  
 Material: Spun Brass & Cast Bronze  
 Net Weight: 75 Lbs.  
 Shipping Weight: 132 Lbs.

Price: \$ \_\_\_\_\_ U.S.D. Net. Ea.  
 (Valid for 60 days, F.O.B. Two Rivers, WI, U.S.A.)

Kahlenberg Bros. Co. Two Rivers, WI, U.S.A.

**Kahlenberg's**  
**OUTLINE DIMENSIONS**  
**MODEL T-3A, FIG. 313**  
**AIRHORN**

DATE	DRWG. NO.	REV.
04/12/01	3-5446	A EMK