

Model T-2 Yacht Horn

Kahlenberg Chimetone Air Horns all utilize more than one projector or “trumpet” in their design. These projectors each produce a different fundamental frequency which combine to produce powerful, distinctive, musical chords. To hear a Chimetone Air Horn is to realize that the sound of a vessel can be one of its most impressive aspects. The Model T-2 Air Horn is designed for the most discriminating yachtsman. It is made entirely of bronze and brass, and is available in triple chrome plate or a variety of other finishes.



TECHNICAL DATA

Fundamental Frequency: 212, 265, 349 Hz

S.P.L.: (1/3 Octave @ 1 Meter): 131 dB

Air Consumption:
42 C.F.M. @ 100 p.s.i., 20 l/s @ 7 bar

Air Pressure Required:
100 to 250 p.s.i., 7 to 17 bar
(Higher pressures with optional regulators)

Electrical Power Required:
Any standard A.C. or D.C. Voltage

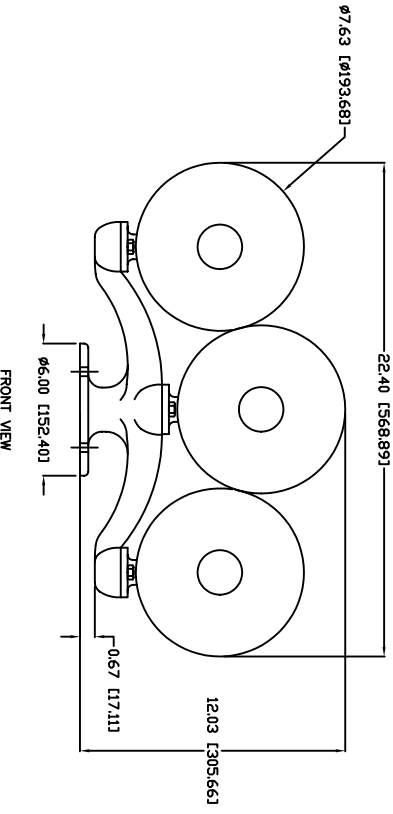
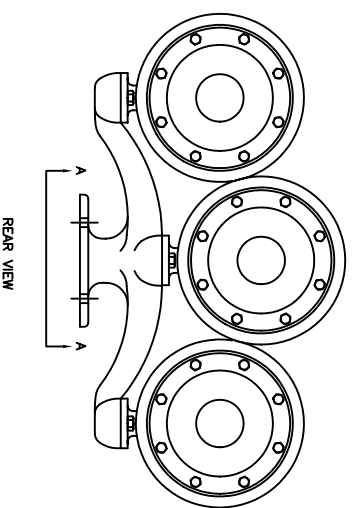
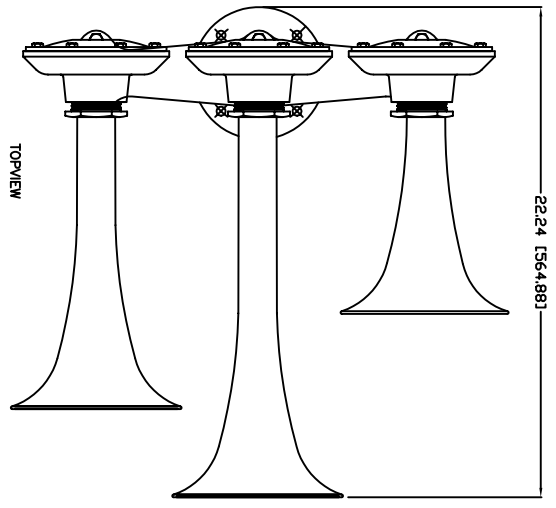
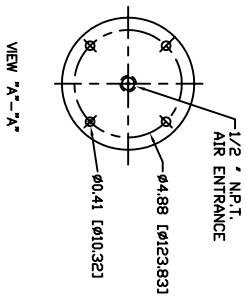
Material: Cast Bronze and Spun Brass

Net Weight: 54 lbs., 24.5 kg.,

Finishes:
Kahlenberg Chrome Plate, TGIC Sky
White Powdercoat, Gold or Black
Chrome PVD

- **FOR VESSELS LESS THAN 75 METERS IN LENGTH**
- **MEETS OR EXCEEDS IMO REQUIREMENTS**
- **OPERATES ON A WIDE RANGE OF AIR PRESSURE**
- **HIGHLY RELIABLE, VIRTUALLY NO MAINTENANCE**
- **OPTIONAL DIRECTLY MANIFOLDED MANUAL/SOLENOID VALVES, AIR STRAINER**

Conforming to International Maritime Regulations
For Vessels Less Than 75 meters in Length.



TECHNICAL DATA

Frequency: 349, 265, & 212 Hz
Sound Pressure Level (dB(A) at 1 meter): 140dB
Sound Pressure Level (1/3 octave at 1 meter): 131dB
Air Consumption: appx. 60 C.F.M. @ 150 P.S.I.
Air Pressure Req: 100 To 250 P.S.I.
Electric Power: Any Standard A.C. or D.C. voltage
Material: Spun Brass & Cast Bronze
Net Weight: 54 Lbs.
Shipping Weight: 96 Lbs.

Price: \$ _____ U.S.D. Net. Ea.
(Valid for 60 days, F.O.B. Two Rivers, WI, U.S.A.)



KAHLENBERG BROS. CO. TWO RIVERS, WI. U.S.A.
**OUTLINE DIMENSIONS
MODEL T-2 AIRHORN**

DATE	DRWG. NO.	REV.
04/12/01	3-6104	A EMK