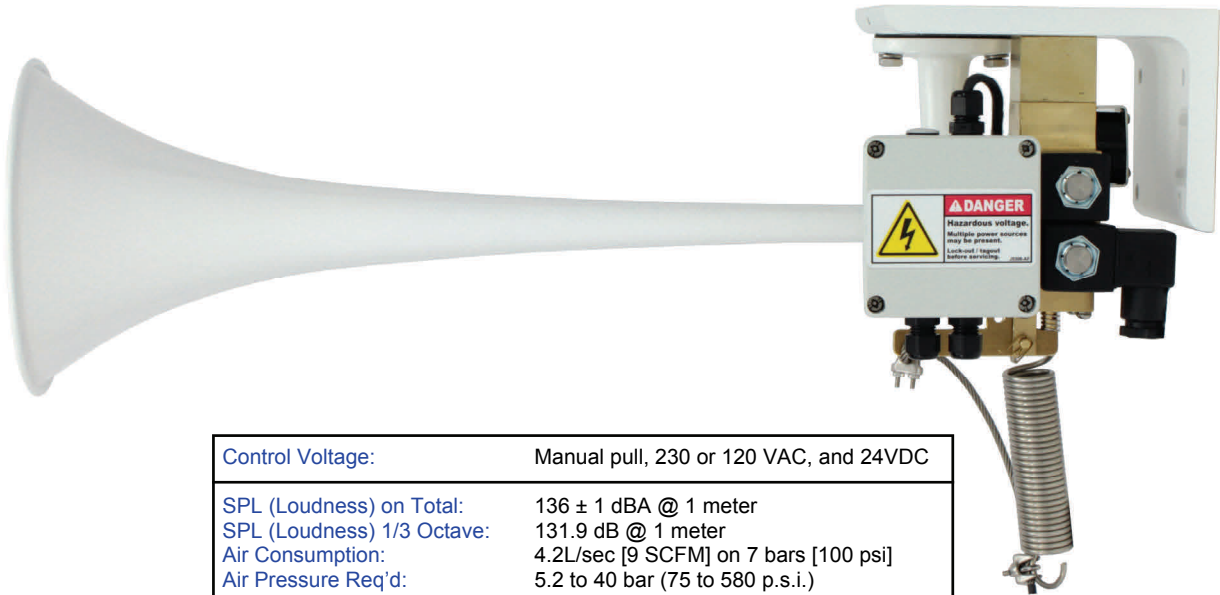


## Single Tone Heated Air Horn

IMO / COAST GUARD CERTIFIED FOR CLASS III MARINE VESSELS  
20 TO 75 METERS IN LENGTH

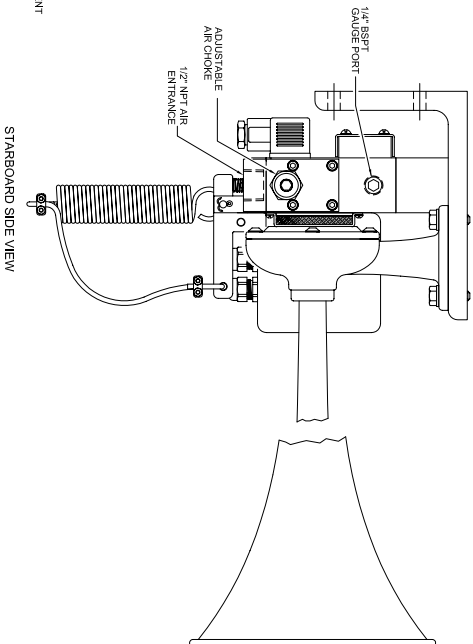
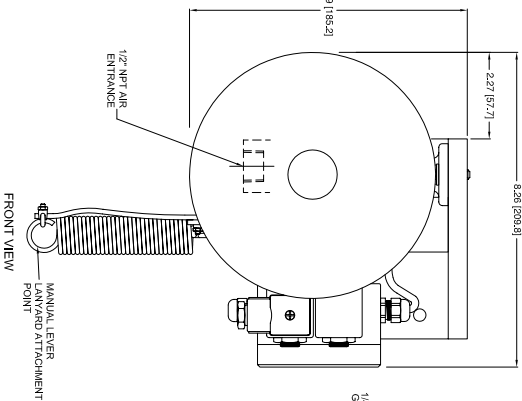
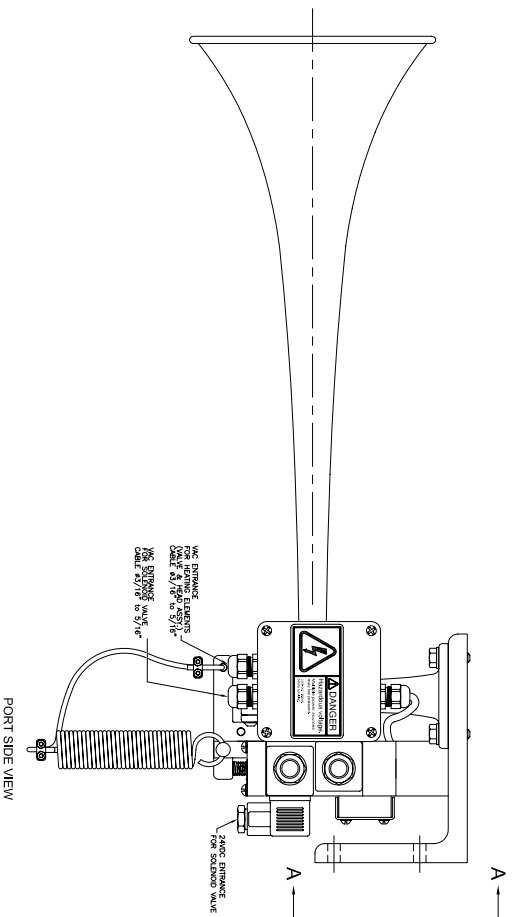
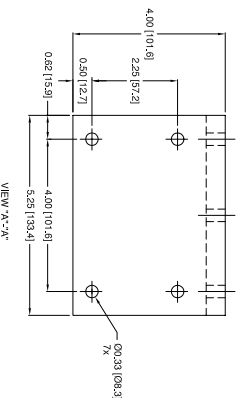
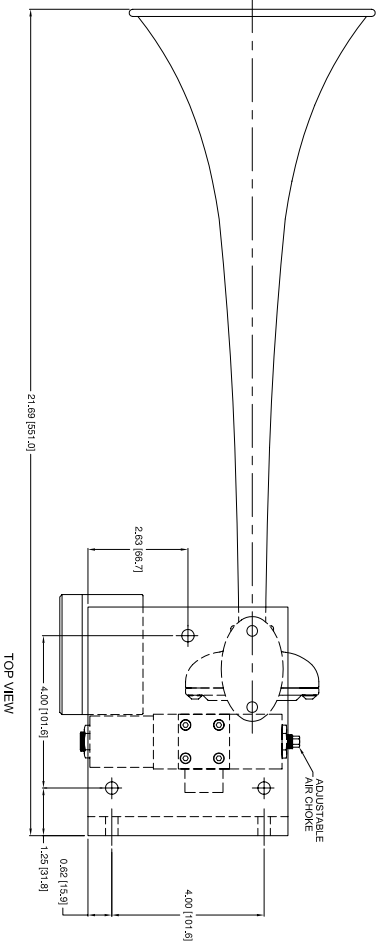


|                            |   |
|----------------------------|---|
| Control Voltage:           | Manual pull, 230 or 120 VAC, and 24VDC                        |
| SPL (Loudness) on Total:   | 136 ± 1 dBA @ 1 meter   |
| SPL (Loudness) 1/3 Octave: | 131.9 dB @ 1 meter  |
| Air Consumption:           | 4.2L/sec [9 SCFM] on 7 bars [100 psi]                         |
| Air Pressure Req'd:        | 5.2 to 40 bar (75 to 580 p.s.i.)                              |
| IMO Audibility Range:      | 1 nautical mile   |
| Fundamental Frequency:     | 330 Hz  |
| Materials:                 | Brass, Stainless Steel, Aluminum Bracket                      |
| Voltage and Consumption:   | Control: 8 watts A.C., 10 Watts D.C.<br>Heater: 20 Watts A.C. |
| Operating Temperature:     | -4°C to +80°C [25°F to +176°F]                                |
| Net Weight:                | 5 kg (12 lbs.)  |
| Finish:                    | TGIC Sky White Powdercoat                                     |

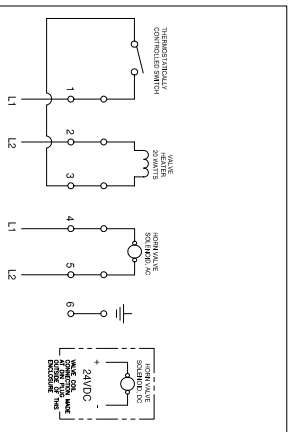
- **Constructed of brass, with titanium diaphragm, and stainless steel fasteners to withstand the harsh marine environment**
- **Heated combination manual override and dual electric solenoid operating valve for redundancy providing safety of vessel and crew**
- **Heater is water tight and thermostatically controlled**
- **Lightweight design facilitates mount to vertical or horizontal surfaces**

# Conforming to International Maritime Regulations For Vessels 20 - 75 Meters in Length

| REV. | BY  | DATE     | DESCRIPTION                         | APP'D. |
|------|-----|----------|-------------------------------------|--------|
| A    | ZJM | 04/20/12 | BRASS MATERIAL WAS CHGd NAVAL BRASS | EMK    |



## WIRING DIAGRAM



## GENERAL NOTES

- THE ORIFICE INTO THE HORN CAN BE INCREASED FOR THE LOWER PRESSURES AND DECREASED FOR HIGHER PRESSURES. CONSULT FACTORY WHEN OPENINGS SO AIR CHOKE CAN BE PRESET ACCORDINGLY.
- START WITH ONE PIPE SIZE LARGER THAN INLET INTO HORN AND INCREASE BY ONE PIPE SIZE FOR EVERY 100 FT OF RUN
  - PRESSURE DROP AT HORN SHOULD NOT EXCEED 15 P.S.I. AT THE WHISTLE BASE WHILE HORN IS BLOWING.
  - PIPE SHOULD BE INSTALLED WITH A CONTINUAL RISE TO THE LAYOUT WITH AS FEW ELBOWS AS POSSIBLE.
  - COOPER TUBING AND FITTINGS ARE LESS RESTRICTIVE THAN IRON PIPE AND CAST FITTINGS. IF USING IRON PIPE USE TEFLON TAPE ON MALE THREADS.
  - AIR SUPPLY SHOULD BE TAKEN FROM THE TOP OF TANK OR MAIN SUPPLY LINE
  - ON LONG UNMOUNTABLE RUNS, AN AIR RECEIVER COATED CLOSE TO HORN WILL AVOID EXCESSIVE PRESSURE WHEN HORN IS SOUNDING.
  - INSTALL SHUT-OFF VALVE WHERE NECESSARY TO FACILITATE SERVICES
  - OUTSIDE RUNS EXPOSED TO COLD WEATHER SHOULD BE INSULATED OR PROTECTED WITH HEATING CABLE.
  - BEFORE CONNECTING HORN, BLOW OUT LINES THOROUGHLY TO REMOVE PIPE CHIPS OR OTHER ACCUMULATED DEBRIS.
  - HORN PRODUCES EXTREME SOUND OUTPUT. USE EAR PROTECTORS AT ALL TIMES WHEN CHECKING OR TESTING WHISTLES.

NET WEIGHT: 12 LBS / 5.44 KG.  
MATERIALS: 6061 ALUMINUM ALLOY,  
C36000 BRASS  
316 STAINLESS STEEL FASTENERS.  
FINISH: TOIC WHITE POWDERCOAT.  
INGRESS RATING: IP66  
OPERATING TEMPERATURE RANGE: -40° - 211°F  
☺ = CENTER OF GRAVITY

1 PSI = 0.0689 BAR  
1 CFM = 0.4719 L/SEC  
1" (inch) = 25.4 MM  
1 FT = 0.3048 METTER  
1 LB = 0.4535 KG

## CONFIDENTIAL

PROPRIETARY INFORMATION  
PROPERTY OF HALLIBROOK INDUSTRIES  
INC. IT IS TO BE USED EXCLUSIVELY  
FOR THE PROJECT IDENTIFIED ON  
THIS DRAWING. IT IS TO BE RETURNED TO  
HALLIBROOK INDUSTRIES UPON COMPLETION  
OF THE PROJECT OR UPON REQUEST.  
UNAUTHORIZED REPRODUCTION OR  
DISSEMINATION IS PROHIBITED.



KALAMENDER INDUSTRIES, INC. TWO BUILDINGS, WISCONSIN 53441

## OUTLINE DIMENSIONS S-330-DVM AIRHORN

| DR. | DATE     | CHKD. | SCALE  | DRWG. NO. | REV. |
|-----|----------|-------|--------|-----------|------|
| ZJM | 01/18/12 | EMK   | N.T.S. | 3-6647    | A    |

CAGE: 75214  
PARTS LIST: 3-6648

**TECHNICAL DATA**  
Frequency: 330 Hz  
Sound Pressure Level (dB(A) @ 1 meter): 136.0 dB  
Sound Pressure Level (1/3 octave at 1 meter): 131.9 dB  
Air Consumption: 9 C.F.M. @ 100 P.S.I.  
Air Pressure Req: 75 to 580 P.S.I. (5.2 to 40 bar)  
Electric Power: 120 OR 230 VAC, & 24 VDC  
Material: Spun Brass and Cast Bronze  
Net Weight: 12 Lbs. (5.44 Kg)  
Shipping Weight: 16 Lbs. (7.3 Kg)

Copyright © Halliburton Ind. Inc. 2010