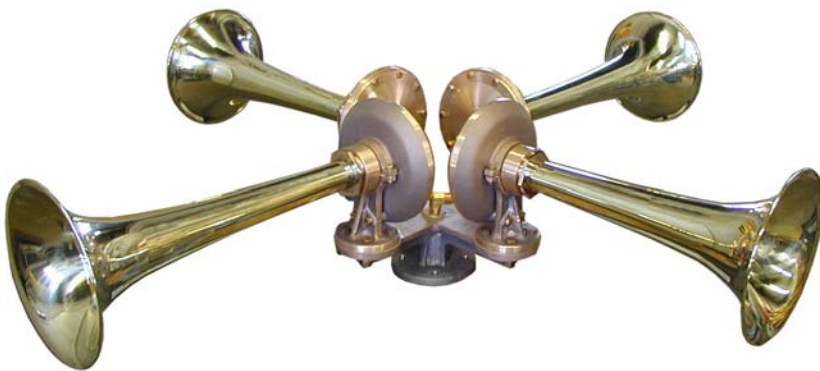


### Model Q-3-483-3 Air Horn

Designed for use as a scoring signal in the largest arenas and stadiums, the Model Q-3 Fig. 483 Air Horn is an impressive unit. Providing a sound pressure level of over 140 dB @ 1 Meter, the Q-3 combines multiple tones for optimum effect. Configured as an omni-directional unit, sound can be evenly distributed throughout the facility eliminating problems with weak or excessive decibel levels in certain seating areas. A complete system can be designed for use with the Q-3 Air Horn including compressor kits and controls. Ask our sales department for details.



#### TECHNICAL DATA

Fundamental Frequency: 174 & 208 Hz  
S.P.L.: 141 dB (lin) @ 1 meter

Air Consumption: 96 CFM @ 150 p.s.i.  
Air Pressure Required: 100 to 250 p.s.i.

Electrical Power Required: (Use with separate solenoid valves, any voltage)

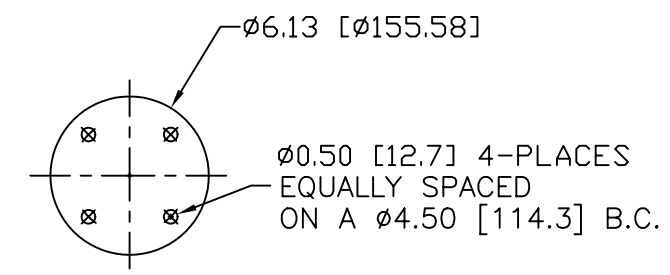
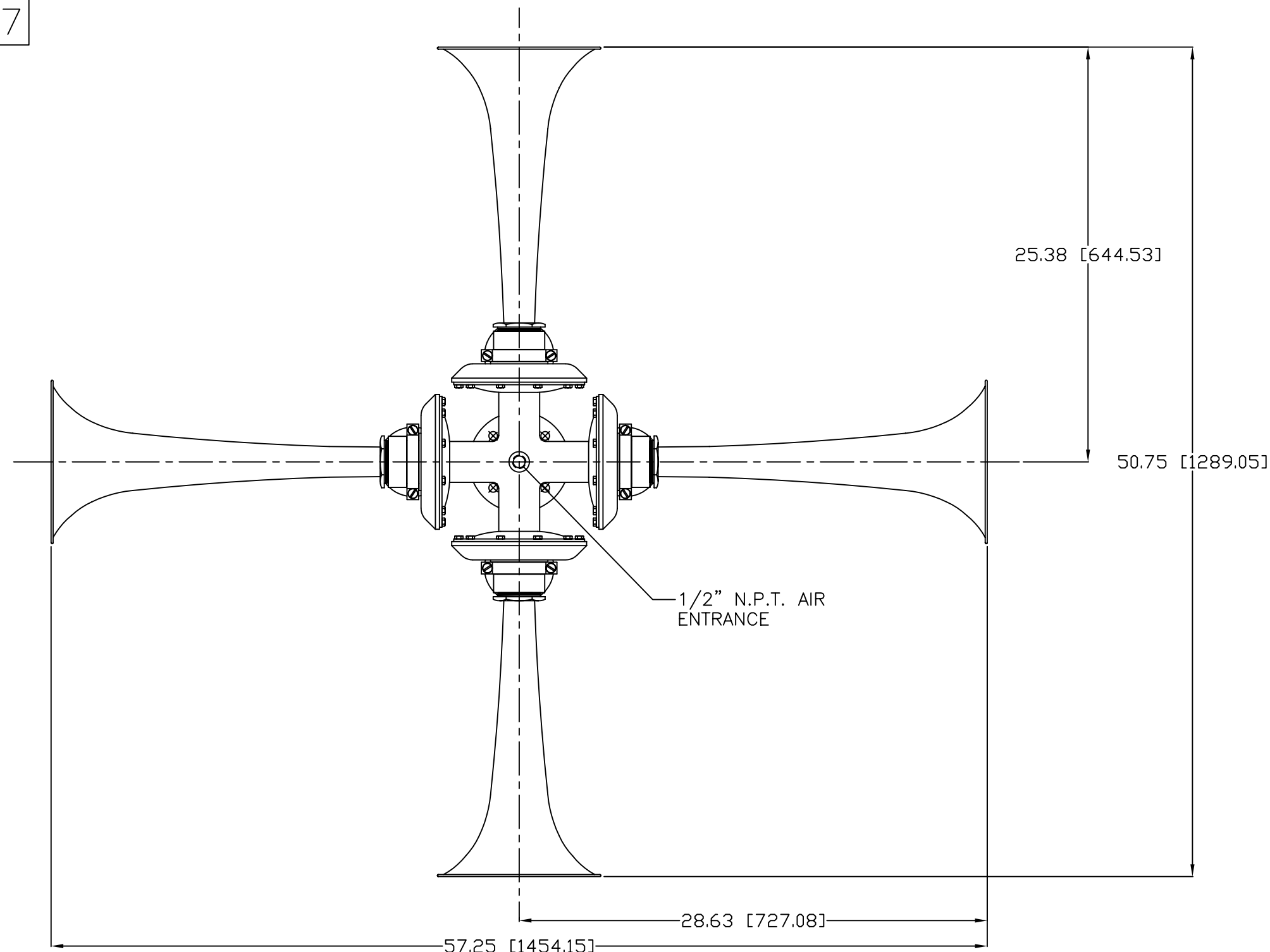
Material: Cast Bronze and Spun Brass  
Net Weight: 100 lbs  
Shipping Weight: 180 lbs.

Finish:  
None as standard, Optional White Powdercoat or Chrome Plate

- **HIGHLY RELIABLE, NO MAINTENANCE**
- **LOW AIR CONSUMPTION, OPERATES ON A WIDE RANGE OF AIR PRESSURE**
- **AVAILABLE IN UNI-DIRECTIONAL OR BI-DIRECTIONAL VARIATIONS**
- **FOR USE INSIDE LARGER ARENAS OR IN OUTDOOR STADIUMS**

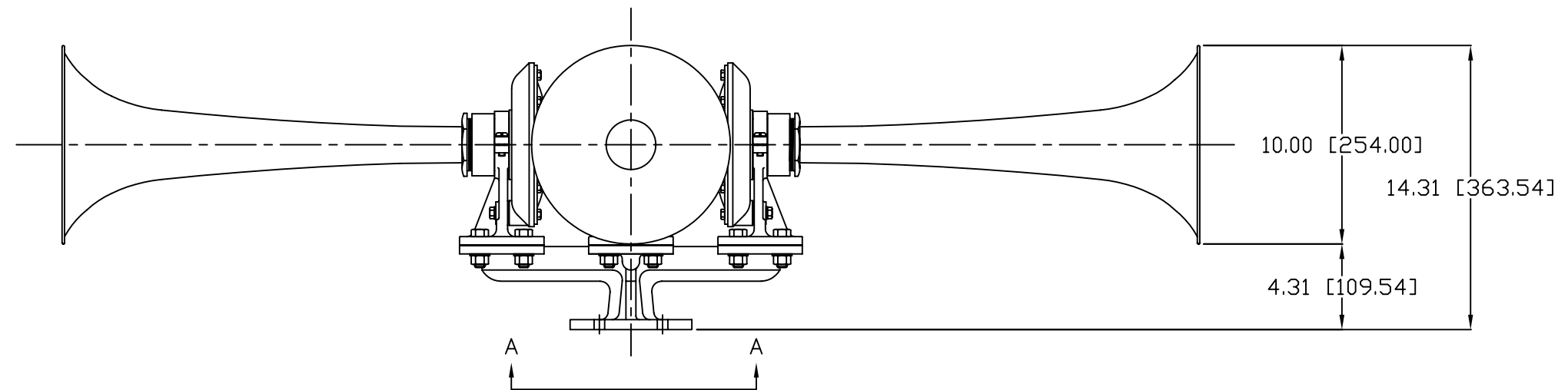
3-4627

REV.	BY	DATE	DESCRIPTION	APP'D.



VIEW "A"-"A"

FREQUENCIES: 179Hz. & 207 Hz.  
 MATERIALS: CAST BRONZE & SPUN BRASS



<i>Kahlenberg</i>					
KAHLENBERG BROS. CO.			TWO RIVERS, WISCONSIN 54241		
OUTLINE DIMENSIONS					
MODEL Q-3 FIGURE 4833					
CHIMETONE AIRHORN					
DR.	DATE	CKD.	SCALE	DRWG. NO.	REV.
ZJN	05/04/00	EMK	N.T.S.	3-4627	D