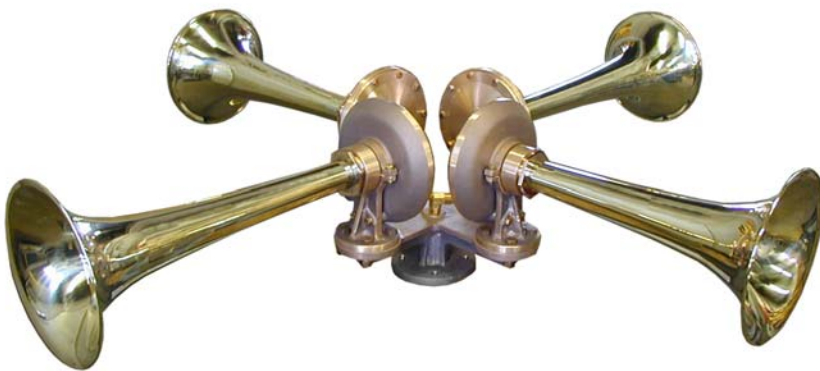


Model Q-3-483-2 Air Horn

The Model Q-3 Omni-Directional Air Horn is designed as an extremely powerful air alarm for outdoor use. Being an omni-directional unit, the Q-3 covers larger areas more effectively than uni-directional horns. Producing over 140 decibels at 1 Meter, the Q-3 is capable of covering an area of over 1000 acres in ideal conditions. Contact our sales department for details regarding suggested installation and potential coverage areas for specific installations.



TECHNICAL DATA

Fundamental Frequency: 207 Hz
S.P.L.: 141 dB @ 1 meter

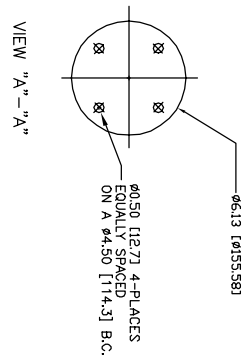
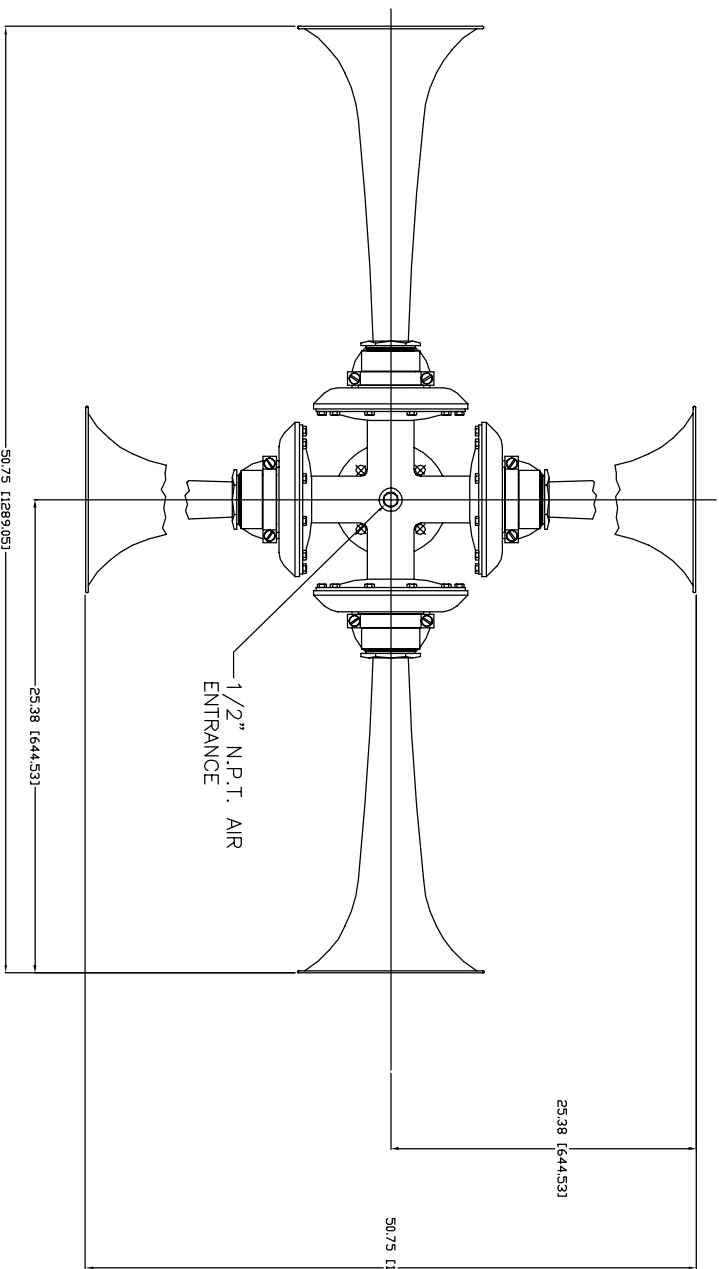
Air Consumption: 96 CFM @ 150 p.s.i.
Air Pressure Required: 100 to 250 p.s.i.

Electrical Power Required: (Use with separate solenoid valves, any voltage)

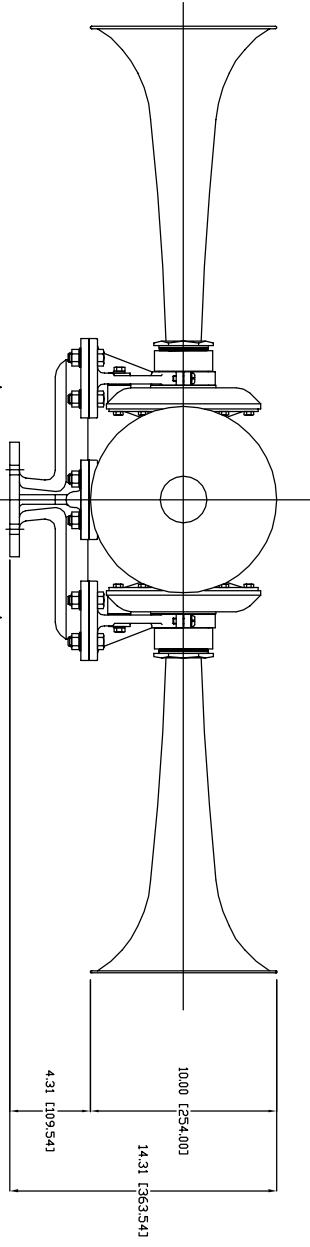
Material: Cast Bronze and Spun Brass

Net Weight: 130 lb.s
Shipping Weight: 226 lbs.

- **HIGHLY RELIABLE, NO MAINTENANCE**
- **ALL BRONZE AND BRASS CONSTRUCTION FOR CORROSION RESISTANCE**
- **EVEN DISTRIBUTION OF SOUND OVER A WIDE AREA**
- **ECONOMICAL ALTERNATIVE TO LARGE SIRENS WHERE COMPRESSED AIR IS AVAILABLE**



MATERIALS: CAST BRONZE & SPUN BRASS



TECHNICAL DATA
 Frequency: 207 Hz
 Sound Pressure Level (dB(A) at 1 meter): 141dB
 Air Consumption: appx. 96 CFM @ 150 P.S.I.
 Air Pressure Req: 100 to 250 P.S.I.
 Electric Power: N/A
 Material: Spun Brass & Cast Bronze
 Net Weight: 130 Lbs.
 Shipping Weight: 226 Lbs.

Price: \$ _____ U.S.D. Net. Ea.
 (Valid for 60 days, F.O.B. Two Rivers, WI, U.S.A.)

Kahlenberg
 KAHLENBERG BROS. CO. TWO RIVERS, WI, U.S.A.
 OUTLINE DIMENSIONS
 MODEL 0-3 AIRHORN
 FIGURE 4832

DATE	DRWG. NO.	REV.
05/15/01	3-6096	A EMK