

Model P449 Strobe Lights

The Kahlenberg P194 Series Strobe Lights provide a visual warning signal, often used in conjunction with Kahlenberg Industrial sound signals. Ideal for use in industrial facilities or any other indoor or outdoor environment requiring a visual warning signal. When used with the Kahlenberg M-700 Industrial Timer, the timer circuit immediately activates these strobes continuously for 3 seconds prior to, and during on/off signaling of connected horns or sound signal devices.



TECHNICAL DATA

Supply Voltage:

12-48 Volts D.C., 120 or 240 Volts A.C.

Power Consumption: 24 watt

Strobe Speed: 60 flashes/minute

Body Material: Hi Impact Plastic

Port Size: 1/2" N.P.T

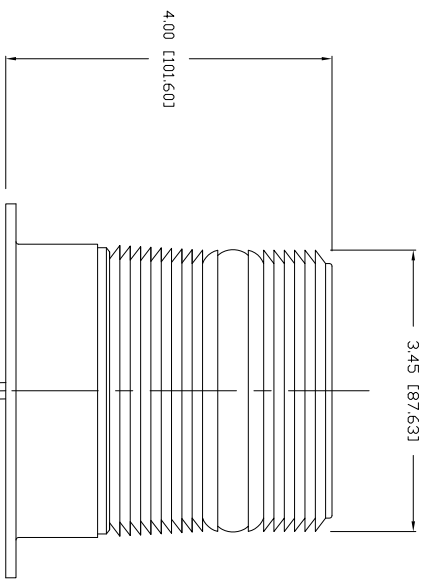
Net Weight: 0.5 lbs., 0.22 kg.,

Dimensions:

4" x 4.5" Diameter

- **IDEAL FOR VISUAL WARNING SIGNALS IN ADDITION TO SOUND SIGNALS**
- **FOR INDOOR AND OUTDOOR INSTALLATIONS**
- **POWERED BY ANY COMMON A.C. OR D.C. VOLTAGE**
- **DURABLE WATERTIGHT CONSTRUCTION**

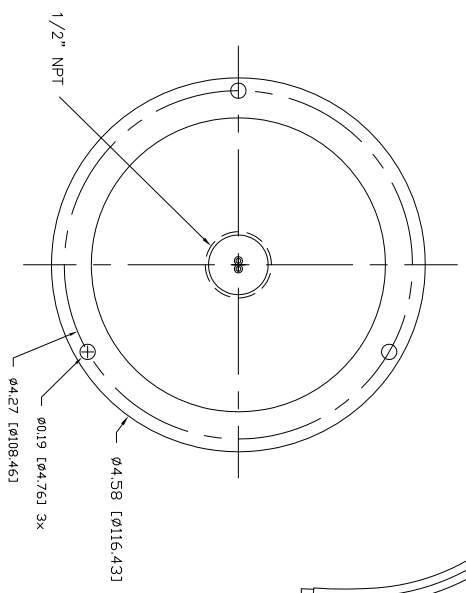
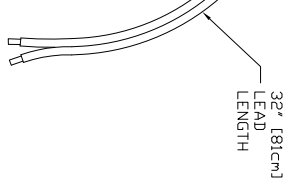
REV.	BY	DATE	DESCRIPTION	APP'D.
------	----	------	-------------	--------



PART # P194-07
 PORT SIZE: 1/2" N.P.T.
 POWER REQUIREMENTS:
 12-48VDC, 0.5 AMPS
 6-24 WATT (D.C.)
 60 FLASHES PER MINUTE
 BODY MATERIAL: HI IMPACT PLASTIC
 LENS COLOR: CLEAR
 WEIGHT: 0.5 lbs. [0.23 Kg]

PART # P194-08
 PORT SIZE: 1/2" N.P.T.
 POWER REQUIREMENTS:
 120VAC, 0.2 AMPS
 24 WATT (A.C.)
 60 FLASHES PER MINUTE
 BODY MATERIAL: HI IMPACT PLASTIC
 LENS COLOR: CLEAR
 WEIGHT: 0.5 lbs. [0.23 Kg]

PART # P194-09
 PORT SIZE: 1/2" N.P.T.
 POWER REQUIREMENTS:
 220VAC, 0.1 AMPS
 22 WATT (A.C.)
 60 FLASHES PER MINUTE
 BODY MATERIAL: HI IMPACT PLASTIC
 LENS COLOR: CLEAR
 WEIGHT: 0.5 lbs. [0.23 Kg]



CONFIDENTIAL

INFORMATION CONTAINED HEREIN IS CONFIDENTIAL. IT IS THE PROPERTY OF KAHLBERG INDUSTRIES INC.. IT IS TO BE USED SOLELY FOR THE PURPOSE PROVIDED, AND IT IS NOT TO BE DISCLOSED TO OTHERS WITHOUT THE PRIOR WRITTEN CONSENT OF KAHLBERG INDUSTRIES INCORPORATED.

Kahlberg
 KAHLBERG INDUSTRIES INC. TWO RIVERS, WISCONSIN 54241

**OUTLINE DIMENSIONS
 P194-07, 08, 09 STROBE LIGHTS**

DR.	DATE	CKD.	SCALE	DRWG. NO.	REV.
ZJN	08/01/13	EMK	N.T.S.	3-6785	