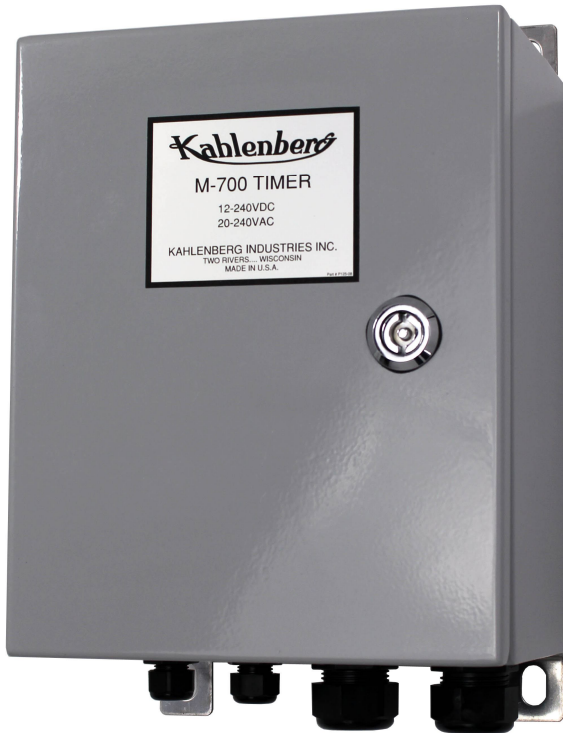


### Model M-700 Alarm Timer

The Kahlenberg M-700 Timer provides an “on-off” adjustable repeating signal for up to 8 alert strobes and/or 8 sound signaling devices. Ideal for use in industrial facilities or any other application requiring the synchronized control of multiple warning devices, the M-700 operates on any common A.C. or D.C. voltage. The M-700 timer relay is turned on and off from a separate maintained switch contact. Once on, the timer circuit immediately activates strobes continuously (if connected), and after 3 second delay begins on/off signaling of connected horns or sound signal devices. A NEMA 4X powdercoated steel enclosure ensures durability and protection against water and dust in interior or outdoor installation.



#### TECHNICAL DATA

Supply Voltage:

12-240 Volts D.C., 20-240 Volts A.C.

Power Consumption: 2VA

Relay Rating: 10A@250V A.C.

Temperature Rating:

0-50 deg. C. (32-122 deg. F)

Timer Settings:

Adjustable 1-10 Sec./Min./Hr., On and Off, Pre-Programmed 3 seconds off, one second on, repeating.

Enclosure:

IP65, NEMA 4, 4X Powdercoated Steel

Net Weight: 2.66 lbs., 1.2 kg.,

Dimensions:

12.4" x 7.9" x 6.4" (315x201x163)

- **SIMULTANEOUSLY CONTROLS 1 TO 8 AUDIBLE AND VISUAL SIGNALING DEVICES**
- **IDEAL FOR INDOOR AND OUTDOOR INSTALLATIONS**
- **POWERED BY ANY COMMON A.C. OR D.C. VOLTAGE**
- **DURABLE WATERTIGHT CONSTRUCTION**
- **SIMPLE, PROGRAMABLE “ON-OFF” RELAY**

**Kahlenberg Industries, Inc.**

1700 12th Street, P.O. Box 358

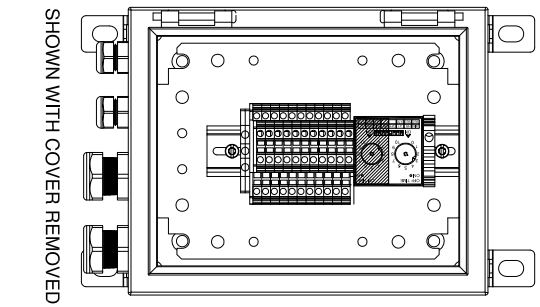
Two Rivers, Wisconsin, 54241

Phone: (920) 793-4507 / Fax: (920) 793-1346

**Website:** [www.kahlenberg.com](http://www.kahlenberg.com)

**Email:** [info@kahlenberg.com](mailto:info@kahlenberg.com)

REV.	BY	DATE	DESCRIPTION	APP'D.



SHOWN WITH COVER REMOVED

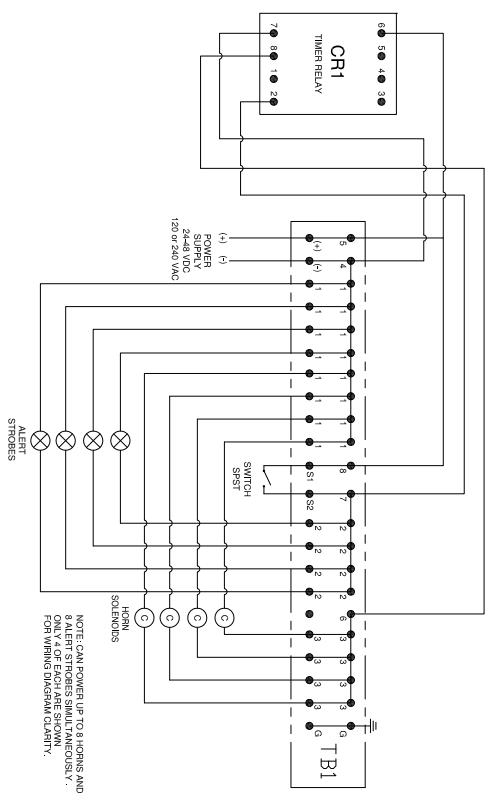
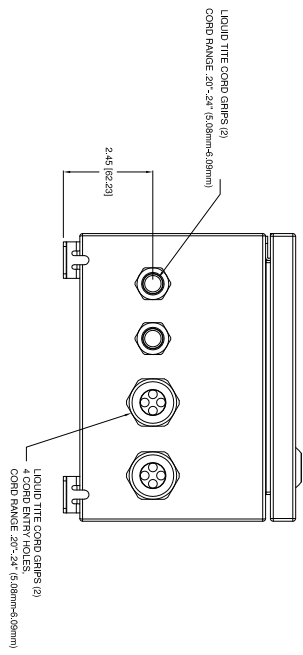
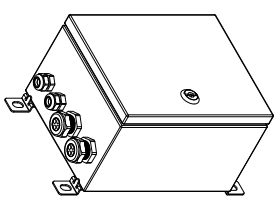
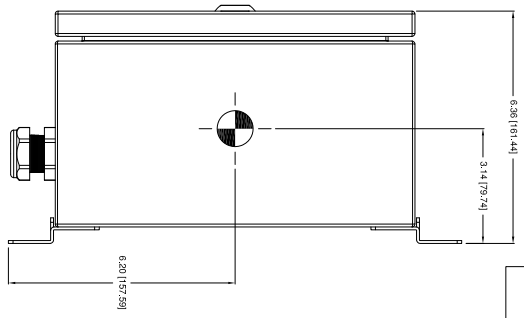
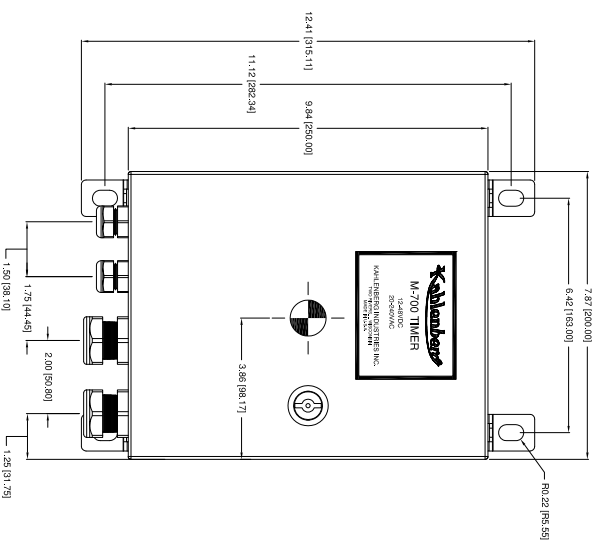
Rated control supply voltage 12-240 VDC, 20-240 VAC 50/60Hz  
 Contact Rating 10A @ 250 VAC  
 Operating temperature: 0°---+50°C, 32°---140°F



Mass = 2.66 pounds  
 Volume = 65.18 cubic inches  
 Surface area = 1348.86 square inches

ENCLOSURE:  
 ENCLOSURE BODY & COVER - 16 GA. [1.5mm] C.R.S.  
 ENCLOSURE INTERNAL PANEL - 14 GA. [2.0mm] C.R.S.  
 IP RATING: IP65  
 NEMA RATING: 4, 4X

FINISH:  
 BODY & COVER - LIGHT GRAY SMOOTH POWDER COAT  
 INTERNAL PANEL - ZINC PLATED  
 WALL MOUNTING BRACKETS & HINGE PINS - NATURAL  
 STRIKER - ZINC PLATED  
 LATCH - CHROME PLATED



**CONFIDENTIAL**

INFORMATION CONTAINED HEREIN IS CONFIDENTIAL. IT IS THE PROPERTY OF KAHLBERG INDUSTRIES INC. IT IS TO BE USED SOLELY FOR THE PURPOSE PROVIDED, AND IT IS NOT TO BE DISCLOSED TO OTHERS WITHOUT THE PRIOR WRITTEN CONSENT OF KAHLBERG INDUSTRIES INCORPORATED.



KAHLBERG INDUSTRIES INC. TWO EVERS, WISCONSIN 54241

**OUTLINE DIMENSIONS**

**M-700 TIMER**

PARTS LIST DRAWING: 3-6774

Copyright Kahleberg Ind. Inc. 2010

DR.	DATE	CKD.	SCALE	DRWG. NO.	REV.
ZJN	06/05/13	EMK	N.T.S.	3-6773	