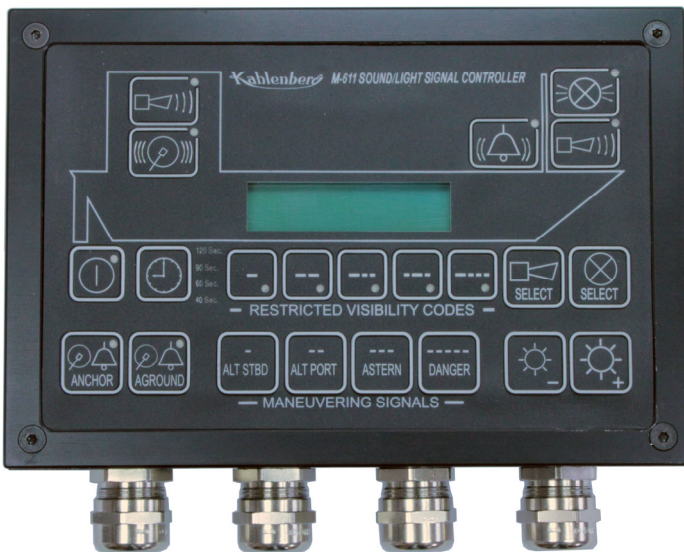


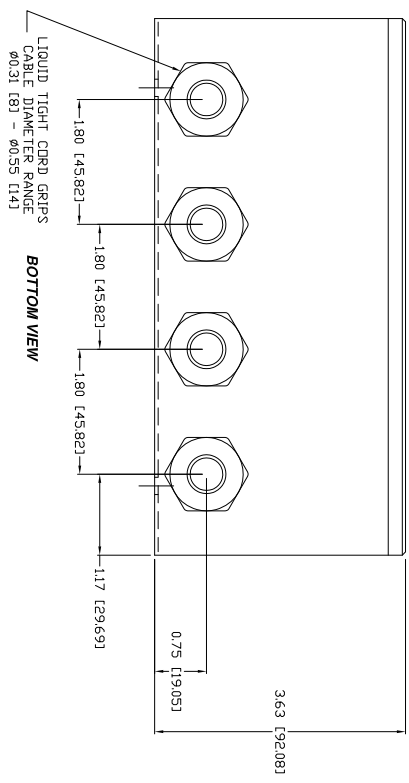
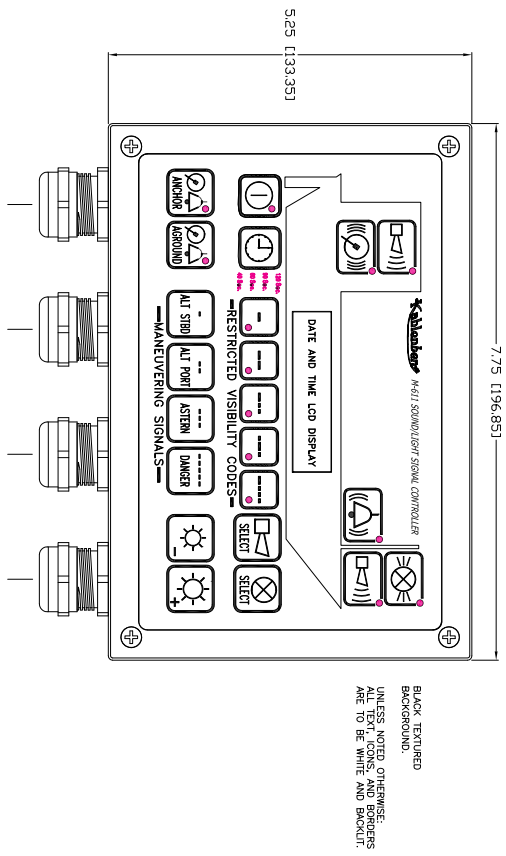
### For Automated Control of Navigational Whistles and Light

The new M-611 Sound and Light Control significantly improves safety by producing automatic sound and light signals required by IMO and SOLAS with a simpler, more user friendly control panel. Producing automated restricted visibility codes, maneuvering codes, general alarm, and abandon ship codes per IMO and SOLAS requirements, the M-611 controls multiple horns, morse light, ship's bell and gong, and can be configured for use with external alarm systems and sound surveillance systems to suit the needs of almost any arrangement of ship systems.

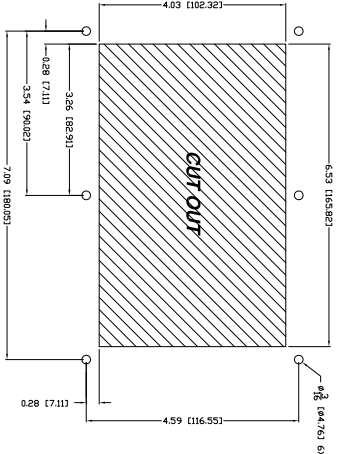
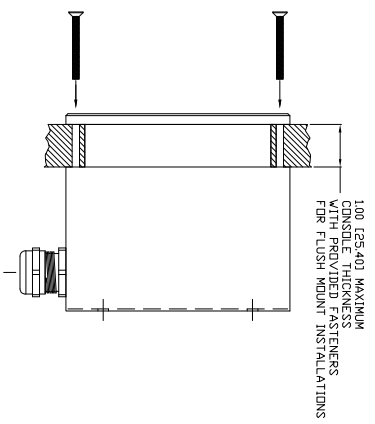
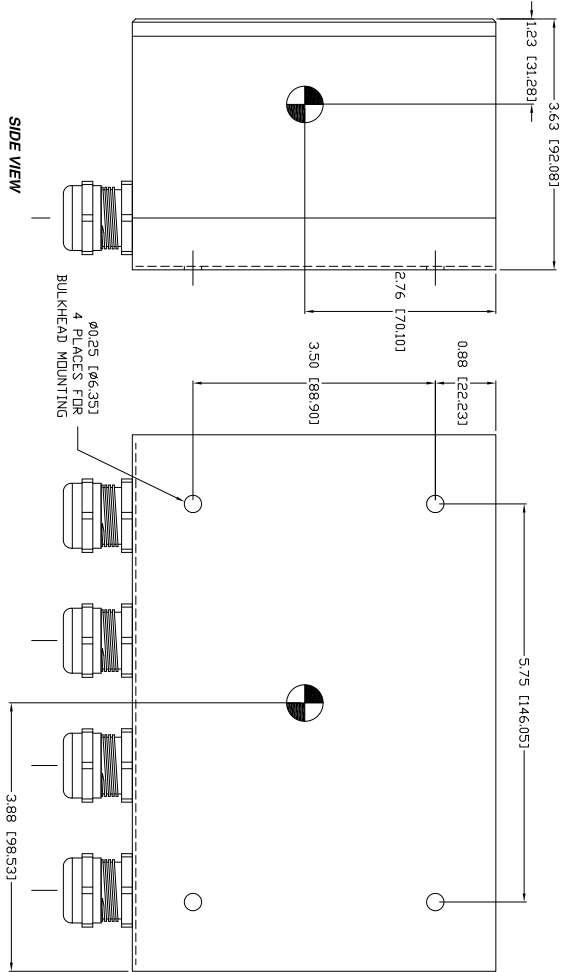


- Ruggedly constructed to withstand the harsh marine environment
- Generates IMO Navigation Rule 35 Automated Signals for Restricted Visibility (40, 60, 90, 120 second cycle times)
- Generates IMO Navigation Rule 34 Maneuvering Codes
- At-Will and Automatic Control of all connected devices (horns, bell, gong, morse light)
- Produces SOLAS General Emergency Alarm and Abandon Ship Codes with external push buttons
- Mute connection for external Sound Surveillance Systems
- Connects to any external device push buttons
- Integrates with External Alarm Systems
- Internal Log Function
- Multiple M-611 Units can be connected for control from multiple locations onboard
- Illuminated, Dimmable Display
- Red LED Indicator Lighting and LCD Display
- Easy to use graphical switch panel

Power Source Required:	100-240 V.A.C. 50/60 Hz AND/OR 8-30 V.D.C., .5 AMP
Switching Capacity of Outputs:	A.C. or D.C., 2 Amps Maximum each
Operating Temperature:	0°C to +70°C [32°F to +158°F]
Enclosure and Bezel: Finish:	IP65, Aluminum Hardcoat black anodized



**MATERIALS & FINISHES**  
 ENCLOSURE: 16 AWG ALUMINUM, HARDCOAT BLACK ANODIZED.  
 MIL SPEC 8625 TYPE 3 CLASS 2 BLACK  
 BEZEL: 1/4" THICK ALUMINUM, HARDCOAT BLACK ANODIZED  
 MIL SPEC 8625 TYPE 3 CLASS 2 BLACK  
 CORD GRIPS: NICKEL PLATED BRASS, 8-14MM EMC W/SHIELD CONTACT



**ENVIRONMENTAL RATINGS**  
 INGRESS RATING: IP65  
 TEMPERATURE RATING: 0° TO 70° CELSIUS  
 WEIGHT  
 2.62lbs. (1.189kgs.)

**ELECTRICAL RATINGS**  
 INPUT: 120/240 V.A.C. 50/60 Hz  
 OUTPUT: 2 AMPS MAXIMUM

REV.	BY	DATE	DESCRIPTION	APP'D.
A	ZN	03/22/10	ADDED CAGE NUMBER	EMK
B	ZN	06/02/10	ADDED CUT OUT DIMENSIONS	EMK
C	ZN	08/31/10	ADDED WEIGHT	EMK
D	EMK	09/18/18	CHANGED SYMBOLS TO IEC 60417	EMK

**OUTLINE DIMENSIONS**  
**M-611 WHISTLE CONTROL**

*Kallenberg*  
 TWO RIVERS, WISCONSIN 54241

CAGE: 75214  
 PARTS LIST DRAWING 3-6542

DR.	DATE	OK'D.	SCALE	DRWG. NO.	REV.
ZJN	09/29/09	EMK	N.T.S.	3-6540	D