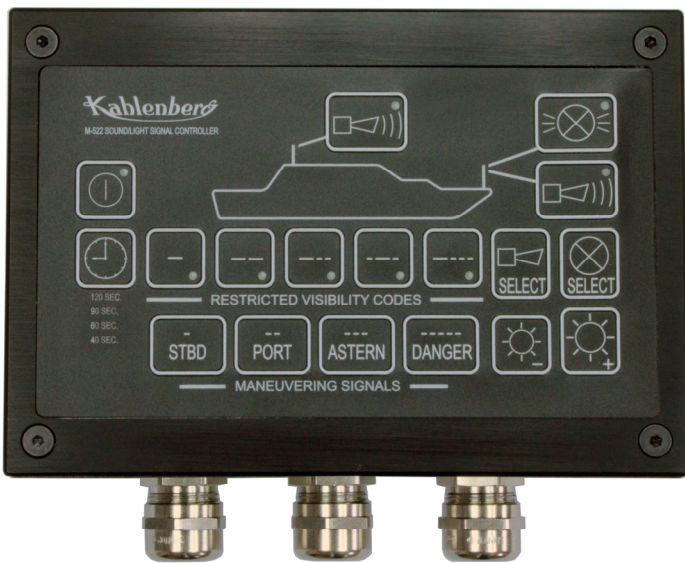


### For Automated Control of Navigational Whistles and Light

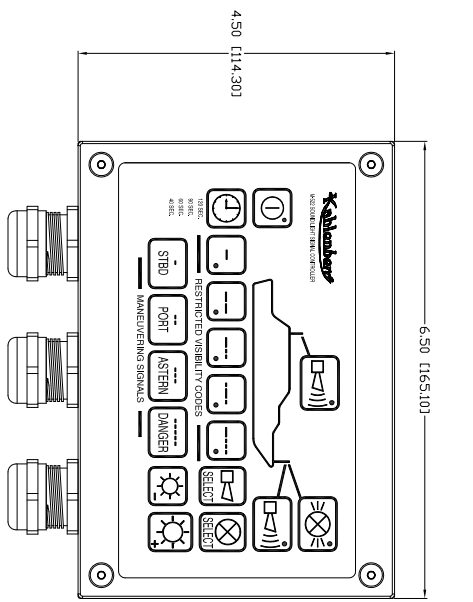
The new M-522 Sound and Light Control significantly improves safety by producing automatic sound and light signals required by IMO and SOLAS with a simpler, more user friendly control panel. Producing automated restricted visibility codes, maneuvering codes, general alarm, and abandon ship codes per IMO and SOLAS requirements, the M-522 controls multiple horns and morse light, and can be configured for use with external alarm systems and sound surveillance systems to suit the needs of almost any arrangement of ship systems. The M-522 is designed for flush console or bulkhead mounting.



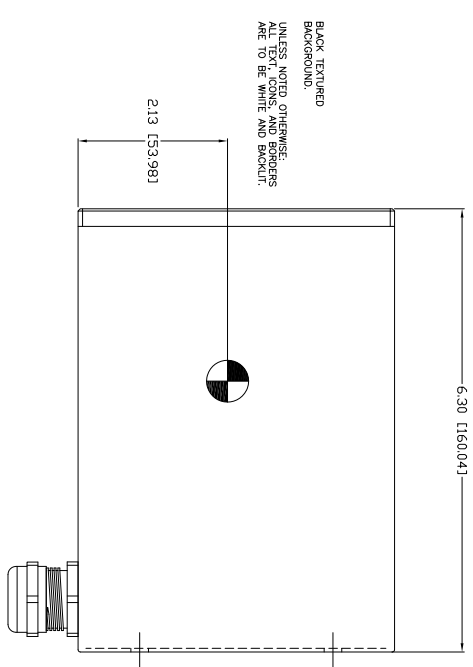
Power Source Required:	100-240 V.A.C. 50/60 Hz AND/OR 8-30 V.D.C., .5 AMP
Switching Capacity of Outputs:	A.C. or D.C., 2 Amps Maximum each
Operating Temperature:	0°C to +70°C [32°F to +158°F]
Enclosure and Bezel: Finish:	IP65, Aluminum Hardcoat black anodized

- Ruggedly constructed to withstand the harsh marine environment
- Generates IMO Navigation Rule 35 Automated Signals for Restricted Visibility (40, 60, 90, 120 second cycle times)
- Generates IMO Navigation Rule 34 Maneuvering Codes
- At-Will and Automatic Control of all connected devices (horns, morse light)
- Produces SOLAS General Emergency Alarm and Abandon Ship Codes with external push buttons
- Mute connection for external Sound Surveillance Systems
- Connects to any external device push buttons
- Integrates with External Alarm Systems
- Multiple M-522 Units can be connected for control from multiple locations onboard
- Illuminated, Dimmable Display
- Dimmable Red LED Indicator Lighting
- Easy to use graphical switch panel

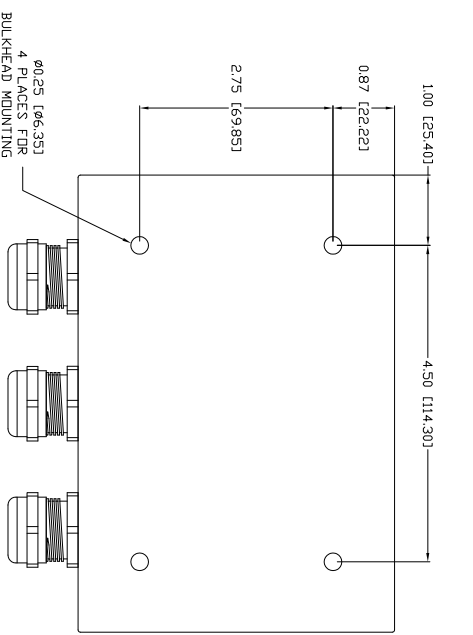
REV.	BY	DATE	DESCRIPTION	APP'D.
A	EJK	9/18/18	CHANGED SYMBOLS TO EC 60417	EJK



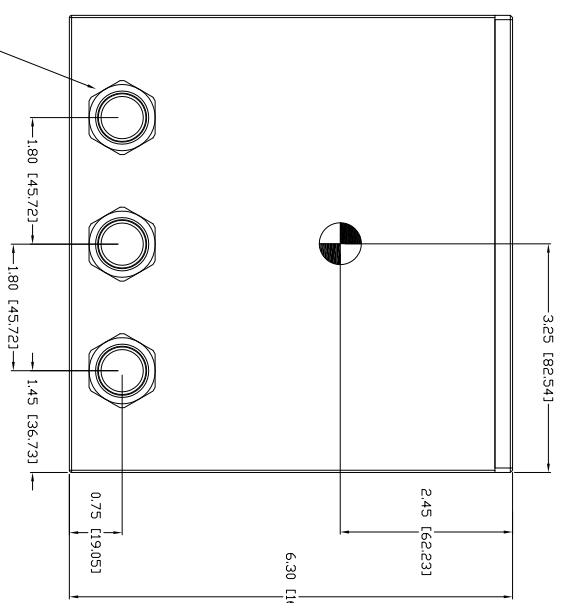
FRONT VIEW



SIDE VIEW

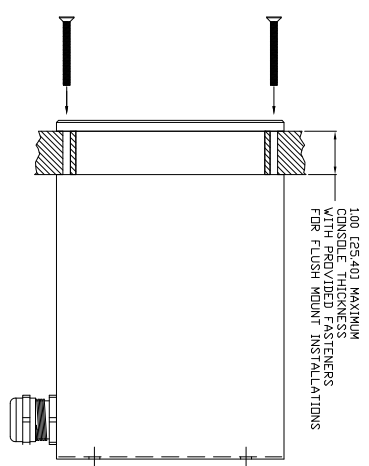


REAR VIEW

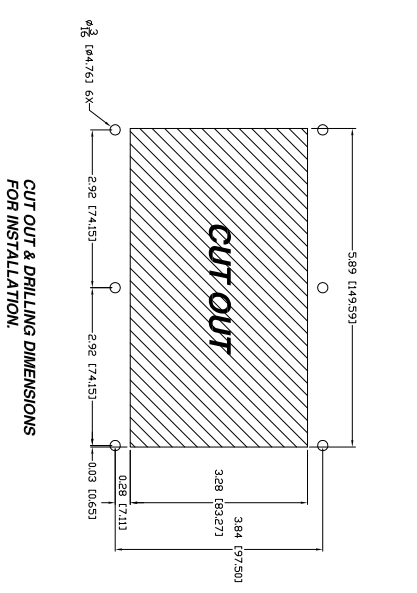


BOTTOM VIEW

LIQUID TIGHT CORD GRIPS  
CABLE DIAMETER RANGE  
Ø0.31 [8] - Ø0.55 [14]



FLUSH MOUNT INSTALLATION



CUT OUT & DRILLING DIMENSIONS FOR INSTALLATION.

**MATERIALS & FINISHES**  
ENCLOSURE: 16 AWG ALUMINUM, HARDCOAT BLACK ANODIZED, MIL SPEC 8625 TYPE 3 CLASS 2 BLACK  
BEZEL: 1/4" THICK ALUMINUM, HARDCOAT BLACK ANODIZED MIL SPEC 8625 TYPE 3 CLASS 2 BLACK  
CORD GRIPS: NICKEL PLATED BRASS, 8-14MM EMC W/SHIELD CONTACT

**ELECTRICAL RATINGS**  
INPUT: 120/240 V.A.C. 50/60 Hz  
OUTPUT: 2 AMPS MAXIMUM

**ENVIRONMENTAL RATINGS**  
INGRESS RATING: IP65  
TEMPERATURE RATING: 0° TO 70° CELCIUS  
WEIGHT: 2.62lbs. (1.189kgs.)

☉ = CENTER OF GRAVITY

  
**OUTLINE DIMENSIONS**  
**M-522 WHISTLE CONTROL**

CAGE: 75214  
 PARTS LIST DRAWING 3-6729

KAHLBERG INDUSTRIES, INC.  
 TWO RIVERS, WISCONSIN 54241

DR.	DATE	OKD.	SCALE	DRWG. NO.	REV.
ZJN	11/29/12	EJK	N.T.S.	3-6728	A