

For Automated Control of Navigational Horns (Whistles) and Lights

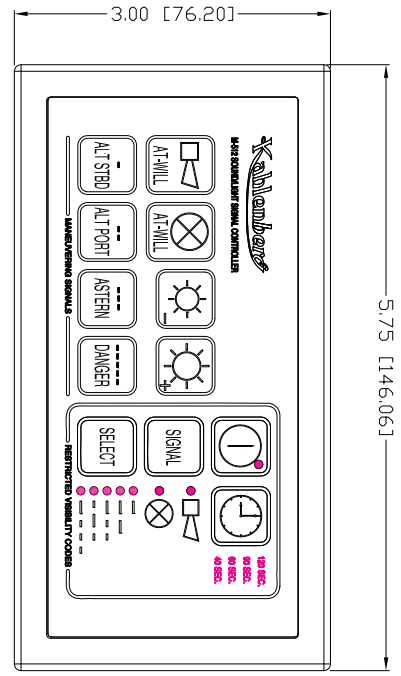
The new M-512 Sound and Light Control significantly improves safety by producing automatic sound and light signals for navigation as required by IMO and SOLAS, with a more user friendly and more compact control panel. Producing automated restricted visibility codes (fog), maneuvering codes and general emergency alarm codes per IMO and SOLAS requirements, the M-512 controls up to two horns, and/or two morse lights. It can also be configured for use with external alarm systems and sound surveillance systems to suit the needs of almost any arrangement of modern ship systems.



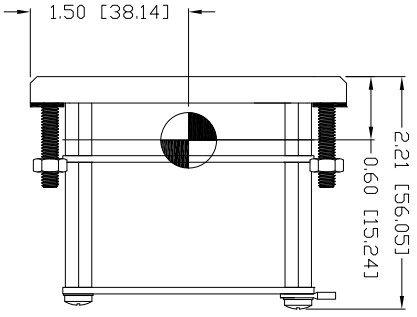
- **At-Will and Automatic Control of up to two horns and/or two morse lights**
- **Connects to any external device push buttons**
- **Generates IMO Navigation Rule 35 Automated Signals for Restricted Visibility (40, 60, 90, 120 second cycle times)**
- **Generates IMO Navigation Rule 34 Maneuvering Codes**
- **Produces SOLAS General Emergency Alarm Codes with external push buttons, or passes through GEA from external alarm systems**
- **Mute connection for external Sound Surveillance Systems**
- **Multiple M-512 Units can be connected for control from multiple locations onboard**
- **Illuminated, Dimmable Display**
- **CAN connection allows for function of M-512 to be activated by PC or other external switches**

Power Source Required:	12-24 Volts D.C.
Switching Capacity of Outputs:	2 Amps Each, 12-240 V. A.C/D.C.
Operating Temperature:	0°C to +70°C [32°F to +158°F]
Faceplate Switch Assembly:	IP65 (Installed, Faceplate) Aluminum
Finish:	Hardcoat black anodized
Dimensions:	146mm x 76mm x 62mm depth (5.75" x 3" x 2.42")
Weight:	.32 kg, (.7 lbs.)

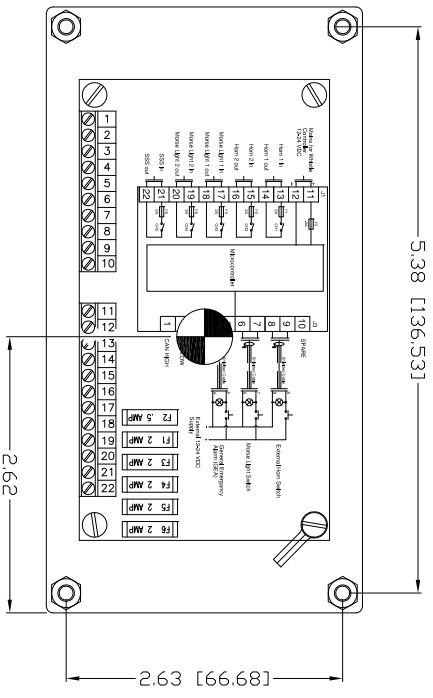
REV.	BY	DATE	DESCRIPTION	APP'D.
A	ZN	11/05/14	SWITCHED F1 & F2 LOCATIONS ON WIRING DIAGRAM	EMK
B	ZN	03/10/15	2.63 CUTOUT DIMENSION WAS 2.38	EMK
C	ZN	09/24/18	CHANGED ARTWORK SIZE AND SYMBOLS TO IEC 60417	EMK
D	ZN	10/29/18	ADDED CENTER OF GRAVITY	EMK



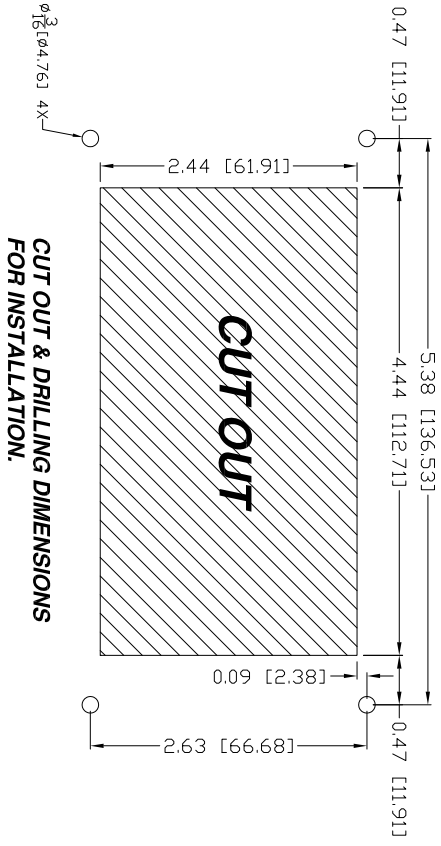
FRONT VIEW



SIDE VIEW



REAR VIEW



CUT OUT & DRILLING DIMENSIONS FOR INSTALLATION.

MATERIALS & FINISHES
 BEZEL: 1/4" THICK ALUMINUM, HARDCOAT BLACK ANODIZED
 MIL SPEC 8625 TYPE 3 CLASS 2 BLACK

ELECTRICAL RATINGS
 INPUT: 12 & 24 VDC
 OUTPUT: 2 AMPS MAXIMUM
 SCREW TERMINALS: 16-28awg

ENVIRONMENTAL RATINGS
 INGRESS RATING: IP65 (Faceplate When Mounted)
 TEMPERATURE RATING: 0°F TO 158°F (0° TO 70° CELCIUS)

WEIGHT
 0.70lbs. (0.32kgs.)

MEMBRANE SWITCH PANEL
 BLACK TEXTURED
 BACKGROUND.

ALL TEXT, ICONS, AND BORDERS
 ARE WHITE AND BACKLIT.

= CENTER OF GRAVITY

CAGE: 75214
 PARTS LIST DRAWING 3-6870

Kahlenberg
 KAHLBERG INDUSTRIES, INC.
 TWO RIVERS, WISCONSIN 54241

OUTLINE DIMENSIONS
M-512 WHISTLE CONTROL

DR.	DATE	OKD.	SCALE	DRWG. NO.	REV.
ZJN	06/19/14	EMK	N.T.S.	3-6871	D