

Model KB-12E Electronic/Manual Ship Bells

The Kahlenberg KB-12E Ship's Bell package includes a KB-E marine duty outdoor speaker which outputs a mechanical "bell" sound signal upon application of A.C. or D.C. current to the unit as specified. The KB-12 Manual Bell is included in this package in order to satisfy USCG and IMO rules that require the bell be operable manually without electric power. The KB-12 is of all stainless steel construction and includes a manual pull lanyard. This unique combination of items allows for simple electronic operation from an automated signal controller AND manual operation of the bell if required, yet avoids the potential for condensation or ingress of water into an electro-mechanical bell unit.



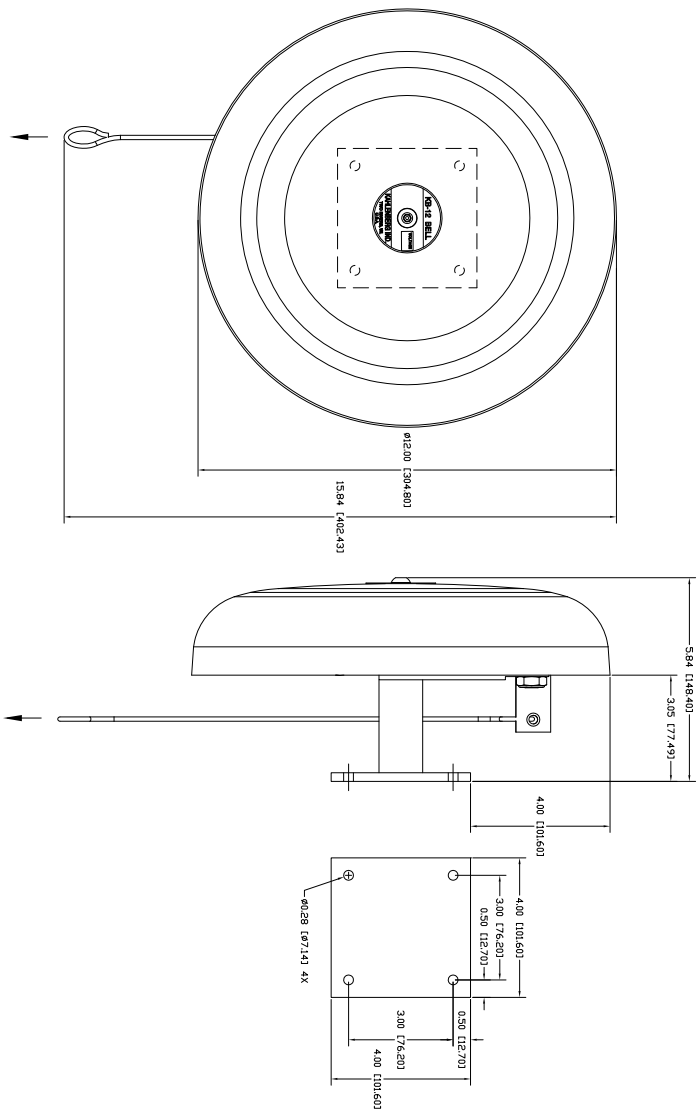
KB-E Electronic Bell



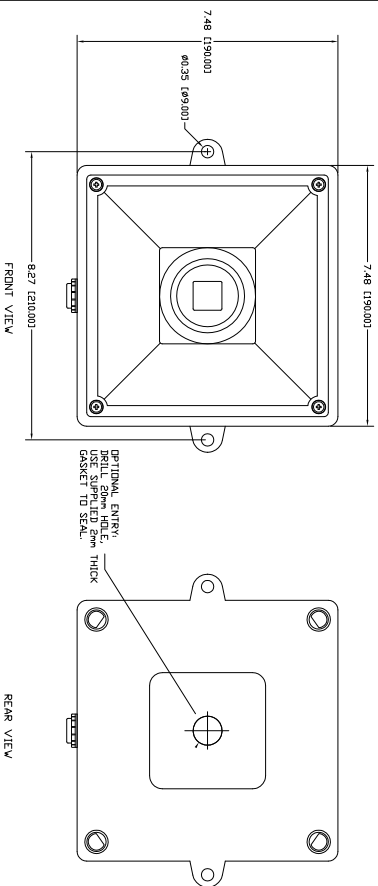
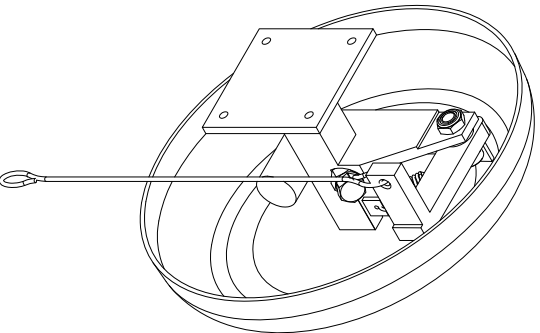
KB-12 Manual Bell

- **ALLOWS FOR AUTOMATED ELECTRONIC AND MANUAL OPERATION OF BELLS**
- **HIGH IMPACT ABS AND STAINLESS STEEL CONSTRUCTION**
- **FOR VESSELS OVER 20 METERS IN LENGTH**
- **MEETS OR EXCEEDS IMO AND USCG REQUIREMENTS**
- **HIGHLY RELIABLE, NO MAINTENANCE, NO ELECTRO-MECHANICAL COMPONENTS**

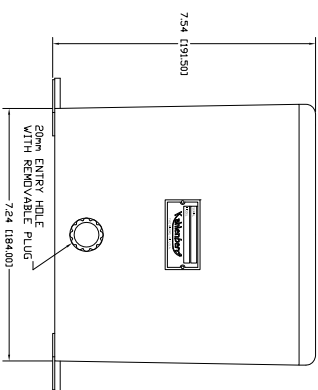
REV.	BY	DATE	DESCRIPTION	APP'D.
A	ZN	07/17/15	ADDED REAR VIEW AND NOTED OPTIONAL ENTRY AND GASKET	EMK



MECHANICAL BELL
 MATERIAL: STAINLESS STEEL
 dB: 110dBA @ 1m
 WEIGHT: 13.9 Lbs/6.29 kg



ELECTRONIC BELL
 Nominal output: 113dB(A) @ 1m +/- 3dB - Bell Tone
 Volume: Max: 121dB(A) Effective range: 300m @ 1KHz
 Available Voltages : 115V ac; 230V ac; 24V dc
 Ingress protection: IP66
 Housing material: High Impact UL94 V0 & 5VA FR ABS
 Colour: Grey (RAL7039)
 Cable entries: 2 x M20 clearance gland knockouts
 In side & back
 Terminals: 0.5 to 4.0mm² cables.
 Operating temperature: -25 to +55°C
 Weight : 2.70kg
 Voltage: Current:
 115V ac 50/60Hz +/-10% 542mA
 230V ac 50/60Hz +/-10% 517mA
 24V dc 1.51A



CONFIDENTIAL

INFORMATION CONTAINED HEREIN IS CONFIDENTIAL. IT IS THE PROPERTY OF KAHLEBERG INDUSTRIES INC. IT IS TO BE USED SOLELY FOR THE PURPOSE PROVIDED, AND IT IS NOT TO BE DISCLOSED TO OTHERS WITHOUT THE PRIOR WRITTEN CONSENT OF KAHLEBERG INDUSTRIES INCORPORATED.



OUTLINE DIMENSIONS
 KB-12E

© CopyRight Kahleberg Ind. Inc. 2010

DR.	DATE	CKD.	SCALE	DRWG. NO.	REV.
ZJN	07/28/14	EMK	N.T.S.	3-68883	A