

# Omni Directional Wide Area Warning System

\*EFFECTIVE OUTDOOR COVERAGE RADIUS OF UP TO 3 KILOMETERS



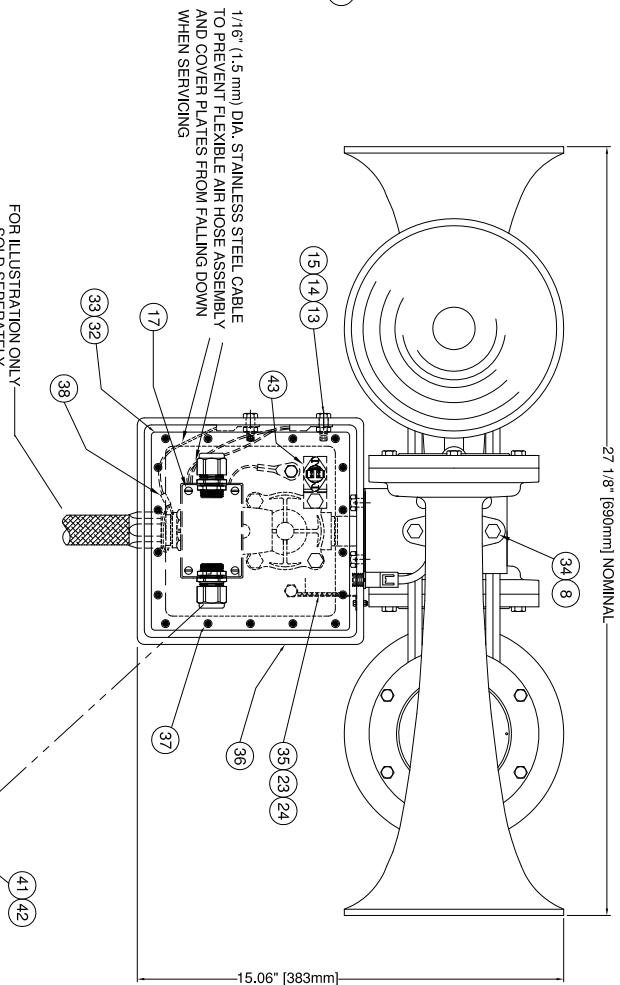
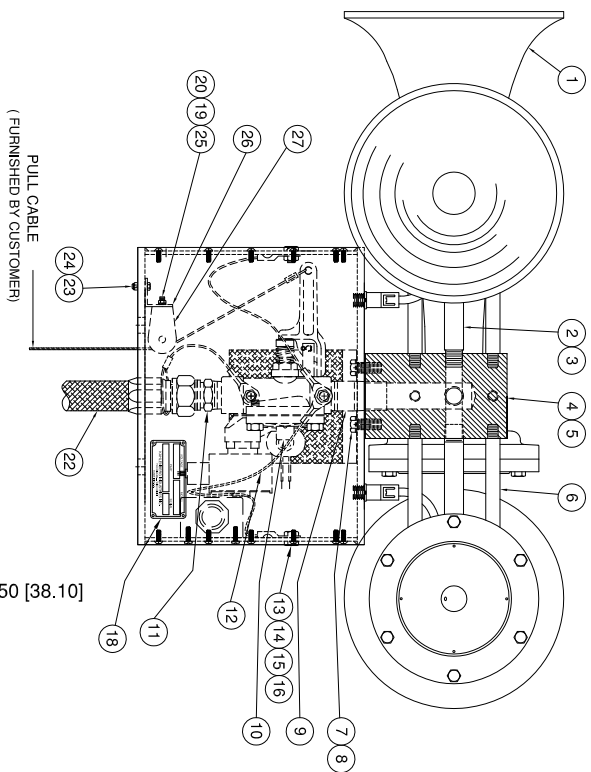
- Single tone, 311 Hz fundamental frequency, engineered to produce full harmonic contents up to 12 octaves enhancing warning effectiveness
- Extremely durable, ideal for use in industrial outdoor environments.
- Designed for top of pole mount
- Thermostatically controlled heaters included in horns and combination manual/electric valve enclosure
- Hermetically sealed stainless steel sounding diaphragm assembly
- Solenoid/manual combination valve comes standard with explosion proof coil
- Constructed of cast aluminum with stainless steel hardware

\* Signal will produce a sound pressure level of approximately 70 dB @ 3 km in calm, cool conditions without topographical interference. Signal strength at distance can vary dramatically depending on environmental and geographical conditions. Please consult factory for more detailed information.

<b>Operating Medium:</b> <b>Control:</b>	Air, nitrogen, CO <sub>2</sub> - 3/4" NPT Air Inlet Manual and Electric Combination valve
<b>SPL (Loudness):</b> <b>Air Consumption:</b> <b>Electric Power Required:</b>	140 ± 1 dBA on total @ 1 meter 44 L/sec [96 SCFM] @ 7 bar [100 PSIG] 120 VAC, 290 Watt Heater, Solenoid Valve 16VA holding, 40 VA inrush
<b>Audibility:</b> <b>Fundamental Frequency:</b> <b>Tone (Musical Note):</b>	3 km in still air 311 Hz D4 sharp
<b>Operating Pressure:</b> <b>Operating Temperature:</b>	7 – 10 bar [100 – 150 PSI] -40°C to +85°C [-40°F to +185°F]
<b>Finish:</b> <b>Degree of Protection:</b>	Primed and painted safety red polyurethane IP 56
<b>Basic Dimension:</b>	690x690x383mm [27x27x15"]

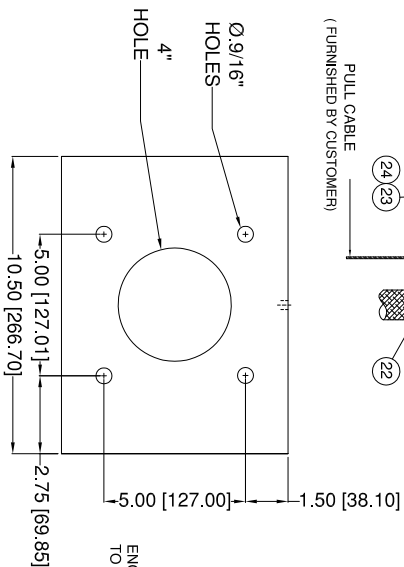
REV.	BY	DATE	DESCRIPTION	APP'D.
A	EMK	10/09/18	TERMINAL BLOCK MOUNT, ADDED P1-33-06	ZJN

AIR HORN SYSTEM ASSEMBLY WITH ONE AIR HORN REMOVED TO SHOW PARTS



ENCLOSURE BOTTOM VIEW TO SHOW MOUNTING PATTERN

SEE DRAWING 3-7218 FOR THE WIRING DIAGRAM  
TOTAL HEATER CAPACITY: 290W, 120V



JUNCTION BOX SCALE 2X TOP VIEW

ALL DIMENSIONS ARE FOR REFERENCE ONLY, UNLESS OTHERWISE SPECIFIED.

REF PART	DESCRIPTION	MATERIAL	SPECIFICATION	QTY	REF PART	DESCRIPTION	MATERIAL	SPECIFICATION	QTY
1	KSH-1A	MODEL KSH-1A AIR HORN		1	22	68928	COVER PLATE	304 L.D. HOSE ASSY WITH SWIVEL ENDS	ASSEMBLY
2	18157	3/8" NPT X 4" NIPPLE	US. CSA CERTIFIED	4	23	10603	P.H. SLOT MACH. SCREW 10-24 X .58"	ANSI B18	8
3	66112	AIR FLANGE NUT	US. S30300	4	24	15834	LOCK NUT 10-24	STAINLESS STEEL	3
4	66110	FOUR WAY MANIFOLD	ASTM B209	1	25	68088	P.H. SLOT MACH. SCREW 10-24 X .38"	ANSI B18	1
5	66114	MANIFOLD GASKET	COOK - NEOPRENE	1	26	29235	ANGLE BRACKET	COMMERCIAL	1
6	66114	HEXAGONAL STUD	US. S30300	8	27	68058	TOP MOUNT BRACKET RILEY	ASSEMBLY	1
7	W009-02155	H.H. CAP SCREW 3/8" X 1.6 X 1"	ASTM F309C	4					
8	30122	LOCK WASHER 3/8"	ASME B18	12					
9	10955	3/4" NPT X 2" NIPPLE	US. S31600	1					
10	182705P	3/4" NPT COMBINATION VALVE, 120 V	DWG NO. 182705P	1	32	68902C	COVER PLATE	HOT ROLLED ALD. STEEL	2
11	182705P	STAINLESS STEEL ZINC PLATED	US. S31600	1	33	68902C	COVER GASKET	COOK - NEOPRENE	2
12	182705P	STAINLESS STEEL ZINC PLATED	US. S31600	1	34	W013-00355	HEX NUT 3/8"-16	ASTM F304	8
13	13105	H.H. CAP SCREW 5/16" X 1.8 X 1"	ASTM F309C	4	35	18121	HEATER 150W/230V W/ THERMOSTAT	STAINLESS STEEL	1
14	68920	ELECTRIFOR 1/16" CABLE W. 5/16" STUD SIZE	ASTM F594	5	36	68920	ENCLOSURE TO HOUSE SOLENOID	ASSEMBLY	1
15	40055	LOCK NUT 5/16" X 1.8	ANSI B18	3	37	W102-00355	P.H. SLOT MACH. SCREW 8-32 X 1/2"	HOT ROLLED ALD. STEEL	1
16	W018-00155	P.H. SLOT MACH. SCREW 6-32 X 1/2"	ANSI B18	4	38	68954	LOOP SLEEVE FOR 1/16" CABLE	STAINLESS STEEL	38
17	85601	MAKERS LATE	ANSI B18	3	39	87899	1/2" NPT LIQUID TIGHT CONNECTOR	ZINC PLATED COPPER	2
18	P1-33-08	LOCK WASHER #10	ANSI B18	1	40	18137	JUNCTION BOX	PLASTICS	1
19	W018-00355	HEX NUT 10-24	ANSI B18	1	41	18310	TERMINAL BLOCK 5 POLES, 20 A	US. CSA CERTIFIED	1
20	W018-00355	HEX NUT 10-24	ANSI B18	1	42	P398-07	THERMOSATAVI	STAINLESS STEEL	2
					43			ASSEMBLY	1

CAGE: 75214

KAHLBERG INDUSTRIES INC. TWO RIVERS, WISCONSIN 54241



OUTLINE DIMENSIONS / PARTS LIST  
MODEL K4-1-ENHC AIR HORN  
WIDE AREA WARNING STATION

DR.	DATE	CKD.	SCALE	DRWG. NO.	REV.
ZJN	02/07/18	EMK	N.T.S.	3-7216	A