

Directional, Single Tone Industrial Air Horn

*EFFECTIVE OUTDOOR COVERAGE OF UP TO 3.0 KILOMETERS



- Ideal for outdoor Industrial applications
- Single tone, 311 Hz fundamental frequency, engineered to produce full harmonic contents up to 12 octaves which greatly enhance warning effectiveness.
- Horn is energy efficient with hermetically sealed diaphragm assembly which operates on a side range of pressure without tuning or adjustment.
- Horn construction: High strength aluminum casting, stainless steel diaphragm discs and fasteners.

* Signal will produce a sound pressure level of approximately 70 dB @ 3 km in calm, cool conditions without topographical interference. Signal strength at distance can vary dramatically depending on environmental and geographical conditions. Please consult factory for more detailed information.

Control:	Manual, solenoid or combination valve
SPL (Loudness) on Total: Operating Medium: Air Consumption:	140 ± 1 dBA @ 1 meter Air, nitrogen, CO ₂ , 1/2" NPT inlet 11 L/Sec [24 SCFM] @ 7 bar [100 PSIG]
Audibility: Fundamental Frequency: Tone (Musical Note):	3.0 km on still air 311 Hz ± 10 Hz E ^b [E-flat]
Operating Pressure: Operating Temperature:	3 – 10 bar [50 – 150 PSI] -40°C to +85°C [-40°F to +185°F]
Finish: Degree of Protection:	Primed and painted red alkyd enamel IP 54
Basic Dimension: Net Weight:	432x230x229mm [17x8x9"] 3.2 kg [7 lbs]

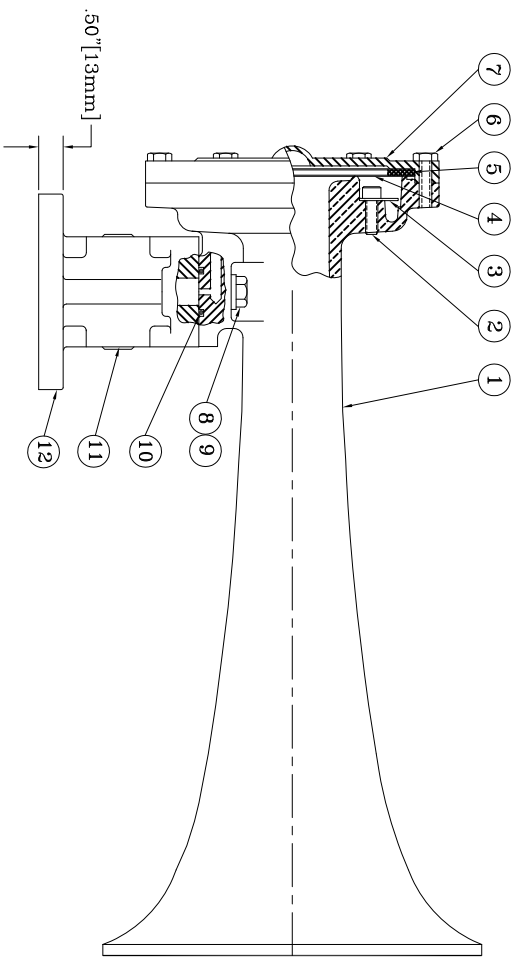
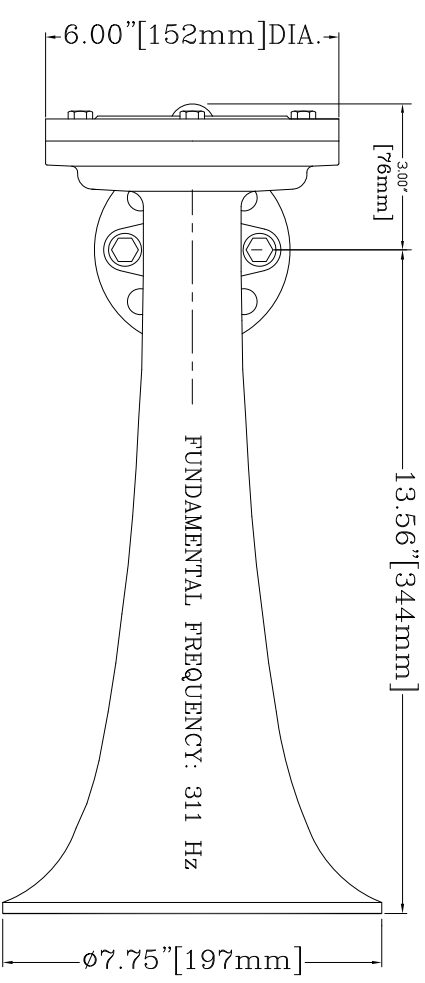
Kahlenberg Industries, Inc.

1700 12th Street, P.O. Box 358
Two Rivers, Wisconsin, 54241

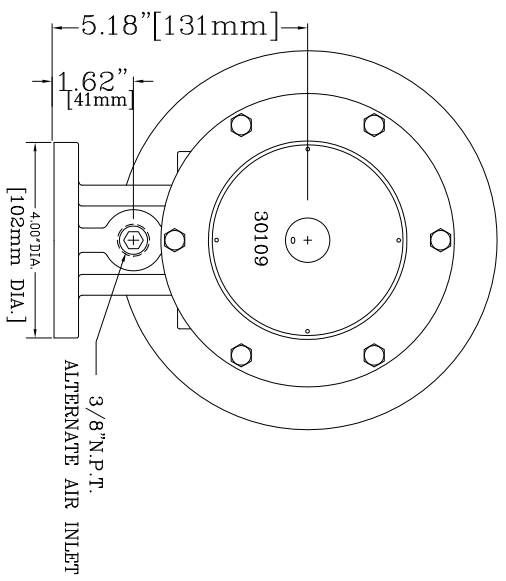
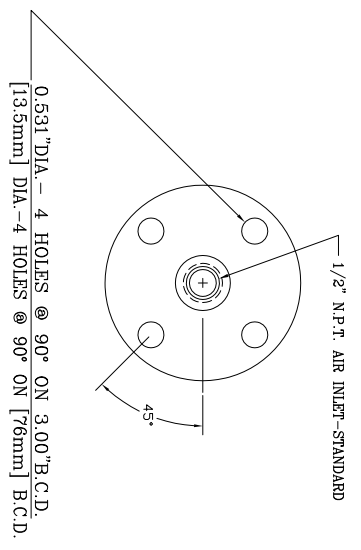
Phone: (920) 793-4507 / Fax: (920) 793-1346

Website: www.kahlenberg.com **Email:** info@kahlenberg.com

REV.	BY	DATE	DESCRIPTION	APP'D.



REF PART	DESCRIPTION	MATERIAL	SPECIFICATION	QTY
1	BELL BODY No. 1	DIE CAST ALUMINUM	ASTM-B26-65	1
2	SOCKET HD. CAP SCREW	STAINLESS STEEL	ASTM F594	3
3	DIPFUSER	STAINLESS STEEL	UNS-S30400	1
4	DIAHRAGM DISC	STAINLESS STEEL	UNS-S30100	2
5	CUSHION RING	SILICONE RUBBER	ASTM D2000	1
6	HEX HEAD CAP SCREW	STAINLESS STEEL	ASTM F593C	6
7	DIAHRAGM CAP	DIE CAST ALUMINUM	ASTM-B26-65	1
8	HEX HEAD CAP SCREW	STAINLESS STEEL	ASTM F593C	2
9	LOCKWASHER	STAINLESS STEEL	ASA B27.1	2
10	O RING	BUNA N	ML STD 417 SB	1
11	PIPE PLUG 3/8" N.P.T.	ALLOY STEEL	ASA B18.8	2
12	BASE-SINGLE TONE	CAST ALUMINUM	UNS A03562	1



CONFIDENTIAL

INFORMATION CONTAINED HEREIN IS CONFIDENTIAL. IT IS THE PROPERTY OF KAHLBERG INDUSTRIES INC. IT IS TO BE USED SOLELY FOR THE PURPOSE PROVIDED, AND IT IS NOT TO BE DISCLOSED TO OTHERS WITHOUT THE PRIOR WRITTEN CONSENT OF KAHLBERG INDUSTRIES INCORPORATED.

KAHLBERG INDUSTRIES INC. TWO RIVERS, WISCONSIN 54241



OUTLINE DIMENSIONS / PARTS LIST
MODEL K-1 AIR HORN

DR.	DATE	CKD.	SCALE	DRWG. NO.	REV.
ZJN	09/19/13	EMK	N.T.S.	30231	