

Model D-330 Air Horn

The Kahlenberg D-330 Air Horn has been designed to minimize air consumption, and maximize sound pressure output, while retaining the superior finish and durable construction Kahlenberg Air Horns are famous for. The D-330 is lighter, and smaller than other horns of similar output, yet is certified to IMO Requirements for vessels up to 75 Meters in length, and can be powered by very small compressed air systems to minimize associated cost and space requirements on board.



- **FOR VESSELS LESS THAN 75 METERS IN LENGTH**
- **MEETS OR EXCEEDS IMO REQUIREMENTS**
- **LOW AIR CONSUMPTION, OPERATES ON A WIDE RANGE OF AIR PRESSURE**
- **HIGHLY RELIABLE, VIRTUALLY NO MAINTENANCE**

TECHNICAL DATA

Fundamental Frequency: 330 & 280 Hz

S.P.L. (1/3 Octave @ 1 Meter): 133 dB
S.P.L. (dB(A)): 136 dB

Air Consumption:
18 C.F.M. @ 100 p.s.i., 8.4 l/s @ 7 bar

Air Pressure Required:
50 to 200 p.s.i., 3.5 to 14 bar
(Higher pressures with optional regulators)

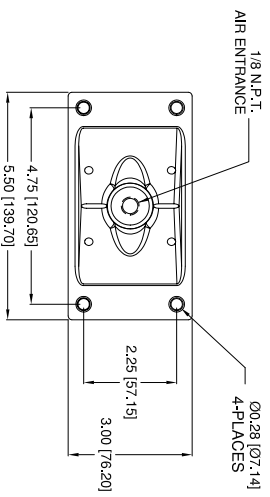
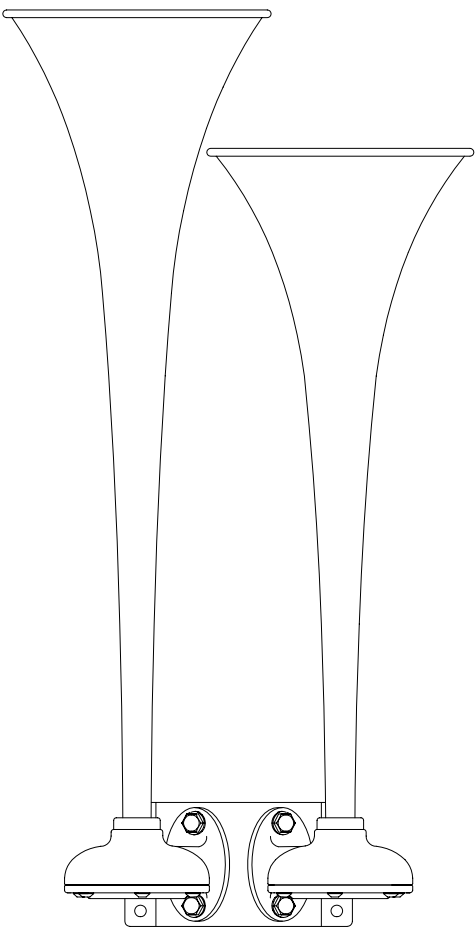
Electrical Power Required:
Any standard A.C. or D.C. Voltage

Material: Cast Bronze and Spun Brass

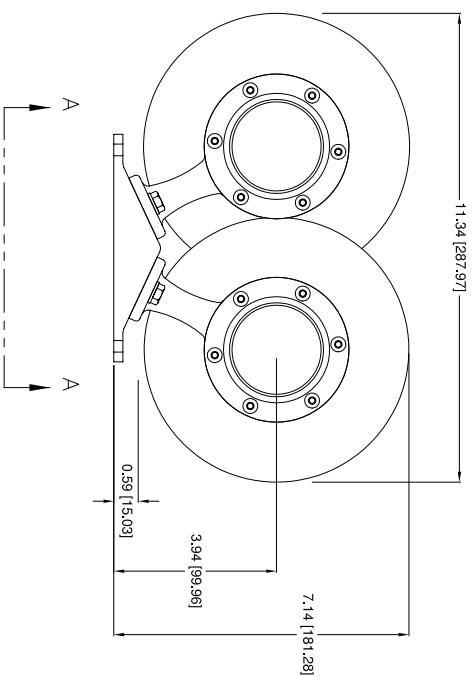
Net Weight: 9 lbs., 4.3 kg.,

Finishes:
Kahlenberg Chrome Plate, TGIC Sky White Powdercoat, Gold or Black Chrome PVD

Dimensions:
20.5" x 15.5" x 8.5" (524x394x217)



VIEW "A" "A"



TECHNICAL DATA

Frequency: 330 Hz & 280 Hz
 Sound Pressure Level (1/3 octave at 1 meter): 133.2 dB
 Sound Pressure Level (dB(A) @ 1 meter): 136.0 dB
 Air Consumption: 18.2 C.F.M. @ 100 P.S.I.
 Air Pressure Req: 50 to 200 P.S.I.
 Electric Power: N/A
 Material: Spun Brass and Cast Bronze
 Net Weight: 9.00 Lbs.
 Shipping Weight: 14 Lbs.

CONFIDENTIAL

INFORMATION CONTAINED HEREIN IS CONFIDENTIAL. IT IS THE PROPERTY OF KAHLBERG INDUSTRIES INC. IT IS TO BE USED SOLELY FOR THE PURPOSE PROVIDED, AND IT IS NOT TO BE DISCLOSED TO OTHERS WITHOUT THE PRIOR WRITTEN CONSENT OF KAHLBERG INDUSTRIES INCORPORATED.

© Copyright Kahlberg Ind. Inc. 2010



**OUTLINE DIMENSIONS
D-330 AIRHORN**

REV.	BY	DATE	DESCRIPTION	APP'D.
ZJN	03/29/11	EMK	N.T.S.	3-6656

DR.	DATE	CKD.	SCALE	DRWG. NO.	REV.
ZJN	03/29/11	EMK	N.T.S.	3-6656	