

Marine and Industrial Alarm System

*EFFECTIVE OUTDOOR COVERAGE OF UP TO 1 KILOMETER



- This high quality, resilient air horn is perfect for engine room, fire alarm and general industrial signaling applications
- Ideal for use in hazardous and corrosive environments
- Efficient design with low air consumption
- Fine tuning capability with adjustable ring
- Available in single, dual and omni-directional design
- Also available as a kit with solenoid and/or manual valve and mounting bracket
- Horn construction: Durable, solid cast bronze bell with stainless steel diaphragm disc

* Signal will produce a sound pressure level of approximately 70 dB @ 1 km in calm, cool conditions without topographical interference. Signal strength at distance can vary dramatically depending on environmental and geographical conditions. Please consult factory for more detailed information.

Control:	Manual, solenoid or combination valve
SPL (Loudness) on Total:	132 ± 1 dBA @ 1 meter
Operating Medium:	Air, nitrogen, CO ₂ , 3/8" NPT inlet
Air Consumption:	7 L/sec [14 SCFM] on 7 bar [100 psi]
Audibility:	1 km on still air
Fundamental Frequency:	745 Hz ± 20 Hz
Tone (Musical Note):	F ₅ sharp
Operating Pressure:	3 – 10 bars [50 – 150 PSI]
Operating Temperature:	-20°C to +80°C [-4°F to +176°F]
Finish:	Powder coated red
Degree of Protection:	IP 54
Basic Dimension:	120x102X114mm
Net Weight:	3.2 lbs [1.5kg]

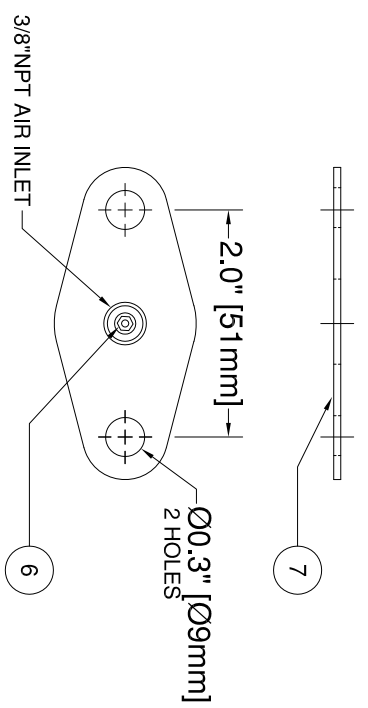
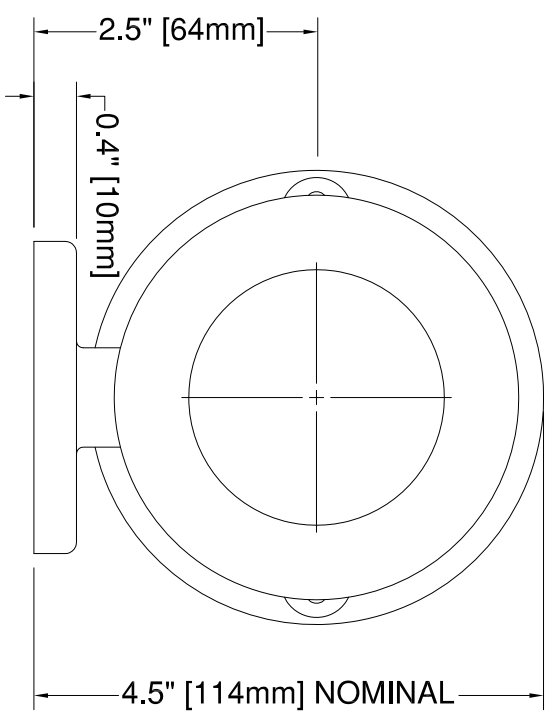
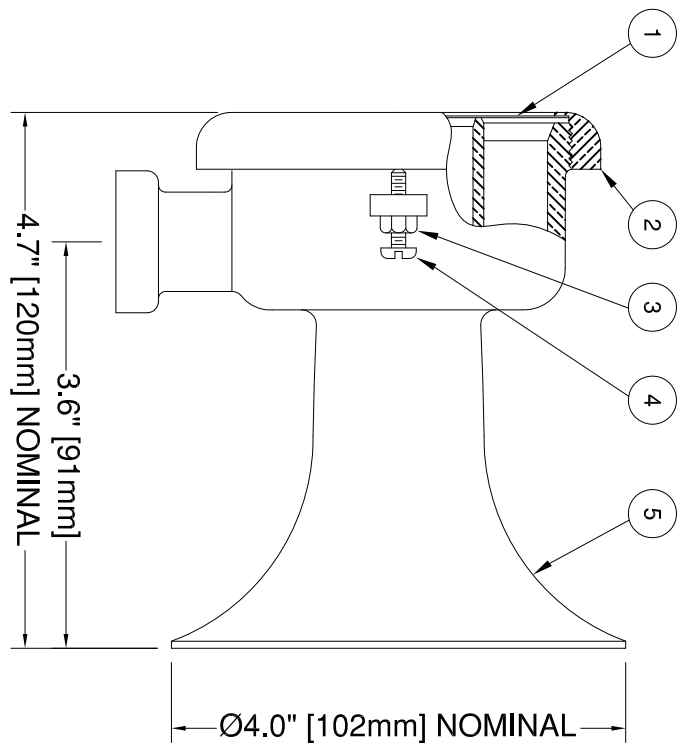
Kahlenberg Industries, Inc.

1700 12th Street, P.O. Box 358
Two Rivers, Wisconsin, 54241

Phone: (920) 793-4507 / Fax: (920) 793-1346

Website: www.kahlenberg.com **Email:** info@kahlenberg.com

REV.	BY	DATE	DESCRIPTION	APP'D.



SEE DWG NO: 31111 FOR AIR HORN CONTROLS
SEE DWG NO: 31800 FOR TYPICAL MODEL "CA" INSTALLATION

REF PART	DESCRIPTION	MATERIAL	SPECIFICATION	QTY
1	31003 DIAPHRAGM DISC 0.018" THICK	STAINLESS STEEL	ASTM-A167	1
2	31002 ADJUSTING RING	BRONZE	SAE-40	1
3	31005 LOCKNUT 10-32	BRASS	ASTM F594	2
4	31004 MACHINE SCREW, 10-32x1"	BRASS	ASA B18.6	2
5	31001 BELL BODY	BRONZE	SAE-40	1
6	31006 RESTRICTOR, 3/32"	BRASS	ASTM-B16	1
7	31013 GASKET	CORK/NEOPRENE	COMMERCIAL	1

ALL DIMENSIONS SHOWN ARE FOR REFERENCE ONLY, UNLESS OTHERWISE SPECIFIED

CONFIDENTIAL

INFORMATION CONTAINED HEREIN IS CONFIDENTIAL, IT IS THE PROPERTY OF KAHLBERG INDUSTRIES INC.. IT IS TO BE USED SOLELY FOR THE PURPOSE PROVIDED, AND IT IS NOT TO BE DISCLOSED TO OTHERS WITHOUT THE PRIOR WRITTEN CONSENT OF KAHLBERG INDUSTRIES INCORPORATED.



OUTLINE DIMENSIONS / PARTS LIST
MODEL CA SINGLE TONE AIR HORN 745 HZ

CAGE: 75214

Copyright Kahlberg Ind. Inc. 2010

DR.	DATE	CKD.	SCALE	DRWG. NO.	REV.
ZJN	09/19/13	EMK	N.T.S.	31000	