

## Marine and Industrial Alarm System

\*EFFECTIVE OUTDOOR COVERAGE OF UP TO 1 KILOMETER (BI-DIRECTIONAL)

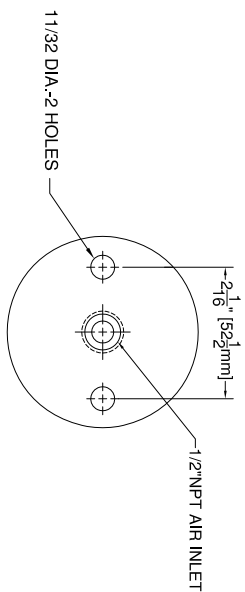
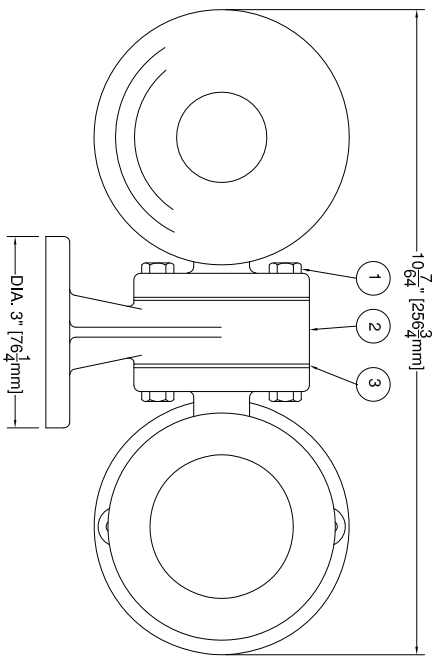
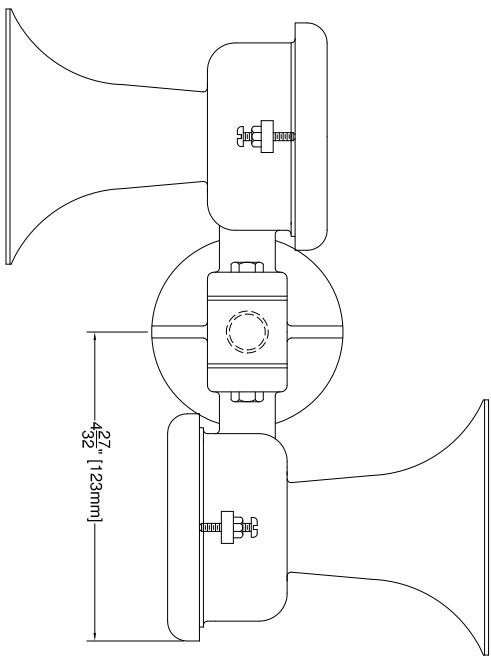


- This high quality, resilient air horn is perfect for fire alarm and general industrial signaling applications
- Ideal for use in hazardous and corrosive environments
- Efficient design with low air consumption
- Fine tuning capability with adjustable ring
- Bi-Directional design for improved coverage
- Also available as a kit with solenoid and/or manual valve and mounting bracket
- Horn construction: Durable, solid cast bronze bells with stainless steel diaphragm discs

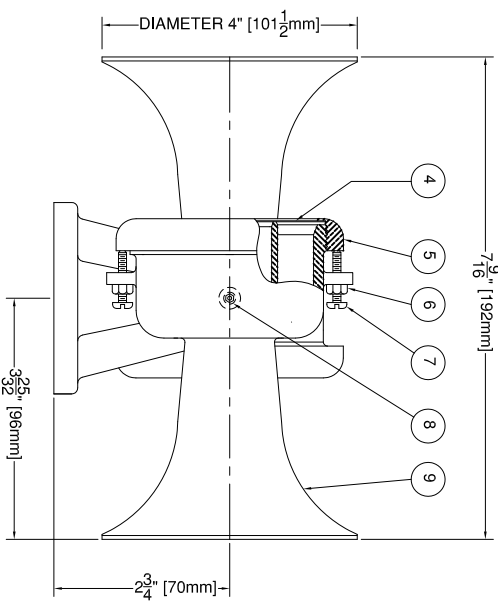
\* Signal will produce a sound pressure level of approximately 70 dB @ 1 km in calm, cool conditions without topographical interference. Signal strength at distance can vary dramatically depending on environmental and geographical conditions. Please consult factory for more detailed information.

<b>Control:</b>	Manual, solenoid or combination valve
<b>SPL (Loudness) on Total:</b>	132 ± 1 dBA @ 1 meter
<b>Operating Medium:</b>	Air, nitrogen, CO <sub>2</sub> , 1/2" NPT inlet
<b>Air Consumption:</b>	14 L/sec [28 SCFM] on 7 bar [100 psi]
<b>Audibility:</b>	1 km (bi-directional) on still air
<b>Fundamental Frequency:</b>	745 Hz ± 20 Hz
<b>Tone (Musical Note):</b>	F <sub>5</sub> sharp
<b>Operating Pressure:</b>	3 – 10 bars [50 – 150 PSI]
<b>Operating Temperature:</b>	-20°C to +80°C [-4°F to +176°F]
<b>Finish:</b>	Powder coated red
<b>Degree of Protection:</b>	IP 54
<b>Basic Dimension:</b>	257x192x121mm [10"x8"x5"]
<b>Net Weight:</b>	3.6 kg [8 lbs]

REV.	BY	DATE	DESCRIPTION	APP'D.



REF	PART	DESCRIPTION	MATERIAL	SPECIFICATION	QTY
1	31011	CAP SCREW 5/16x3/4"	SILICONE BRONZE	ASTM F593C	4
2	31017	BASE-DUAL	CAST BRONZE	SAE - 40	1
3	31013	GASKET	CORK/NEOPRENE	COMMERCIAL	2
4	80386	DIAPHRAGM DISC	STAINLESS STEEL	ASTM-A167	2
5	31002	ADJUSTING RING	CAST BRONZE	SAE - 40	2
6	31005	LOCKNUT-10/24	BRASS	ASTM F594	4
7	31004	MACHINE SCREW	BRASS	ASA B18.6	4
8	31006	RESTRICTOR	BRASS	ASTM B16	2
9	31001	BODY	CAST BRONZE	SAE - 40	2



OPERATING AIR PRESSURE 50-150 P.S.I.

MODEL CA2-1R2 AIR WHISTLES

**CONFIDENTIAL**

INFORMATION CONTAINED HEREIN IS CONFIDENTIAL. IT IS THE PROPERTY OF KAHLBERG INDUSTRIES INC. IT IS TO BE USED SOLELY FOR THE PURPOSE PROVIDED, AND IT IS NOT TO BE DISCLOSED TO OTHERS WITHOUT THE PRIOR WRITTEN CONSENT OF KAHLBERG INDUSTRIES INCORPORATED.



KAHLBERG INDUSTRIES INC. TWO RIVERS, WISCONSIN 54241

**OUTLINE DIMENSIONS / PARTS LIST**  
**MODEL CA2-1R2 AIR HORN 745 HZ**

DR.	DATE	CKD.	SCALE	DRWG. NO.	REV.
ZJN	03/19/13	EMK	N.T.S.	31245	

CAGE: 75214

Copyright Kahlberg Ind. Inc. 2010