

Self-Contained Air Horns

SUITABLE FOR MARINE VESSELS UP TO 20 METERS,
WARNING SIGNALS, OR OTHER INDUSTRIAL USE

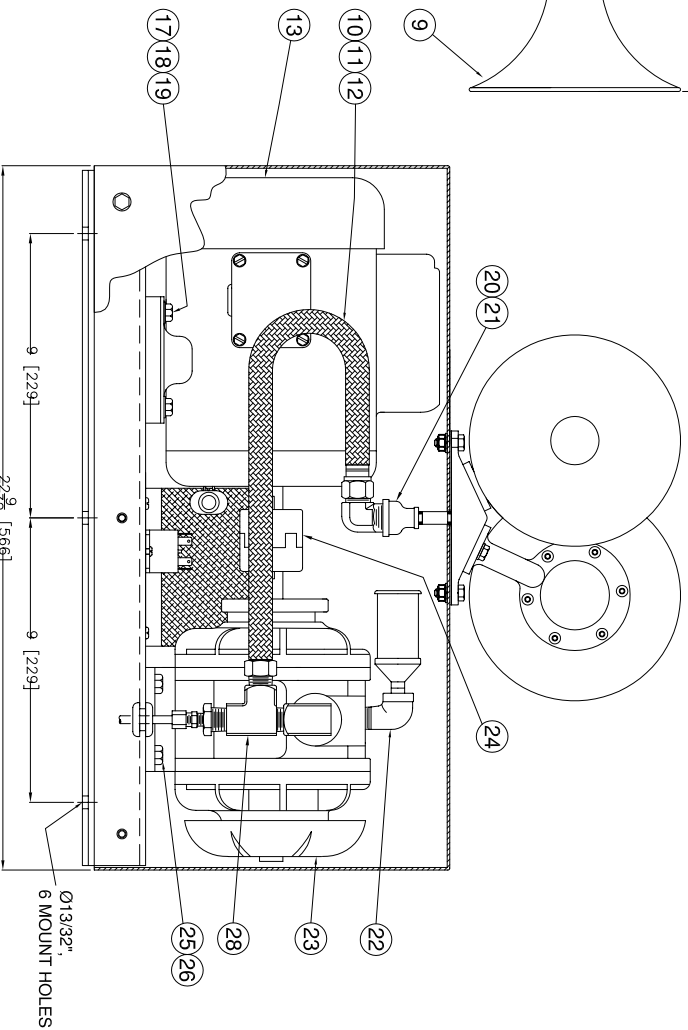
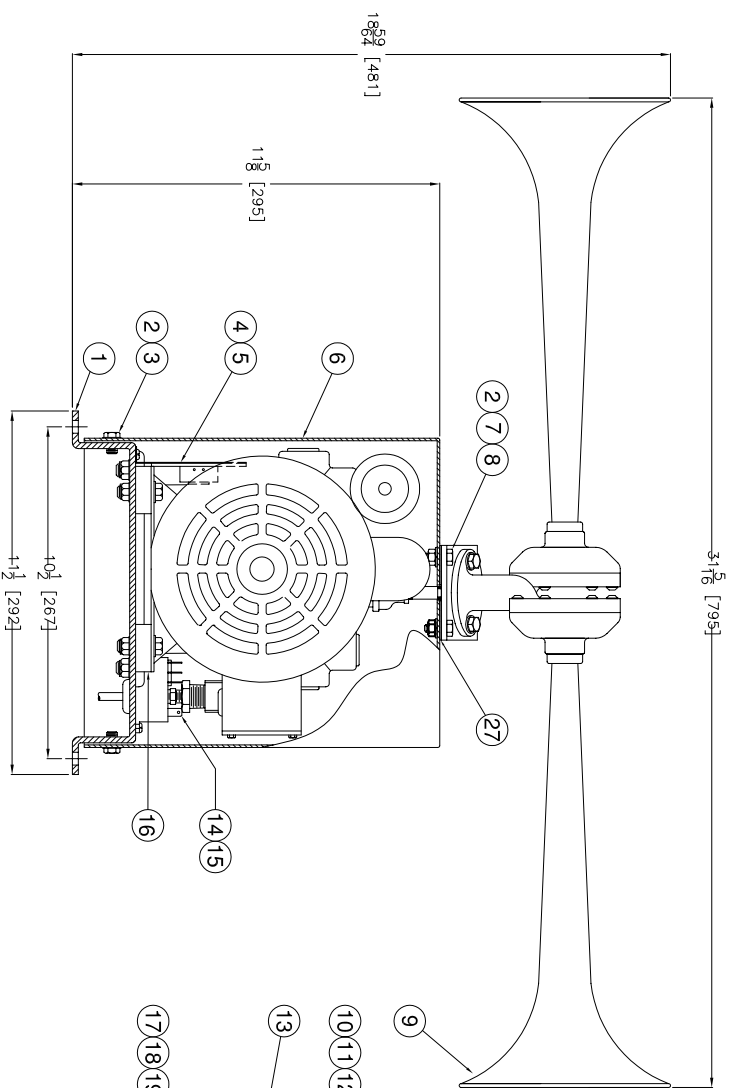


- IMO/COLREGS certified for vessels up to 20 meters
- Self-contained for applications where an air supply is not available or desired
- Thermostatically controlled, heated enclosure for cold weather applications
- Available in 120 VAC or 240 VAC
- Horn bell and head constructed from brass with a bronze diaphragm
- Self draining design to prevent condensation and corrosion

Control and Heater:	120 VAC, 240 VAC
SPL (Loudness) on Total:	133 ± 1 dB @ 1 meter
SPL (Loudness) 1/3 octave:	> 122.5 dB @ 1 meter
Power Consumption:	13.5 Amps @ 120 VAC
Audibility:	0.5 nautical miles (IMO)
Fundamental Frequency:	322 Hz
Operating Voltage:	120 VAC, 240 VAC
Operating Temperature:	-30° C to +75° C [-22° F to 167° F]
Finish:	Bronze and brass horns with self contained body primed and painted grey marine enamel
Degree of Protection:	IP 54
Basic Dimension:	795x566x481mm [23x11.5x19"]
Net Weight:	39 kg [85 lbs]

3-6463

REV.	BY	DATE	DESCRIPTION	APP'D.



● RECOMMENDED SPARE PARTS

REF	PART	DESCRIPTION	MATERIAL	SPECIFICATION	QTY
1	40920	BASE	ALUMINUM	UNS A50520	1
2	40932	HEX HEAD CAP SCREW 1/4-20x5/8"	STAINLESS STEEL	ASTM F593C	10
3	18133	1/4" FLAT WASHER	STAINLESS STEEL	ASTM F594	6
4	18180	FLEXIBLE HEATER 75W/120V WITH THERM	ASSEMBLY	UL, CSA, CE	1
5	69398	R.H. SLOT MACH. SCREW 10-24 x 3/8"	STAINLESS STEEL	ANSI B18.6	2
6	40262	COVER	ALUMINUM	UNS A59502	1
7	W011-0038S	COCKWASHER, 1/4"	STAINLESS STEEL	ASA B27.2	4
8	W018-0038S	NUT, HEX 1/4-20	STAINLESS STEEL	ASTM F944	4
9	AH336359/S000000NF	MODEL B10A BIDIRECTIONAL AIRHORN	ASSEMBLY	DWG No. 36369	1
10	18280	BRAIDED FLEXIBLE HOSE, 300 PSI RATING	NEOPRENE RUBBER	UL, CSA, CE	1
11	18285	TUBE ADAPTER	BRASS	UL, CSA, CE	2
12	18290	MALE ELBOW 1/2" NPT	BRASS	UL, CSA, CE	2
13	10892	1 HP MOTOR C/W OVERLOAD PROTECTION	ASSEMBLY	DWG No. 10892	1
14	89914	POWER RELAY, 120VAC COIL, SEALED, DPDT	ASSEMBLY	UL, CSA, CE	1
15	31049	R.H. SLOT MACH. SCREW 8-32 x 3/8"	STAINLESS STEEL	ANSI B18.6	2
16	40280	FOOT BLOCK	ALUMINUM	ASTM B221	2
17	18204	H. H. CAP SCREW 5/16"-18 x 1-1/4"	STAINLESS STEEL	ASTM F594	4
18	40025	LOCK NUT 5/16"-18	STAINLESS STEEL	ASTM F594	4
19	13244	FLAT WASHER 5/16"	STAINLESS STEEL	ASA B27.2	4
20	PT134-013	REDUCER COUPLING 1-1/2" N.P.T. TO 1/8" N.P.T.	BRASS	UL, CSA, CE	1
21	P129-08	NIPPLE, 1/8" N.P.T. X 1-1/2"	BRASS	UL, CSA, CE	1
22	18152	STREET ELBOW, 1/2" NPT	STAINLESS STEEL	UNS S31600	1
23	40017	AIR COMPRESSOR, ROTARY VANE, OILLESS	ASSEMBLY	DWG No. 40017	1
24	40010	COUPLING, JAM TYPE, NEOPRENE INSERT	STEEL/PLASTIC	UL, CSA	1
25	86224	LOCK NUT 3/8"-16	STAINLESS STEEL	ASTM F944	4
26	86224	H. H. CAP SCREW 3/8-16 x 1-1/4"	STAINLESS STEEL	ASTM F593C	4
27	P051-11	GASKET	EPDM RUBBER		1
28	15588	DRAIN ASSEMBLY	ASSEMBLY	DRAWING No. 15588	1

MOTOR 1HP, 1725 RPM, 115VAC 60Hz, 12.8A FULL LOAD, TEFC
 HEATER 115 VAC, 75 WATTS, SWITCH SETTING 40°F ON, 55°F OFF
 AIR COMPRESSOR: 1 HP, 1725 RPM, ROTARY VANE, OILLESS TYPE
 WHISTLE FUND, FREQUENCY: 322 Hz, 133 dB(A) ON TOTAL @ 1M
 POWER RELAY, DPDT, SEALED 120VAC COIL, 30A CONTACT RATING

SEE DRAWINGS 3-6465 INSTALLATION AND 3-6464 MOTOR AND RELAY WIRING
 ALL DIMENSIONS ARE FOR REFERENCE ONLY, UNLESS OTHERWISE SPECIFIED.



OUTLINE DIMENSIONS / PARTS LIST

MODEL BI-0A-SC

BI DIRECTIONAL SELF-CONTAINED AIRHORN

DR.	DATE	CKD.	SCALE	DRAWG. NO.	REV.
ZJN	11/20/07	EMK	NTS	3-6463	