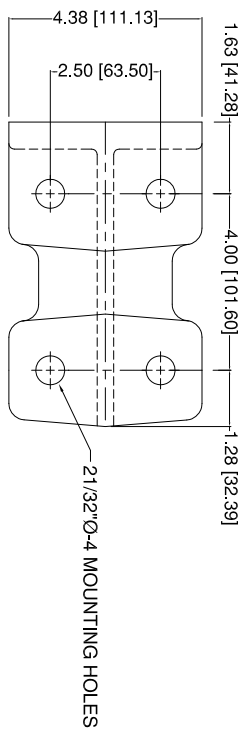
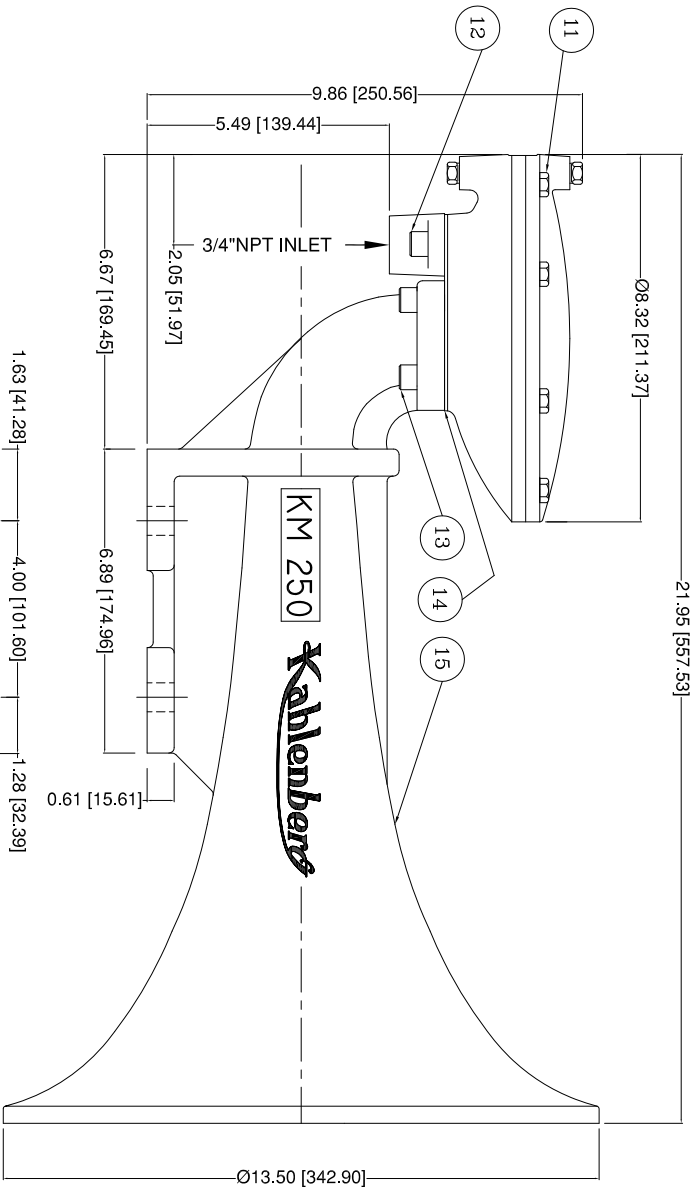
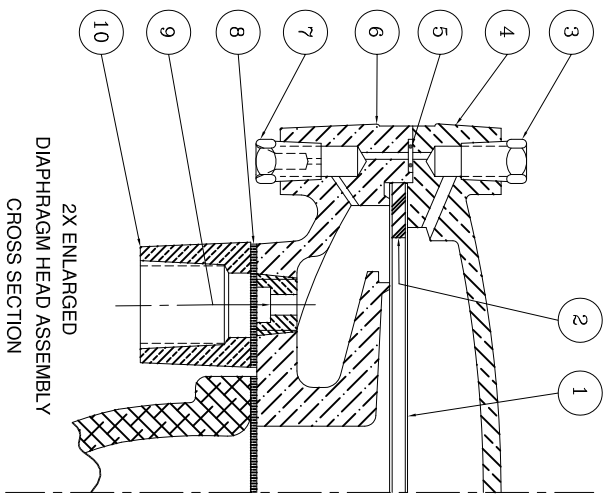


REV	DESCRIPTION	DATE (YR-MO-DA)	APPROVED
1	TO CHANGE THE BELL MATERIAL	2002-07-24	L.H.T.



• RECOMMENDED SPARE PARTS

REF	PART	DESCRIPTION	MATERIAL	SPECIFICATION	QTY
1	32111	DIAPHRAGM DISC	STAINLESS STEEL	UNS S30100	2
2	32112	CUSHION RING	SILICONE RUBBER	ASTM D2000 FC-FE	1
3	10842	PLUG 1/8" NPT	STAINLESS STEEL	UNS S31600	1
4	32090	DIAPHRAGM CAP	CAST ALUMINUM	UNS AA635.2	1
5	32164	O RING	BUNA N	MIL STD 417 SB	1
6	32092	DIAPHRAGM HEAD	CAST ALUMINUM	UNS A05352	1
7	10843	LEAK PLUG 1/8" NPT	STAINLESS STEEL	UNS S31600	1
8	32108	INLET GASKET	POLY FIBRE, TN-9000	ASTM F104	1
9	10839	RESTRICTOR	STAINLESS STEEL	UNS S30400	1
10	32095	INLET FLANGE	CAST ALUMINUM	UNS AA635.2	1
11	13105	H. H. CAP SCREW 5/16"-18x1"	STAINLESS STEEL	ASTM F593C	8
12	32115	S. H. CAP SCREW 3/8"-16x1"	STAINLESS STEEL	ASTM F837	2
13	32114	S. H. CAP SCREW 3/8"-16x1-1/4"	STAINLESS STEEL	ASTM F837	4
14	32107	HEAD GASKET	POLY FIBRE, TN-9000	ASTM F104	1
15	32127	BELL No. 250	CAST ALUMINUM	UNS AA635.2	1

NOTE:
EXCEPT FOR HOLE CENTRES, ALL DIMENSIONS ARE FOR REFERENCE ONLY.

CONFIDENTIAL

INFORMATION CONTAINED HEREIN IS CONFIDENTIAL. IT IS THE PROPERTY OF KAHLBERG INDUSTRIES INC. IT IS TO BE USED SOLELY FOR THE PURPOSE PROVIDED, AND IT IS NOT TO BE DISCLOSED TO OTHERS WITHOUT THE PRIOR WRITTEN CONSENT OF KAHLBERG INDUSTRIES INCORPORATED.



KAHLBERG INDUSTRIES INC. TWO RIVERS, WISCONSIN 54241

OUTLINE DIMENSIONS / PARTS LIST
MODEL KM-250 AIRHORN

CAGE: 75214

Copyright Kahlberg Ind. Inc. 2010

DR.	DATE	CKD.	SCALE	DRWG. NO.	REV.
ZJN	03/19/13	EMK	N.T.S.	32215	1