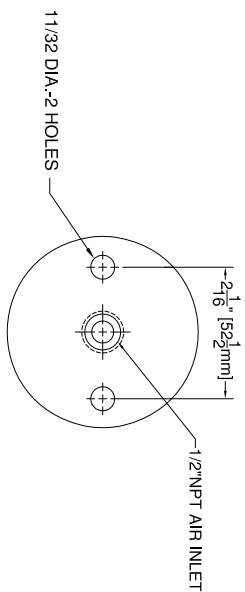
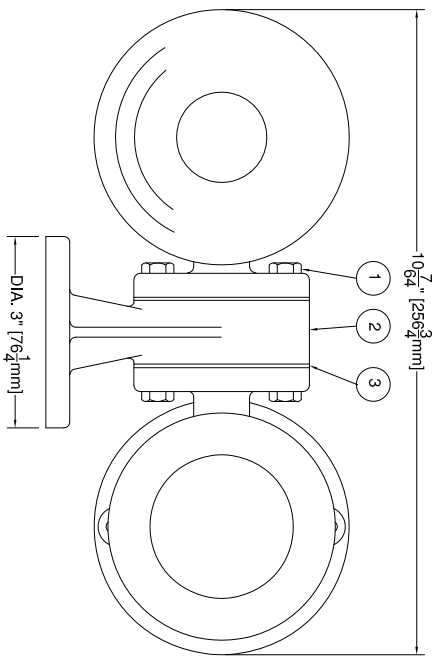
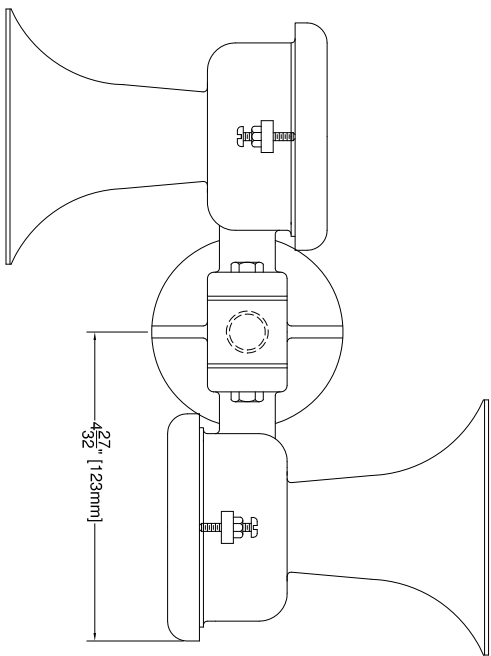
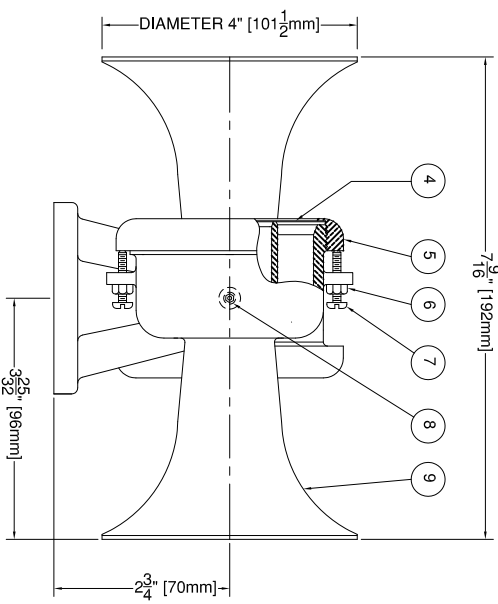


REV.	BY	DATE	DESCRIPTION	APP'D.



REF	PART	DESCRIPTION	MATERIAL	SPECIFICATION	QTY
1	31011	CAP SCREW 5/16x3/4"	SILICONE BRONZE	ASTM F593C	4
2	31017	BASE-DUAL	CAST BRONZE	SAE - 40	1
3	31013	GASKET	CORK/NEOPRENE	COMMERCIAL	2
4	80386	DIAPHRAGM DISC	STAINLESS STEEL	ASTM-A167	2
5	31002	ADJUSTING RING	CAST BRONZE	SAE - 40	2
6	31005	LOCKNUT-10/24	BRASS	ASTM F594	4
7	31004	MACHINE SCREW	BRASS	ASA B18.6	4
8	31006	RESTRICTOR	BRASS	ASTM B16	2
9	31001	BODY	CAST BRONZE	SAE - 40	2



OPERATING AIR PRESSURE 50-150 P.S.I.

MODEL CA2-1R2 AIR WHISTLES

CONFIDENTIAL

INFORMATION CONTAINED HEREIN IS CONFIDENTIAL. IT IS THE PROPERTY OF KAHLBERG INDUSTRIES INC. IT IS TO BE USED SOLELY FOR THE PURPOSE PROVIDED, AND IT IS NOT TO BE DISCLOSED TO OTHERS WITHOUT THE PRIOR WRITTEN CONSENT OF KAHLBERG INDUSTRIES INCORPORATED.



KAHLBERG INDUSTRIES INC. TWO RIVERS, WISCONSIN 54241

OUTLINE DIMENSIONS / PARTS LIST
MODEL CA2-1R2 AIR HORN 745 HZ

DR.	DATE	CKD.	SCALE	DRWG. NO.	REV.
ZJN	03/19/13	EMK	N.T.S.	31245	

CAGE: 75214

Copyright Kahlberg Ind. Inc. 2010