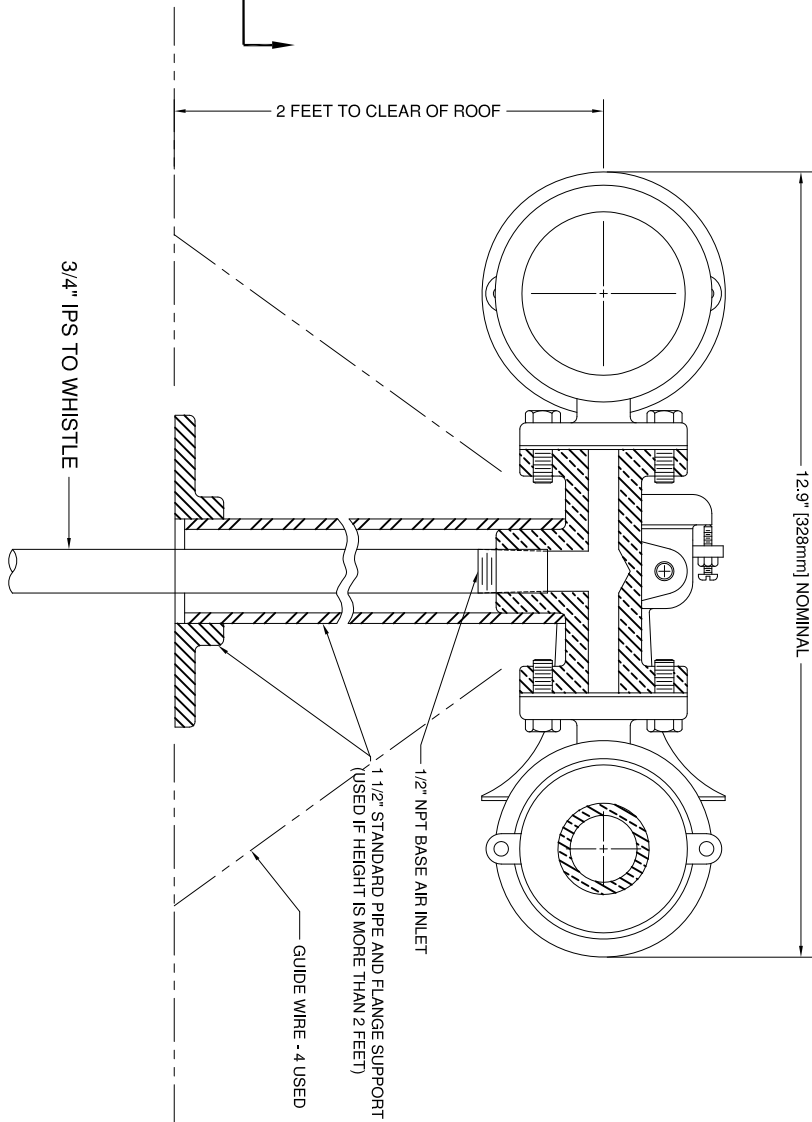
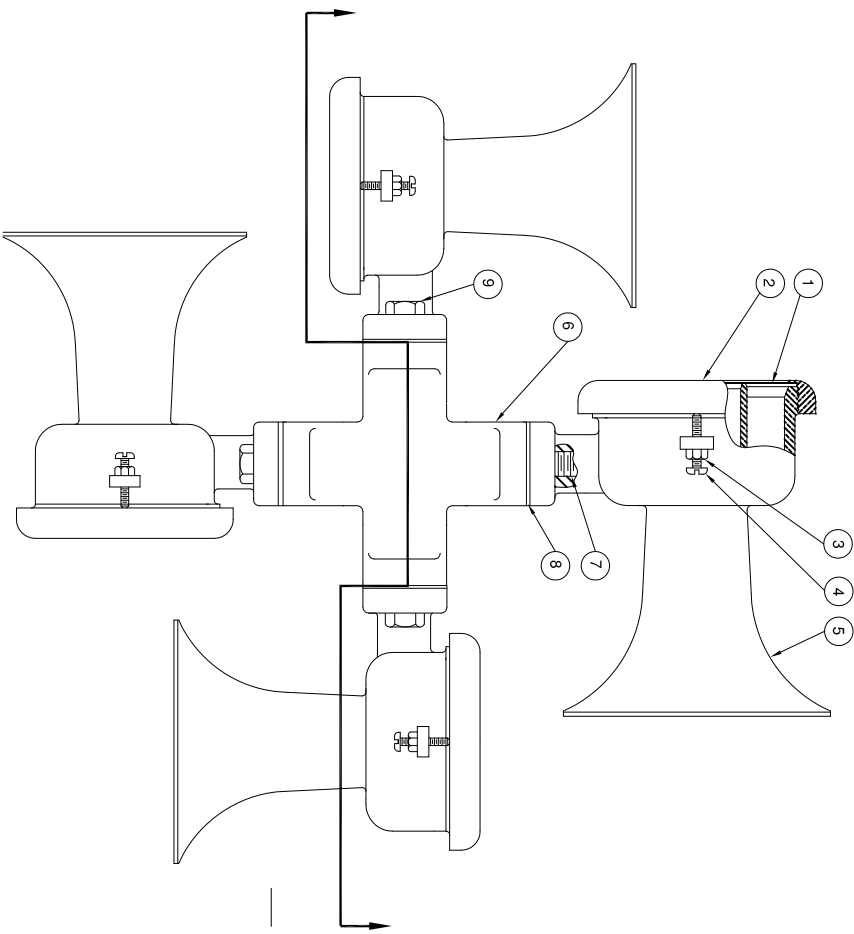


REV.	BY	DATE	DESCRIPTION	APP'D.

RECOMMENDED INSTALLATION



REF	PART	DESCRIPTION	MATERIAL	SPECIFICATION	QTY
1	31003	DIAPHRAGM - 0.018" THICK	STAINLESS STEEL	ASTM-A167	4
2	31002	ADJUSTING RING	CAST BRONZE	SAE - 40	4
3	31005	LOCKNUT 10-32	BRASS	ASTM-B16	8
4	31004	MACHINE SCREW 10-32x1"	BRASS	ASTM-B16	8
5	31001	BELL BODY - CA	CAST BRONZE	SAE - 40	4
6	31025	FOUR WHISTLE BASE	BRONZE	SAE - 40	1
7	31006	RESTRICTOR 3/32" (NOT SHOWN)	BRASS	ASTM-B16	4
8	31013	GASKET	CORK/NEOPRENE	COMMERCIAL	4
9	31011	CAP SCREW 5/16-18x3/4"	SILICONE BRONZE	ASTM F593	8

NOTE:
ALL DIMENSIONS SHOWN ARE FOR REFERENCE ONLY, UNLESS OTHERWISE SPECIFIED

CONFIDENTIAL

INFORMATION CONTAINED HEREIN IS CONFIDENTIAL, IT IS THE PROPERTY OF KAHLBERG INDUSTRIES INC., IT IS TO BE USED SOLELY FOR THE PURPOSE PROVIDED, AND IT IS NOT TO BE DISCLOSED TO OTHERS WITHOUT THE PRIOR WRITTEN CONSENT OF KAHLBERG INDUSTRIES INCORPORATED.

KAHLBERG INDUSTRIES INC.



TWO RIVERS, WISCONSIN 54241

OUTLINE DIMENSIONS / PARTS LIST
MODEL CA-4 AIR HORN 745 HZ

CAGE: 75214

Copyright Kahlberg Ind. Inc. 2010

DR.	DATE	CKD.	SCALE	DRWG. NO.	REV.
ZJN	03/19/13	EMK	N.T.S.	31034	