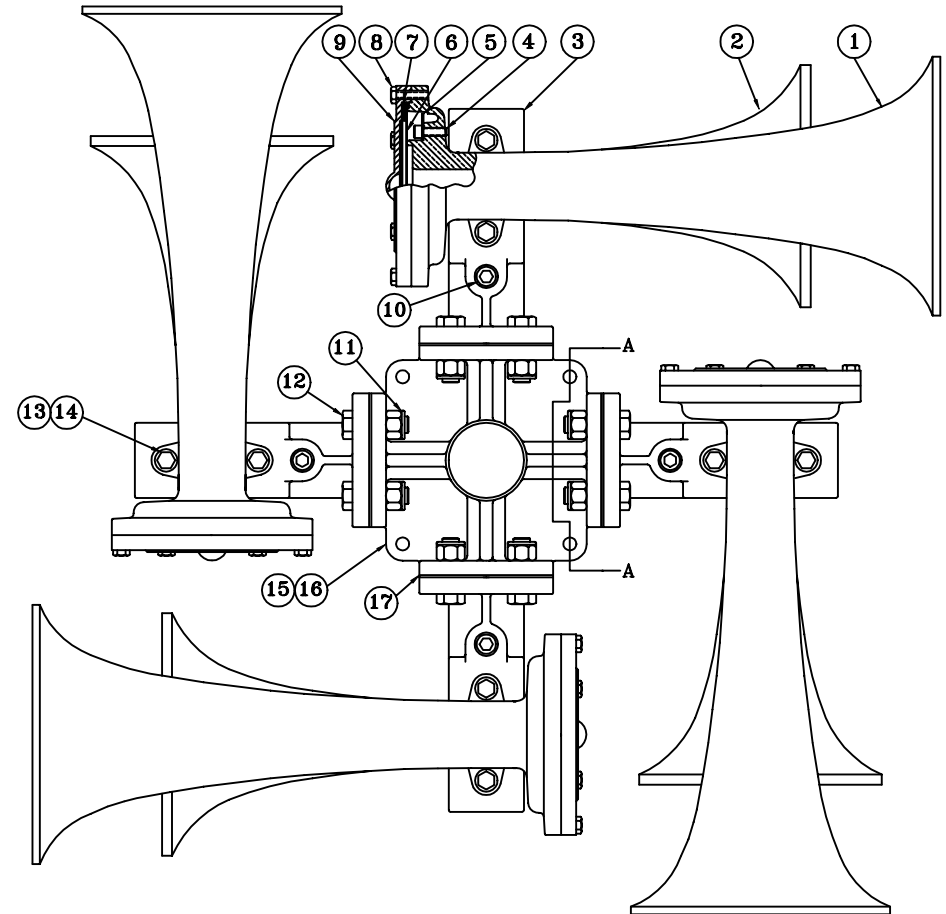
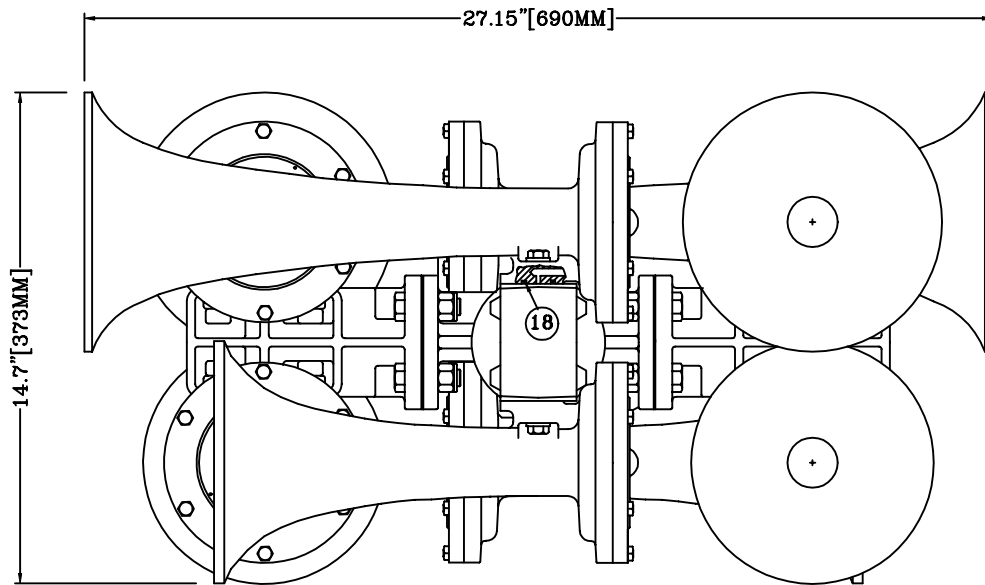
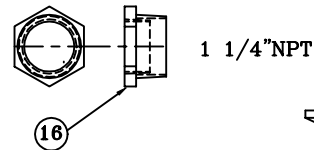
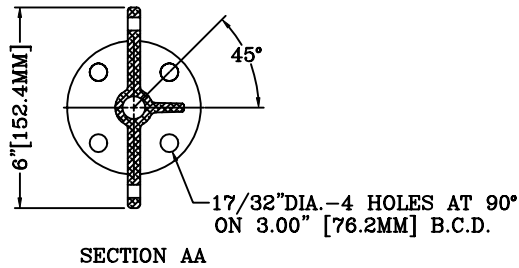


| REVISIONS | | | |
|-----------|-------------|-----------------|----------|
| REV | DESCRIPTION | DATE (YR-MO-DA) | APPROVED |
| | | | |



FINISH: RED LACQUER PAINT

| REF | PART | DESCRIPTION | MATERIAL | SPECIFICATION | QTY |
|-----|-------|-----------------------|-------------------|---------------|-----|
| 1 | 30101 | BELL BODY No. 1 | DIE CAST ALUMINUM | ASTM B26-65 | 8 |
| 2 | 30102 | BELL BODY No. 2 | DIE CAST ALUMINUM | ASTM B26-65 | 8 |
| 3 | 30124 | TWO TONE BASE | CAST ALUMINUM | UNS A03562 | 4 |
| 4 | 30144 | SOCKET HEAD CAP SCREW | STAINLESS STEEL | ASTM F837-91 | 24 |
| 5 | 30143 | DIFFUSER | STAINLESS STEEL | UNS S30400 | 8 |
| 6 | 30111 | DIAPHRAGM DISC | STAINLESS STEEL | UNS S30100 | 16 |
| 7 | 30112 | CUSHION RING | SILICONE RUBBER | ASTM D2000 | 8 |
| 8 | 30110 | HEX HEAD CAP SCREW | STAINLESS STEEL | ASTM F593C | 48 |
| 9 | 30109 | DIAPHRAGM CAP | DIE CAST ALUMINUM | ASTM B26-65 | 8 |
| 10 | 20914 | PIPE PLUG 3/8 NPT | ALLOY STEEL | ASA B21 | 8 |
| 11 | 85211 | NYLOCK HEX NUT | STAINLESS STEEL | ASTM F594C | 16 |
| 12 | 10497 | HEX HEAD CAP SCREW | STAINLESS STEEL | ASTM F593C | 16 |
| 13 | 30119 | HEX HEAD CAP SCREW | STAINLESS STEEL | ASTM F593C | 16 |
| 14 | 30122 | LOCK WASHER | STAINLESS STEEL | ASTM F593C | 16 |
| 15 | 30129 | FOUR DIRECTIONAL BASE | CAST ALUMINUM | UNS A03562 | 1 |
| 16 | 30156 | PIPE BUSHING | ALLOY STEEL | ASA B18.8 | 1 |
| 17 | 30123 | GASKET | RUBBER/CORK | COMMERCIAL | 4 |
| 18 | 30211 | O RING | BUNA N | MIL-R-003065A | 8 |

CONFIDENTIAL
 INFORMATION CONTAINED HEREIN IS CONFIDENTIAL, IT IS THE PROPERTY OF AIRCHIME MFG. CO. LTD., IT IS TO BE USED SOLELY FOR THE PURPOSE PROVIDED, AND IT IS NOT TO BE DISCLOSED TO OTHERS WITHOUT THE PRIOR WRITTEN CONSENT OF AIRCHIME MANUFACTURING COMPANY LIMITED.

© CopyRight Airchime Mfg. Co. Ltd.

| | |
|-------------------------------------|-----------------------------|
| CONTRACT NUMBER | |
| CONTRACTOR | |
| DRAWN BY: L.H.J. | DATE (YR-MO-DA) 96-02-09 |
| CHECKER: S.W.C. | ENGINEER R.E.S. |
| DRAWING DESIGN: S.W.P. | |
| TYPE OF DRAWING: ASSEMBLY | |



MODEL K4-12
 EIGHT BELL WHISTLE

SIZE A NSCM 36575 30280

SCALE: NONE UNIT WT: 61 LBS SHEET: 1 OF 1