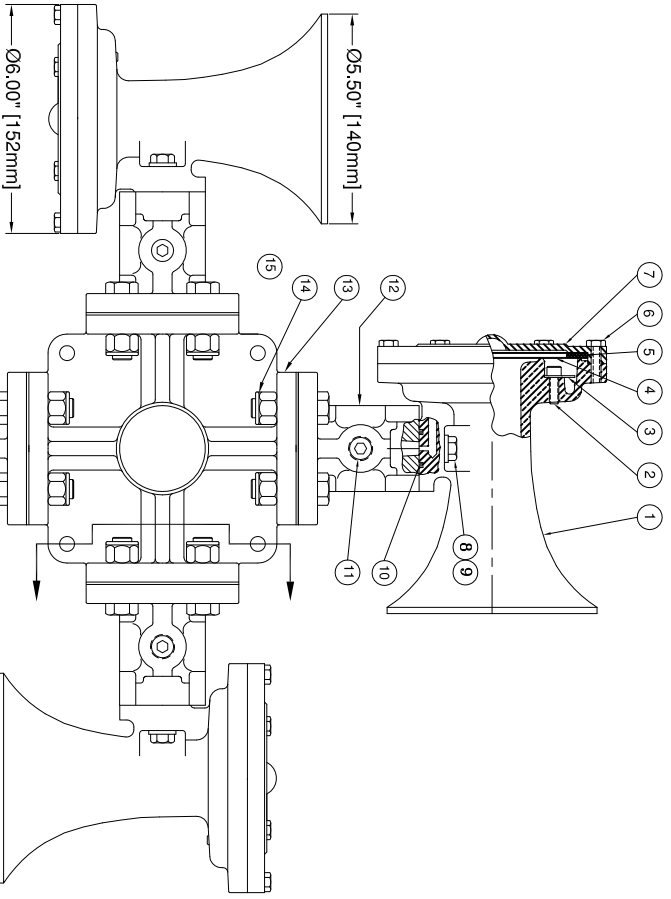
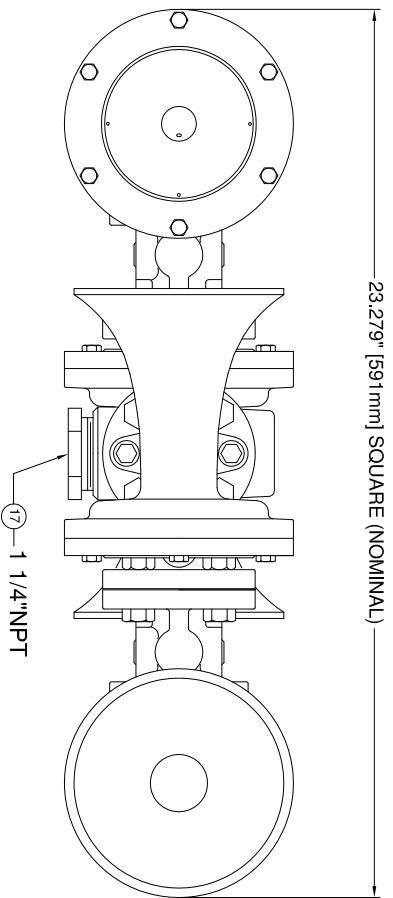
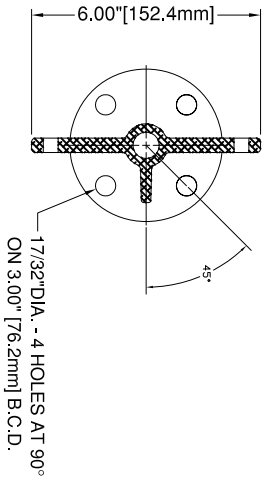


REV.	BY	DATE	DESCRIPTION	APP'D.



* RECOMMENDED SPARE PARTS

REF	PART	DESCRIPTION	MATERIAL	SPECIFICATION	QTY
1	30105	BELL BODY No. 5, 622Hz	DIE CAST ALUMINUM	ASTM B26-65	4
2	30144	SOCKET HD. CAP SCREW	STAINLESS STEEL	ASTM F837	12
3	30143	DIFUSER	STAINLESS STEEL	UNS S30400	4
4	30111	DIAPHRAGM DISC	STAINLESS STEEL	UNS S30100	8
* 5	30112	CUSHION RING	SILICONE RUBBER	ASTM D2000	4
6	30110	HEX HEAD CAP SCREW	STAINLESS STEEL	ASTM F593C	24
7	30109	DIAPHRAGM CAP	DIE CAST ALUMINUM	ASTM B26-65	4
8	30119	HEX HEAD CAP SCREW	STAINLESS STEEL	ASTM F593C	8
9	30122	LOCKWASHER	STAINLESS STEEL	ASA B27.1	8
10	30211	0 RING	NEOPRENE	MIL-R-003065-A	4
11	20914	PIPE PLUG 3/8" N.P.T.	ALLOY STEEL	ASA B18.8	8
12	30117	BASE-SINGLE TONE	CAST ALUMINUM	UNS A03562	4
13	30129	FOUR DIRECTIONAL BASE	CAST ALUMINUM	UNS A03562	1
14	85211	NYLOCK NUT	STAINLESS STEEL	ASTM F593C	16
15	30123	BASE GASKET	CORK NEOPRENE	COMMERCIAL	4
16	10497	HEX HEAD CAP SCREW	STAINLESS STEEL	ASTM F593C	16
17	30156	PIPE BUSHING	ALLOY STEEL	ASA B18.8	1

FUNDAMENTAL FREQUENCY: 622 HZ

CONFIDENTIAL

INFORMATION CONTAINED HEREIN IS CONFIDENTIAL. IT IS THE PROPERTY OF KAHLBERG INDUSTRIES INC. IT IS TO BE USED SOLELY FOR THE PURPOSE PROVIDED, AND IT IS NOT TO BE DISCLOSED TO OTHERS WITHOUT THE PRIOR WRITTEN CONSENT OF KAHLBERG INDUSTRIES INCORPORATED.



KAHLBERG INDUSTRIES INC. TWO RIVERS, WISCONSIN 54241

OUTLINE DIMENSIONS / PARTS LIST
MODEL K4-5 AIR HORN

CAGE: 75214

Copyright Kahlberg Ind. Inc. 2010

DR.	DATE	CKD.	SCALE	DRWG. NO.	REV.
ZJN	03/19/13	EMK	N.T.S.	30269	