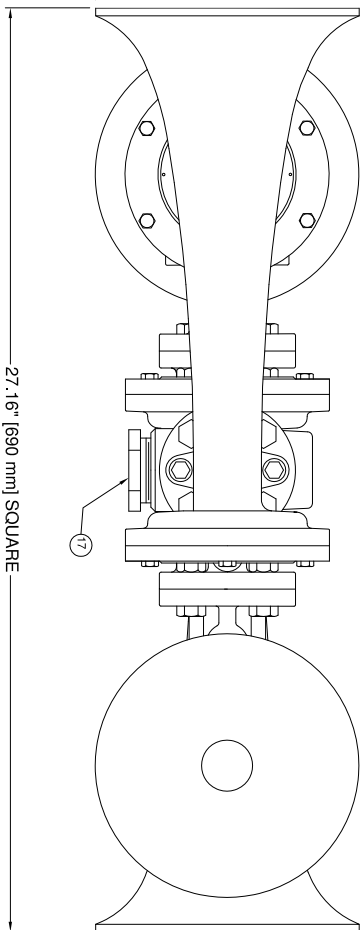
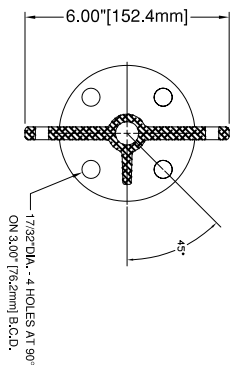


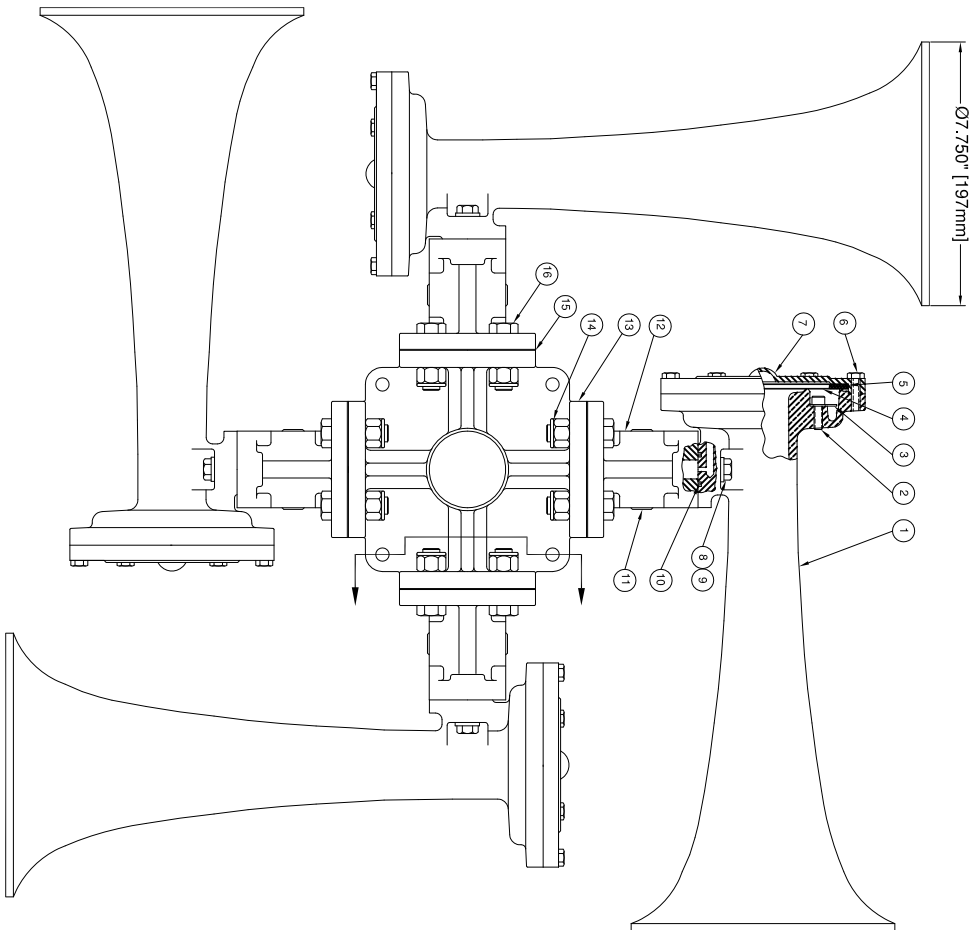
REV.	BY	DATE	DESCRIPTION	APP'D.



FUNDAMENTAL FREQUENCY: 311 Hz

\* RECOMMENDED SPARE PARTS

REF PART	DESCRIPTION	MATERIAL	SPECIFICATION	QTY
1	30101 BELL BODY No. 1, 311Hz	DIE CAST ALUMINUM	ASTM B26-65	4
2	30144 SOCKET HD. CAP SCREW	STAINLESS STEEL	ASTM F837-91	12
3	30143 DIFFUSER	STAINLESS STEEL	UNS S30400	4
4	30111 DIAPHRAGM DISC	STAINLESS STEEL	UNS S30100	8
5	30112 CUSHION RING	SILICONE RUBBER	ASTM 2000	4
6	30110 HEX HEAD CAP SCREW	STAINLESS STEEL	ASTM F593C	24
7	30109 DIAPHRAGM CAP	DIE CAST ALUMINUM	ASTM B26-65	4
8	30119 HEX HEAD CAP SCREW	STAINLESS STEEL	ASTM F593C	8
9	30122 LOCKWASHER	STAINLESS STEEL	ASA B27.1	8
10	30211 O RING	NEOPRENE	MI-R-003065-A	4
11	20914 PIPE PLUG 3/8" N.P.T.	ALLOY STEEL	ASA B18.8	8
12	30117 BASE-SINGLE TONE	CAST ALUMINUM	UNS A03562	4
13	30129 FOUR DIRECTIONAL BASE	CAST ALUMINUM	UNS A03562	4
14	85211 NYLOCK NUT	STAINLESS STEEL	ASTM F593C	16
15	30123 BASE GASKET	CORK NEOPRENE	COMMERCIAL	4
16	10497 HEX HEAD CAP SCREW	STAINLESS STEEL	ASTM F593C	16
17	30156 PIPE BUSHING	ALLOY STEEL	ASA B18.8	1



CONFIDENTIAL

INFORMATION CONTAINED HEREIN IS CONFIDENTIAL. IT IS THE PROPERTY OF KAHLBERG INDUSTRIES INC. IT IS TO BE USED SOLELY FOR THE PURPOSE PROVIDED, AND IT IS NOT TO BE DISCLOSED TO OTHERS WITHOUT THE PRIOR WRITTEN CONSENT OF KAHLBERG INDUSTRIES INCORPORATED.

KAHLBERG INDUSTRIES INC. TWO RIVERS, WISCONSIN 54241

**Kahlberg**  
 OUTLINE DIMENSIONS / PARTS LIST  
 MODEL K4-1 AIR HORN

CAGE: 75214

Copyright Kahlberg Ind. Inc. 2010

DR.	DATE	CKD.	SCALE	DRWG. NO.	REV.
ZJN	03/19/13	EMK	N.T.S.	30265	