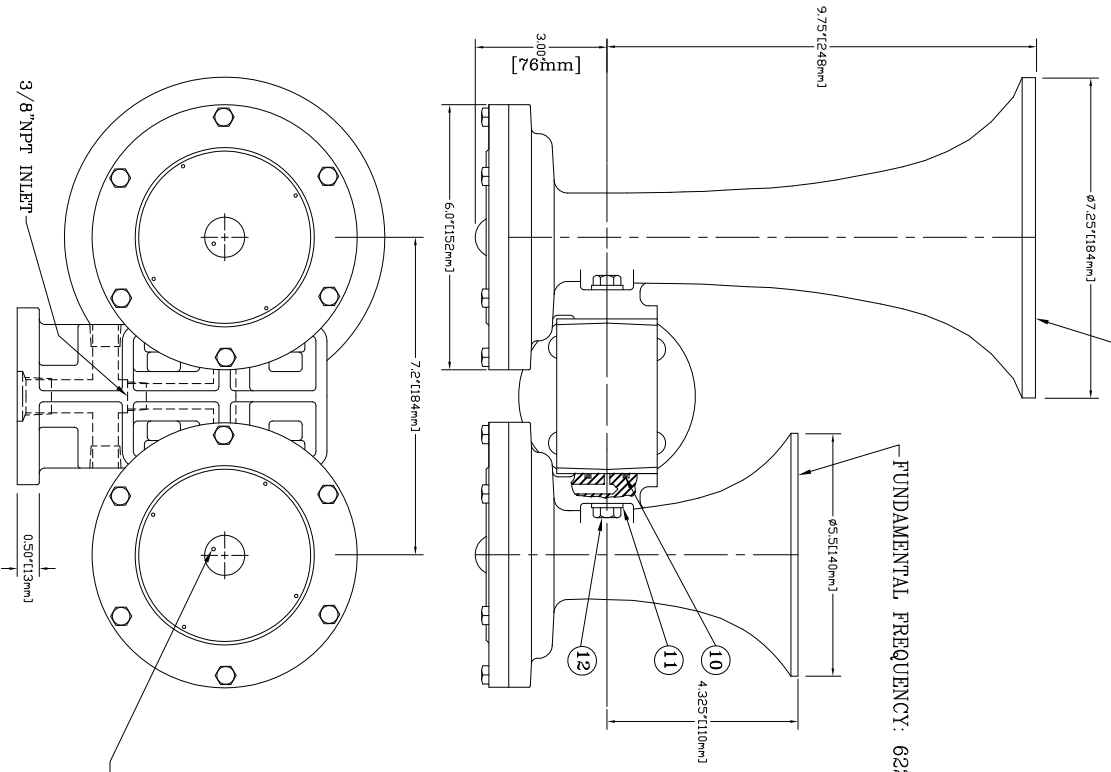


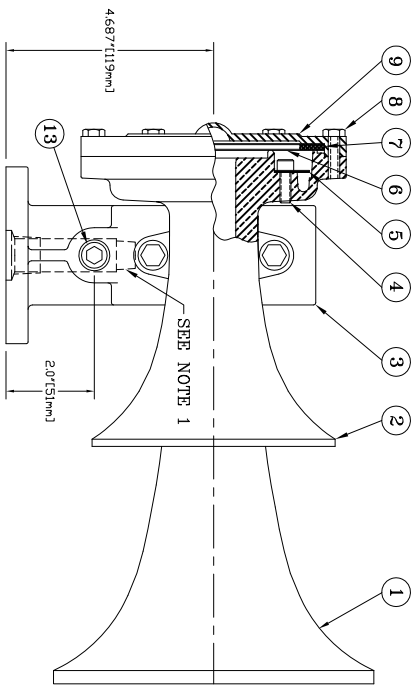
REV.	BY	DATE	DESCRIPTION	APP'D.

FUNDAMENTAL FREQUENCY: 370 Hz

FUNDAMENTAL FREQUENCY: 632 Hz

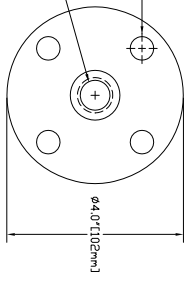


REF PART	DESCRIPTION	MATERIAL	SPECIFICATION	QTY
1	BELL BODY No. 2	DIE CAST ALUMINUM	ASTM-B26-65	1
2	BELL BODY No. 5	DIE CAST ALUMINUM	ASTM-B26-65	1
3	TWO TONE BASE	CAST ALUMINUM	UNS A03562	1
4	SOCKET HEAD CAP SCREW	STAINLESS STEEL	ASTM F837-91	6
5	DIFFUSER	STAINLESS STEEL	UNS-S30400	2
6	DIAPHRAGM DISC	STAINLESS STEEL	UNS-S30100	4
7	CUSHION RING	SILICONE RUBBER	ASTM D2000	2
8	HEX HEAD CAP SCREW	STAINLESS STEEL	ASTM F593C	12
9	DIAPHRAGM CAP	DIE CAST ALUMINUM	ASTM-B26-65	2
10	O RING	BUNA N	MIL. STD 417 SB	2
11	LOCKWASHER	STAINLESS STEEL	ASA B27.1	4
12	HEX HEAD CAP SCREW	STAINLESS STEEL	ASTM F593C	4
13	PIPE PLUG 3/8" N.P.T.	ALLOY STEEL	ASA B21	2



NOTE:  
 1. TAPPED INLET HOLE FOR RESTRICTOR IF LOUDNESS MUST BE REDUCED (CONSULT FACTORY).  
 2. ANY BELL CAN BE REVERSED BY REMOVING SCREWS (REF.12) AND REASSEMBLING BELL IN OPPOSITE DIRECTION.  
 WHEN ROTATING BELLS - ROTATE CAP (REF.9) SO THAT RELIEF HOLES IS DOWN.

0.531" DIA. - 4 HOLES @ 90° ON 3.00" B.C.D.  
 [13.4mm] DIA. - 4 HOLES @ 90° ON [76mm] B.C.D.  
 1/2" N.P.T. AIR INLET - STANDARD



**CONFIDENTIAL**

INFORMATION CONTAINED HEREIN IS CONFIDENTIAL. IT IS THE PROPERTY OF KAHLBERG INDUSTRIES INC. IT IS TO BE USED SOLELY FOR THE PURPOSE PROVIDED, AND IT IS NOT TO BE DISCLOSED TO OTHERS WITHOUT THE PRIOR WRITTEN CONSENT OF KAHLBERG INDUSTRIES INCORPORATED.

KAHLBERG INDUSTRIES INC. TWO RIVERS, WISCONSIN 54241



OUTLINE DIMENSIONS / PARTS LIST  
 MODEL K-25 AIR HORN

CAGE: 75214

Copyright Kahlberg Ind. Inc. 2010

DR.	DATE	CKD.	SCALE	DRWG. NO.	REV.
ZJN	03/19/13	EMK	N.T.S.	30246	