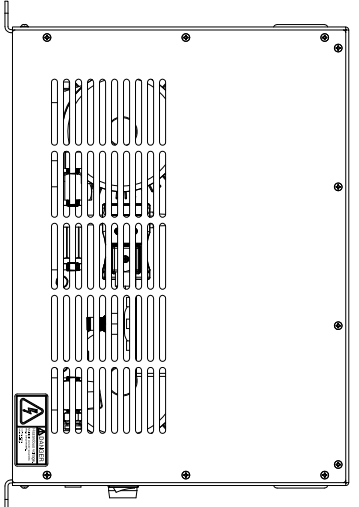
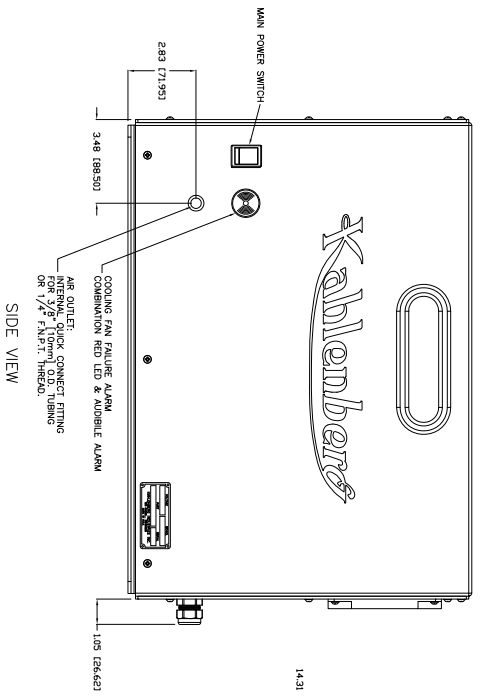


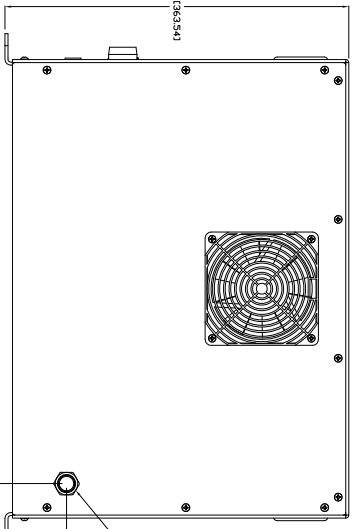
TOP VIEW



FRONT VIEW



SIDE VIEW



REAR VIEW

TECHNICAL DATA

Continuous Duty, Vibration Isolated, Thermally Protected, Oil-less, Air Cooled
 Output: 6 C.F.M. FAD @ 100 p.s.i., (170 l/m @ 8 bar)
 Max. Pressure: 120 p.s.i. (8 bar)
 Voltage Req'd: 120 VAC, 60Hz or 230 VAC, 50/60 Hz
 Max. Current: 6.8A @ 230 Volts
 13A @ 120 Volts
 Enclosure: Ingress Protection: IP21
 Materials: 5052 Aluminum, 316 Stainless Steel
 Operating Temperature Range: 32-104 deg. F., (0-40C)
 Operating Noise Level: 64dB(A) @ 1 Meter
 Weight: 66 lbs., (30kg)
 Finish: TGIC Sky White Powdercoat

KAHLENBERG INDUSTRIES, INC. TWO RIVERS, WISCONSIN 54241

OUTLINE DIMENSIONS
 KC-6 OIL-LESS
 AIR COMPRESSOR

DR.	DATE	CKD.	SCALE	DRWG. NO.	REV.
ZJN	10/23/18	EMK	N.T.S.	3-7301	

Ref. Parts List: 3-7302
 Copyright Kahlenberg Inc. Inc. 2010