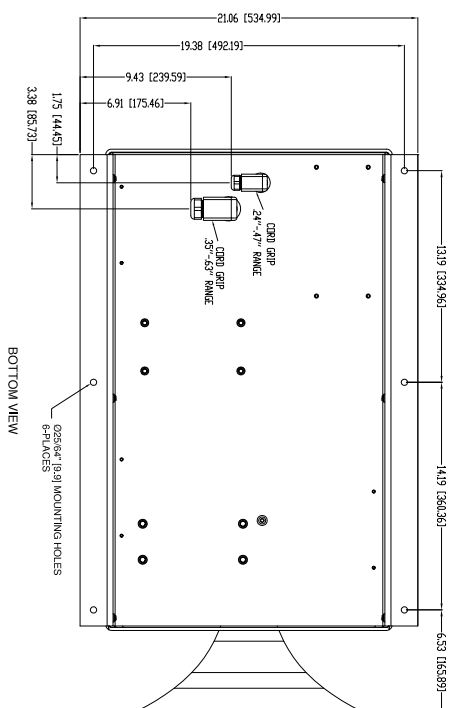
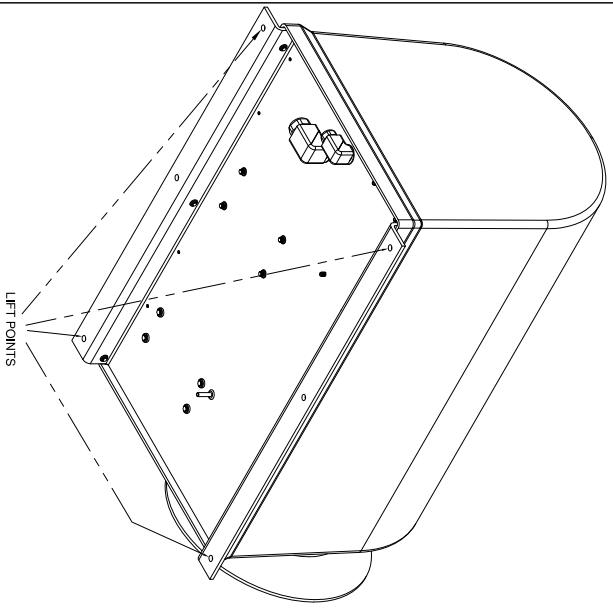
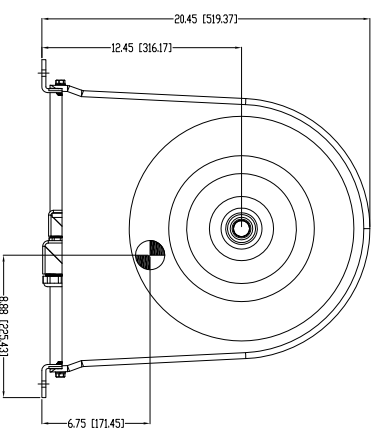
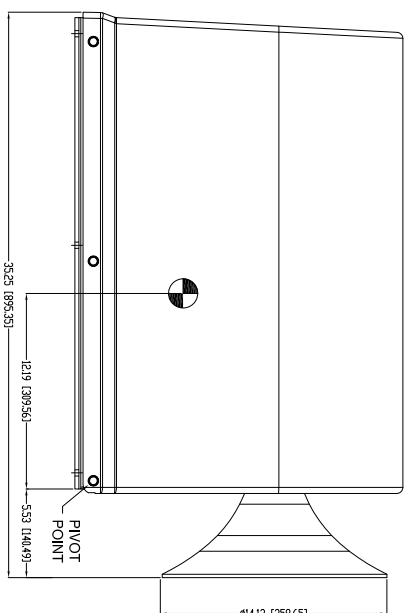
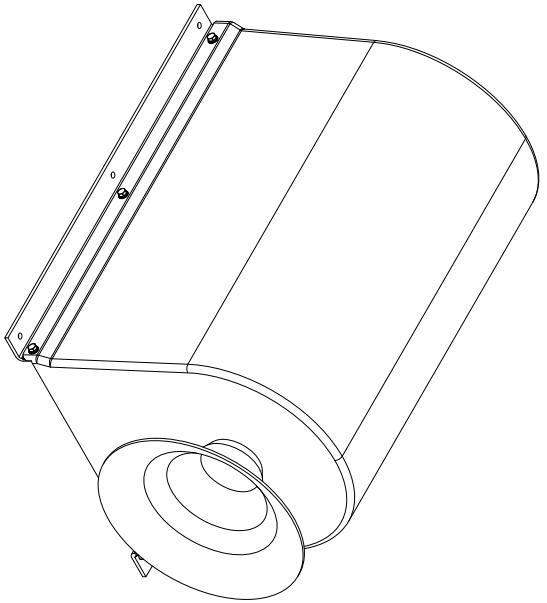


REV.	BY	DATE	DESCRIPTION	APP'D.



TECHNICAL DATA
 Frequency: 330 Hz
 Sound Pressure Level (1/3 octave at 1 meter): 138 dB
 Sound Pressure Level (dB(A) @ 1 meter): 147, 15 dB
 MOTOR: 120/240VAC 60Hz, 13.4/6.7 FLA, TEFC
 CONTROL RELAY: DPST, SEALED 12 VDC, 24 VDC, 120 VAC, 240 VAC (as specified), 30A CONTACT RATING
 HEATERS (3 COMBINED): 120 or 240 VAC (as specified), 450 TOTAL WATTS,
 SWITCH ON AT 40°F (4°C), SWITCH OFF AT 60°F (15°C)
 ELECTRICAL CONNECTIONS SHOWN ON DWG. 3-7146
 OPERATING TEMPERATURE RANGE: -40°F (-40°C) TO 140°F (60°C)
 AIR COMPRESSOR: 1.5 HP, 1800 RPM, ROTARY VANE, OILLESS TYPE
 Material: Gal Coated Fiberglass Cover, Abodine Treated Painted Aluminum Base
 Brass Horn Diver.
 Ingress protection: IP 56
 = CENTER OF GRAVITY
 = CENTER OF MOUNTING HOLES
 Net Weight: 123.5 LBS, 56 KG
 Shipping Weight: 137 LBS, 62 KG
 Cage Code: 75214

INTERIOR VIEW
 WIRING DIAGRAM
 PARTS LIST (B)

DRAWING 3-7146
 DRAWING 3-7145
 DRAWING 3-7144

CONFIDENTIAL

INFORMATION CONTAINED HEREIN IS CONFIDENTIAL, IT IS THE PROPERTY OF KAHLBERG INDUSTRIES INC. IT IS TO BE USED SOLELY FOR THE PURPOSE PROVIDED, AND IT IS NOT TO BE DISCLOSED TO OTHERS WITHOUT THE PRIOR WRITTEN CONSENT OF KAHLBERG INDUSTRIES INCORPORATED.



KAHLBERG INDUSTRIES INC. TWO RIVERS, WISCONSIN, 54241

OUTLINE DIMENSIONS
Z-320-SC HORN 120/240 VAC

DR.	DATE	CKD.	SCALE	DRWG. NO.	REV.
ZAN	05/30/17	EMK	N.T.S.	3-7062	