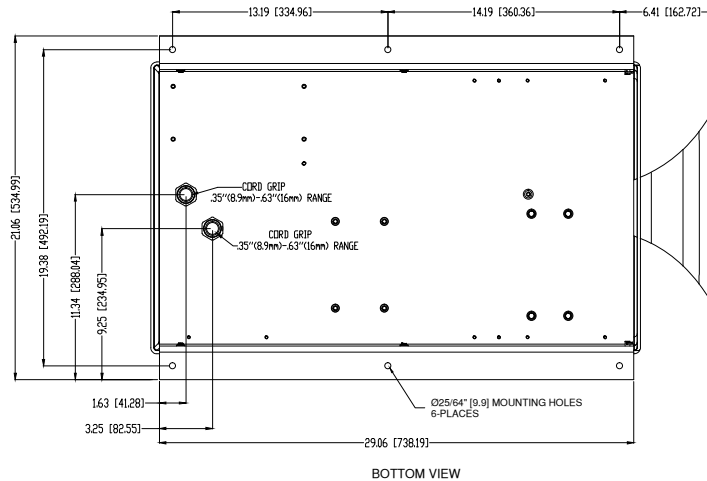
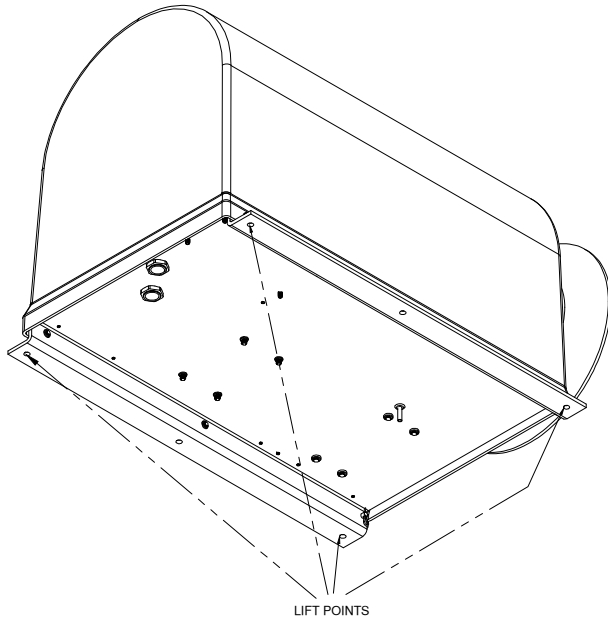
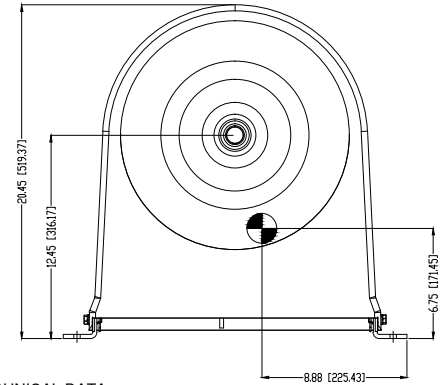
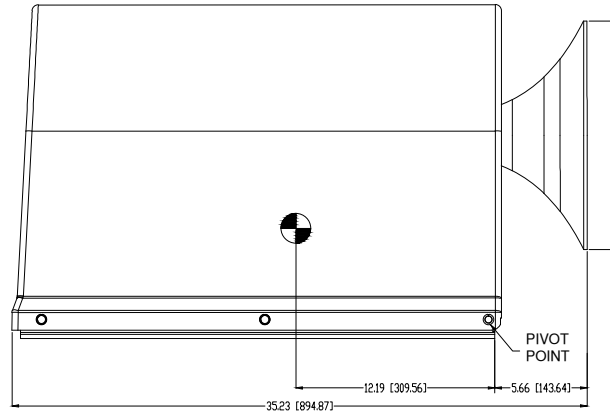
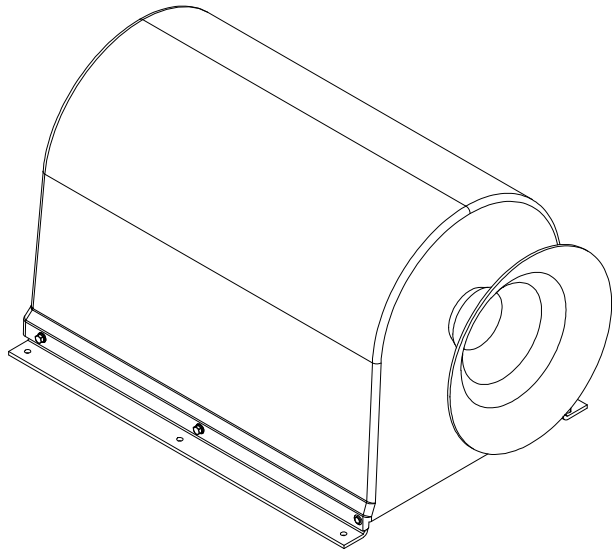


3-7062

REV.	BY	DATE	DESCRIPTION	APP'D.
A	ZN	05/30/19	UPDATED CABLE GLAND ENTRY	EMK
B	ZN	08/31/21	UPDATED CABLE GLAND ENTRY	EMK



TECHNICAL DATA

Frequency: 330 Hz
 Sound Pressure Level (1/3 octave at 1 meter): 138 dB
 Sound Pressure Level (dB(A) @ 1 meter): 147.5 dB

MOTOR 120/240VAC 60Hz, 13.4/6.7 FLA, TEFC
 CONTROL RELAY, DPST, SEALED 12 VDC, 24 VDC, 120 VAC, 240 VAC (as specified), 16A CONTACT RATING

HEATERS (3 COMBINED) 120 or 240 VAC (as specified), 450 TOTAL WATTS, SWITCH ON AT 40°F (4°C) SWITCH OFF AT 60°F (15°C)

ELECTRICAL CONNECTIONS SHOWN ON DRWG. 3-7146


OPERATING TEMPERATURE RANGE: -40°F (-40°C) TO 140°F (60°C)
 AIR COMPRESSOR: 1.5 HP, 1800 RPM, ROTARY VANE, OILLESS TYPE

Material: Gel Coated Fiberglass Cover, Alodine Treated Painted Aluminum Base Brass Horn Driver.

Ingress protection: IP 56
 ⊕ = CENTER OF GRAVITY

Net Weight: 123.5 LBS, 56 KG
 Shipping Weight: 137 LBS, 62 KG
 Cage Code: 75214

INTERIOR VIEW DRAWING 3-7146
 WIRING DIAGRAM DRAWING 3-7145
 PARTS LIST (B) DRAWING 3-7144



KAHLENBERG INDUSTRIES INC. TWO RIVERS, WISCONSIN 54241

OUTLINE DIMENSIONS

Z-320-SC HORN 120/240 VAC

DR.	DATE	CKD.	SCALE	DRWG. NO.	REV.
ZJN	05/30/17	EMK	N.T.S.	3-7062	B