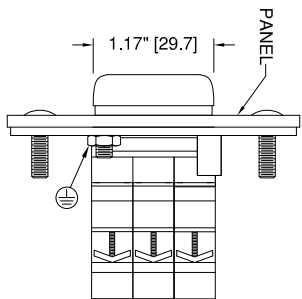
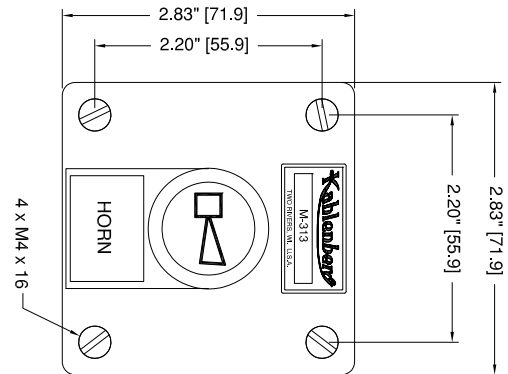


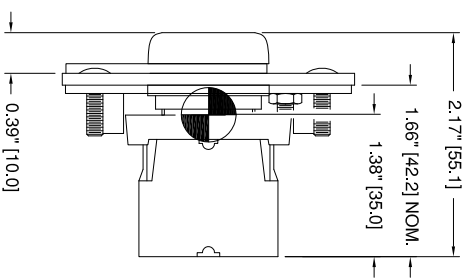
REV.	BY	DATE	DESCRIPTION	APP'D.
A	ZN	09/16/15	ADDED KAHLENBERG NAMEPLATE	EMK
B	ZN	01/25/17	ADDED CUT OUT DIMENSIONS	EMK
C	ZN	10/29/18	ADDED CENTER OF GRAVITY	EMK
D	EMK	02/14/19	CHANGED TO DPDT SWITCH	EMK



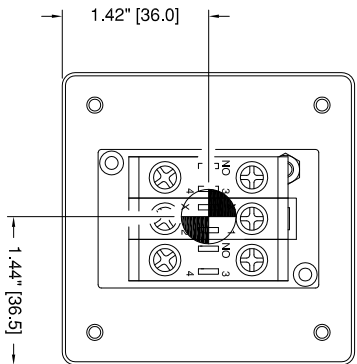
FRONT VIEW
TYPICAL PANEL MOUNTING



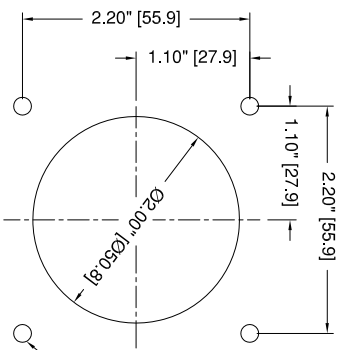
TOP VIEW



SIDE VIEW



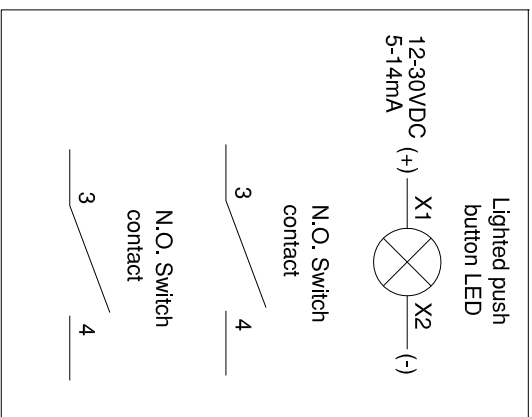
BOTTOM VIEW



CUT OUT
DIMENSIONS

Ø11/64" [4.36]
4 PLACES

Type: momentary N.O. poles circuit: DPDT,
10 A rated contacts. Maximum: 500 Volts @
2 Amps. Material: plastic body, plastic ring,
plated copper contacts. CSA certified, UL listed,
IEC/EN 60947 conformed, VDE 0660 conformed.
Ingress of Protection: IP 67 and 69K (IEC 60 529)
NEMA / UL / CSA: 12, 13, 3 R, 4X.
Lighted push button LED: 12-30VDC, 5-14mA
☉ = CENTER OF GRAVITY



CAGE: 75214
PARTS LIST DRAWING 3-6756

Copyright Kahlenberg Ind, Inc. 2010

KAHLENBERG INDUSTRIES INC. TWO RIVERS, WISCONSIN 54241				
OUTLINE DIMENSIONS M-313 PUSH BUTTON				
DR.	DATE	CKD.	SCALE	DRWG. NO.
ZJN	02/28/13	EMK	N.T.S.	3-6755
				REV. D