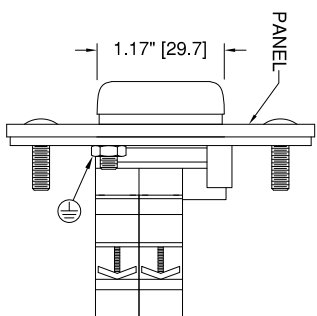
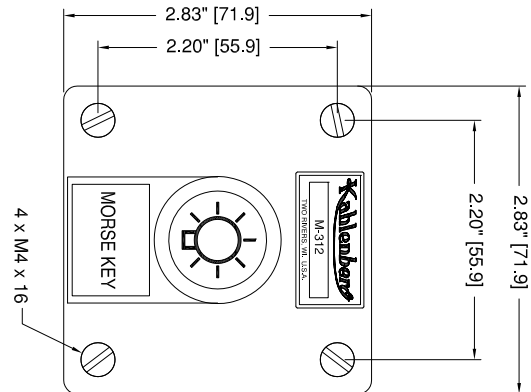


REV.	BY	DATE	DESCRIPTION	APP'D.
A	ZN	09/16/15	ADDED KAHLBERG NAMEPLATE	EMK

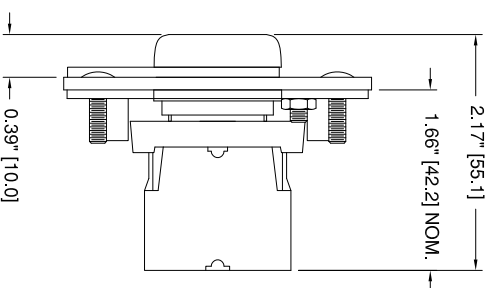


FRONT VIEW
TYPICAL PANEL MOUNTING

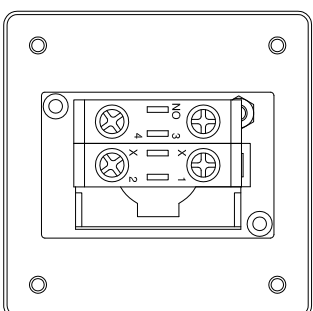
Type: momentary N.O. poles circuit: SPST, 10 A rated contacts. Maximum: 500 Volts @ 2 Amps. Material: plastic body, plastic ring, plated copper contacts. CSA certified, UL listed. IEC/EN 60947conformed, VDE 0660 conformed. Ingress of Protection: IP 67 and 69K (IEC 60 529) NEMA / UL / CSA: 12, 13, 3 R, 4X.



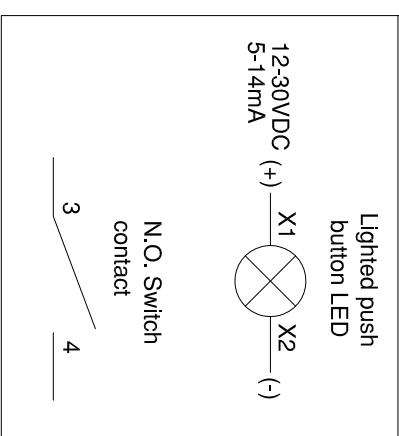
TOP VIEW



SIDE VIEW



BOTTOM VIEW



CONFIDENTIAL

INFORMATION CONTAINED HEREIN IS CONFIDENTIAL. IT IS THE PROPERTY OF KAHLBERG INDUSTRIES INC. IT IS TO BE USED SOLELY FOR THE PURPOSE PROVIDED, AND IT IS NOT TO BE DISCLOSED TO OTHERS WITHOUT THE PRIOR WRITTEN CONSENT OF KAHLBERG INDUSTRIES INCORPORATED.

KAHLBERG INDUSTRIES INC. TWO RIVERS, WISCONSIN 54241

KAHLBERG
OUTLINE DIMENSIONS
M-312 PUSH BUTTON

DR.	DATE	CKD.	SCALE	DRWG. NO.	REV.
ZJN	02/28/13	EMK	N.T.S.	3-6753	A

CAGE: 75214
PARTS LIST DRAWING 3-6754