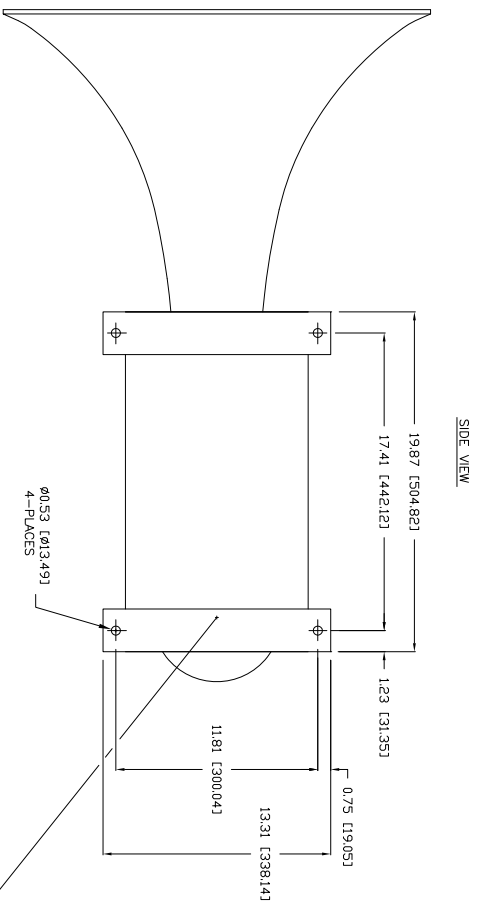
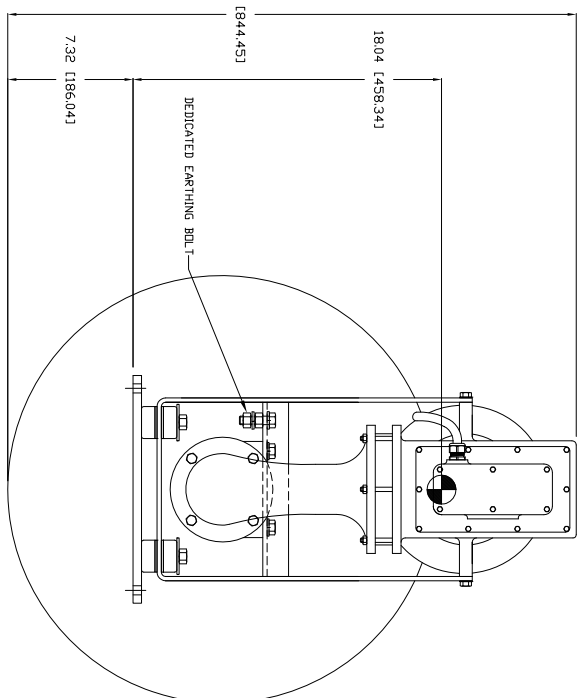
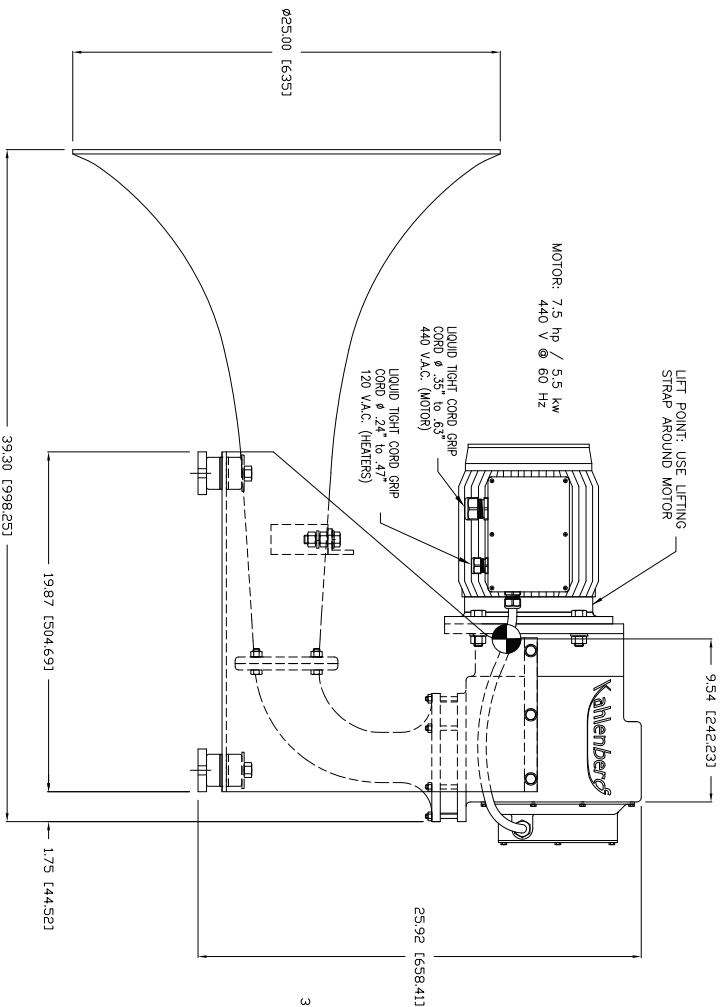


REV.	BY	DATE	DESCRIPTION	APP'D.
A	ZN	01/18/08	CHANGED MOTOR ELECTRICAL ENCLOSURE, ADDED CABLE & CORD GRIPS FOR HEATERS	EMK
B	ZN	01/18/08	REVISED TO STATE 440/120 60HZ ONLY	EMK
C	ZN	06/15/17	ADDED EARTHING BOLT	EMK



SIDE VIEW

BOTTOM VIEW

REAR VIEW

MATERIAL: TYPE 356 CAST ALUMINUM,
MOUNTING BASE A-36 STEEL,
FASTENERS 316 STAINLESS STEEL
FINISH: GREY EPOXY SILOXANE
EST. WEIGHT 220 Lbs. 100 Kg.
S.P.L. Loudness: 147 dBA @ 1 Meter, 143 dB (1/3 Octave Band) @ 1 Meter.
Fundamental Frequency: 130 Hz

R24.00 [R60960]
MAINTENANCE AREA

Kahlenberg
TWO BRANCH, WI, U.S.A.

OUTLINE DIMENSIONS

KPH-130C PISTON HORN
130 HZ, 440/120 60HZ

DR.	DATE	CKD.	SCALE	DRWG. NO.	REV.
ZJN	10/24/05	EMK	N.T.S.	3-6383	C