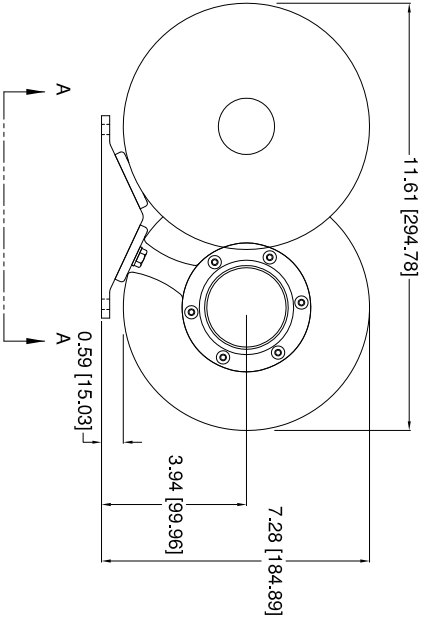
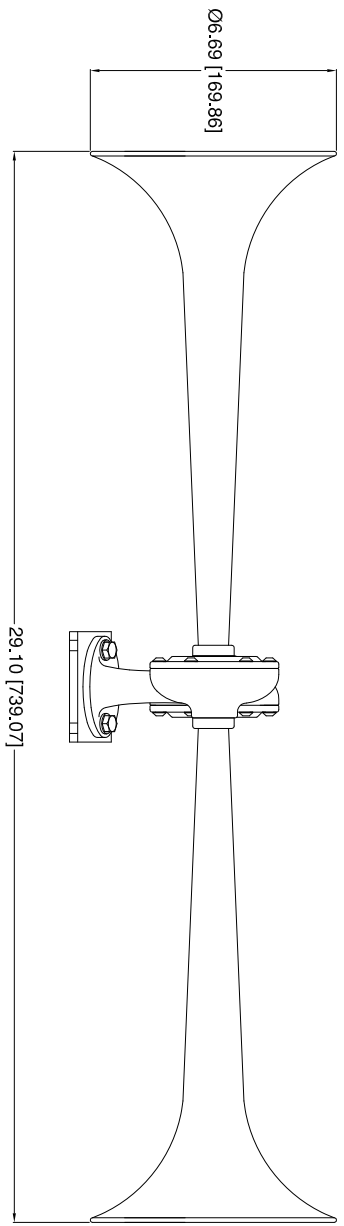
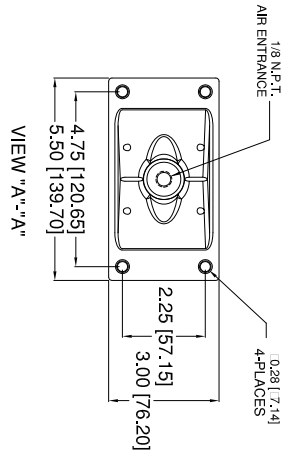
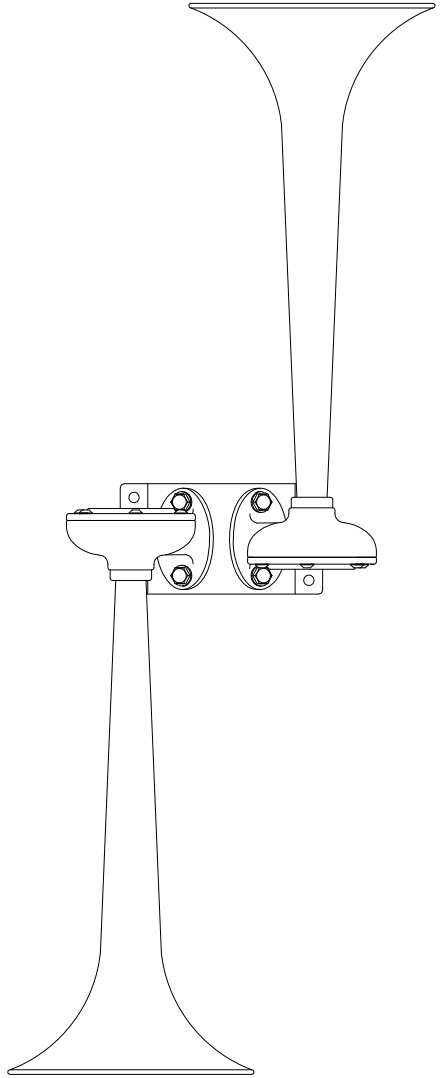


REV.	BY	DATE	DESCRIPTION	APP'D.
A	ZN	12/20/12	UPDATED TO CURRENT "O" SERIES DESIGN	EMK



TECHNICAL DATA

Frequency: 322 Hz
 Sound Pressure Level (1/3 octave at 1 meter): 122.5 dB
 Sound Pressure Level (dB(A) @ 1 meter): 133.0 dB
 Air Consumption: 17.6 C.F.M. @ 100 P.S.I.
 Air Pressure Req: 50 to 200 P.S.I.
 Electric Power: N/A
 Material: Spun Brass and Cast Bronze
 Net Weight: 9.00 Lbs.
 Shipping Weight: 14 Lbs.

Price: \$ _____ U.S.D., Net. Ea.
 (Valid for 60 days, F.O.B. Two Rivers, WI. U.S.A.)

CONFIDENTIAL

INFORMATION CONTAINED HEREIN IS CONFIDENTIAL. IT IS THE PROPERTY OF KAHLBERG INDUSTRIES INC.. IT IS TO BE USED SOLELY FOR THE PURPOSE PROVIDED, AND IT IS NOT TO BE DISCLOSED TO OTHERS WITHOUT THE PRIOR WRITTEN CONSENT OF KAHLBERG INDUSTRIES INCORPORATED.

CopyRight Kahleberg Ind. Inc. 2010



KAHLBERG INDUSTRIES INC. TWO RIVERS, WISCONSIN 54241

OUTLINE DIMENSIONS
B1-OA AIRHORN

DR.	DATE	CKD.	SCALE	DRWG. NO.	REV.
ZJN	04/29/05	EMK	N.T.S.	3-6359	A