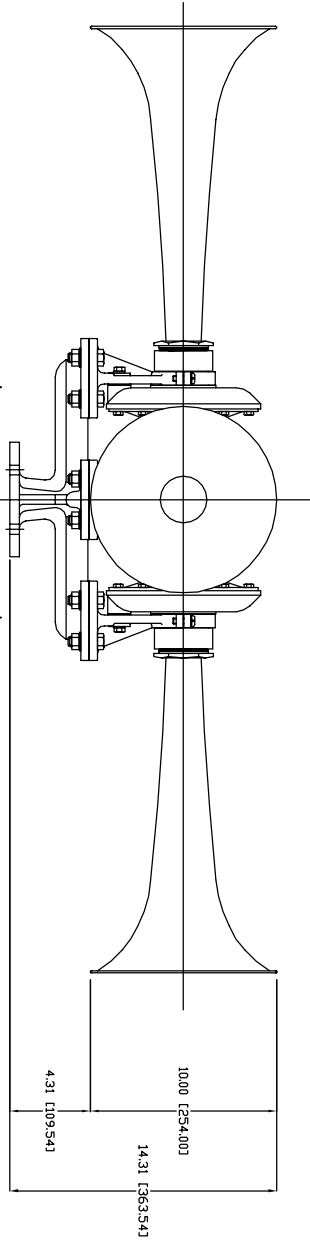


MATERIALS: CAST BRONZE & SPUN BRASS



**TECHNICAL DATA**  
 Frequency: 207 Hz  
 Sound Pressure Level ( dB(A) at 1 meter): 141dB  
 Air Consumption: appx. 96 CFM @ 150 P.S.I.  
 Air Pressure Req: 100 to 250 P.S.I.  
 Electric Power: N/A  
 Material: Spun Brass & Cast Bronze  
 Net Weight: 130 Lbs.  
 Shipping Weight: 226 Lbs.

**Kahlenberg's**  
 KAHLBERG BROS. CO. TWO RIVERS, WI. U.S.A.  
 OUTLINE DIMENSIONS  
 MODEL 0-3 AIRHORN  
 FIGURE 4832

Price: \$ \_\_\_\_\_ U.S.D. Net. Ea.  
 (Valid for 60 days, F.O.B. Two Rivers, WI. U.S.A.)

DATE	DRWG. NO.	REV.
05/15/01	3-6096	A EMK