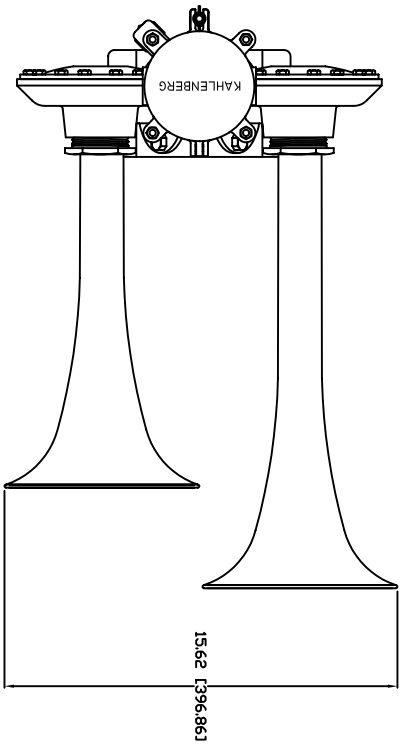
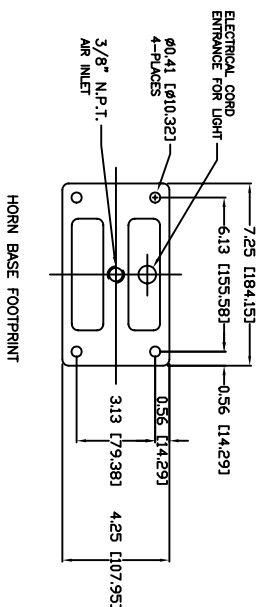
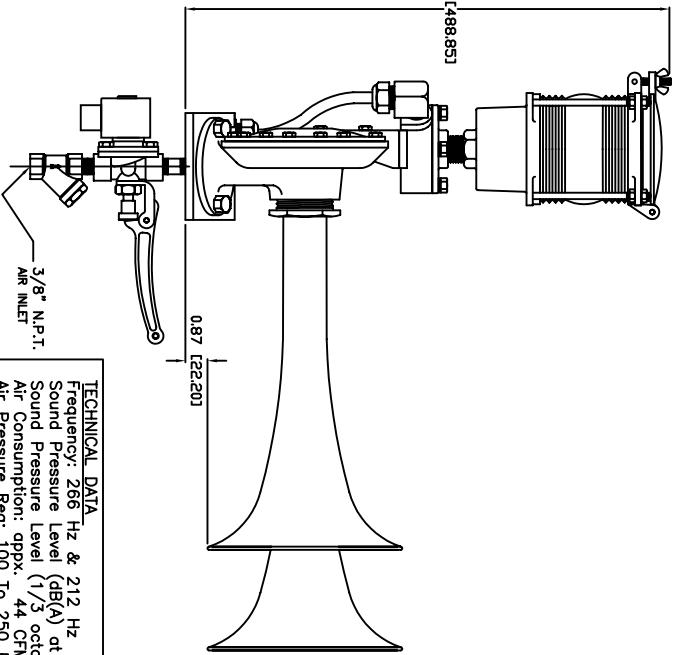
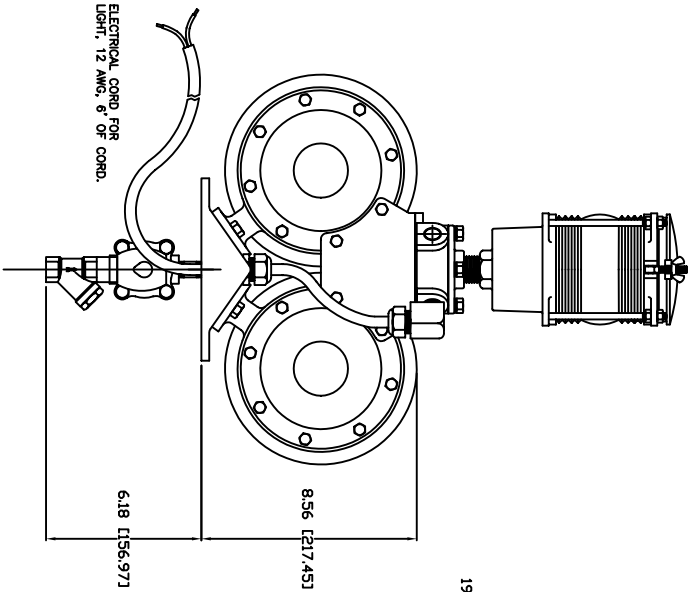


Conforming to International Maritime Regulations
For Vessels Less Than 75 Meters in Length



CURRENT REQUIREMENTS
FOR SOLENOID VALVE

VOLTAGE	AMPS
220 V.A.C.	0.05
24 V.D.C.	0.50



TECHNICAL DATA
 Frequency: 266 Hz & 212 Hz
 Sound Pressure Level (dB(A) at 1 meter): 138dB
 Sound Pressure Level (1/3 octave at 1 meter): 132dB
 Air Pressure: 100 To 250 P.S.I.
 Air Consumption: approx. 44 CFM @ 150 P.S.I.
 Air Pressure Req: 100 To 250 P.S.I.
 Electric Power: 24 V.D.C. & 220 V.A.C.
 Material: Spun Brass & Cast Bronze
 Net Weight: 44.00 Lbs.
 Shipping Weight: 51.00 Lbs.

Price: \$ _____ U.S.D. Net. Ea.
 (Valid for 60 days, F.O.B. Two Rivers, WI, U.S.A.)

Kahlenberg
 KAHLBERG BROS. CO. TWO RIVERS, WI. U.S.A.

OUTLINE DIMENSIONS
 MODEL D-2 CVL AIRHORN

DATE	DRWG. NO.	REV.
05/04/01	3-6095	A EMK