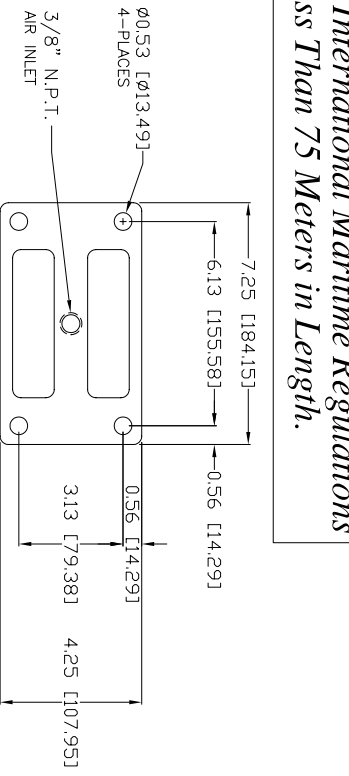
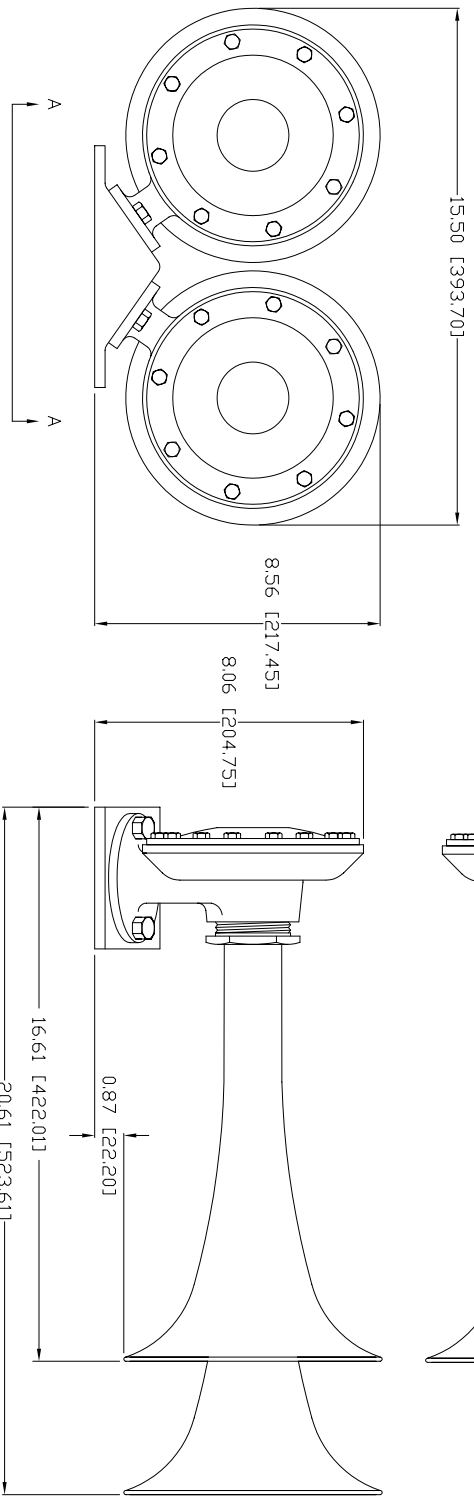


*Conforming to International Maritime Regulations
For Vessels Less Than 75 Meters in Length.*



VIEW "A"- "A"



TECHNICAL DATA
 Frequency: 266 Hz & 212 Hz
 Sound Pressure Level (1/3 octave at 1 meter): 132dB
 Sound Pressure Level (dB(A) at 1 meter): 139dB
 Air Consumption: appx. 44 CFM @ 150 P.S.I.
 Air Pressure Req: 100 To 250 P.S.I.
 Electric Power: N/A
 Material: Spun Brass & Cast Bronze
 Net Weight: 33.00 Lbs.
 Shipping Weight: 40 Lbs.

Price: \$ _____ U.S.D. Net. Ea.
 (Valid for 60 days, F.O.B. Two Rivers, WI. U.S.A.)

REVISIONS

| REV. | BY | DATE | DESCRIPTION | APP'D. |
|------|-----|----------|--|--------|
| A | ZUN | 10/16/08 | S.P.L. 1/3 OCTAVE BAND WAS 139dB S.P.L. db(A) WAS 132dB | EMK |



KAHLENBERG BROS. CO. TWO RIVERS, WI. U.S.A.

**MODEL D-2
AIRHORN**

| DATE | DRWG. NO. | REV. |
|----------|-----------|------|
| 04/12/01 | 3-6089 | A |