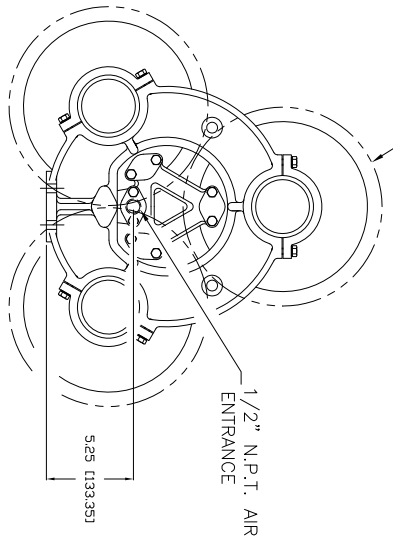
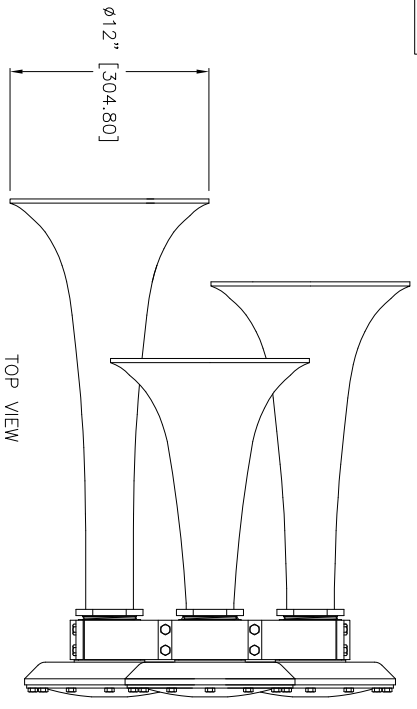


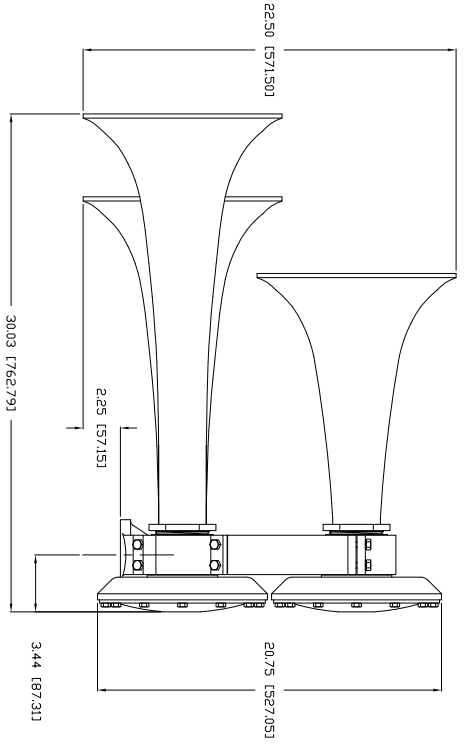
PROJECTORS IN THIS VIEW ARE DEPICTED WITH PHANTOM LINES.



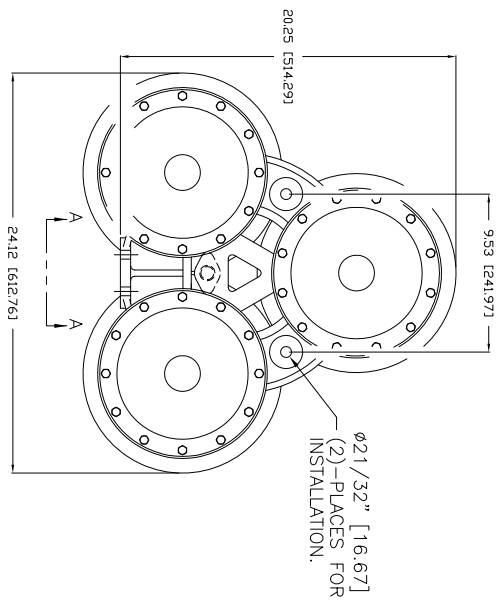
FRONT VIEW



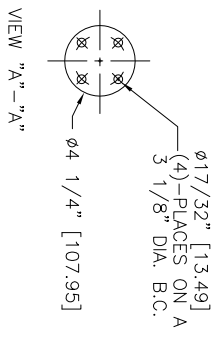
TOP VIEW



SIDE VIEW



REAR VIEW



VIEW "A-A"-"A"

TECHNICAL DATA
 Frequency: 134, 171, & 220 Hz
 Sound Pressure Level (1/3 octave at 1 meter): 141dB
 Air Consumption: oppx. 192 C.F.M. @ 150 P.S.I.
 Air Pressure Req: 100 To 250 P.S.I.
 Electric Power: Any Standard A.C. or D.C. voltage
 Material: Cast Bronze
 Net Weight: 185 lbs.
 Shipping Weight: 280 lbs.

Price: \$ _____ U.S.D. Net. Ea.
 (Valid for 60 days, F.O.B. Two Rivers, WI, U.S.A.)

CONFIDENTIAL

INFORMATION CONTAINED HEREIN IS CONFIDENTIAL. IT IS THE PROPERTY OF KAHLBERG INDUSTRIES INC. IT IS TO BE USED SOLELY FOR THE PURPOSE PROVIDED, AND IT IS NOT TO BE DISCLOSED TO OTHERS WITHOUT THE PRIOR WRITTEN CONSENT OF KAHLBERG INDUSTRIES INCORPORATED.

© Copyright Kahlberg Ind Inc. 2010

KAHLBERG INDUSTRIES INC. TWO RIVERS, WISCONSIN 54241

**OUTLINE DIMENSIONS
 MODEL T-4A AIRHORN
 FIGURE 314-C**

DR.	DATE	CKD.	SCALE	DRWG. NO.	REV.
ZJN	05/30/96	EMK	N.T.S.	3-56638	