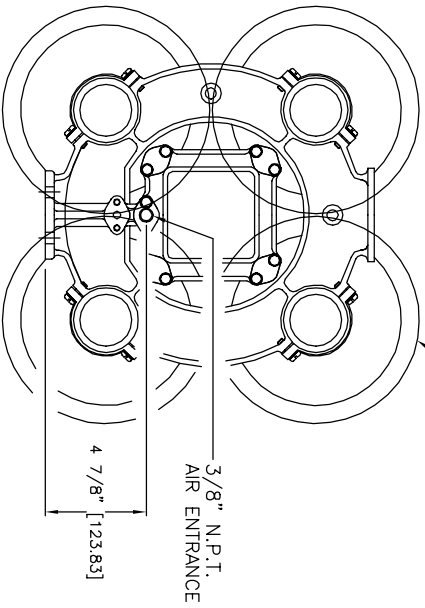
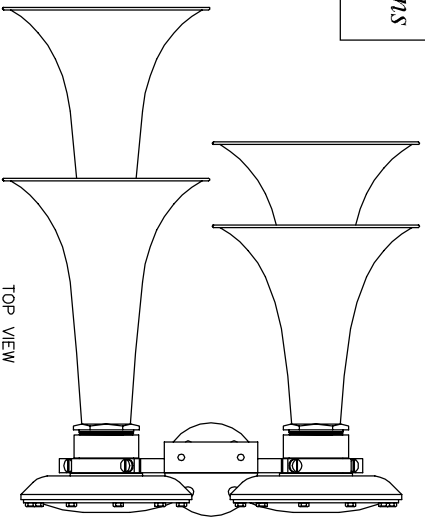


*Conforming to International Maritime Regulations
For Vessels Less Than 75 Meters in Length.*

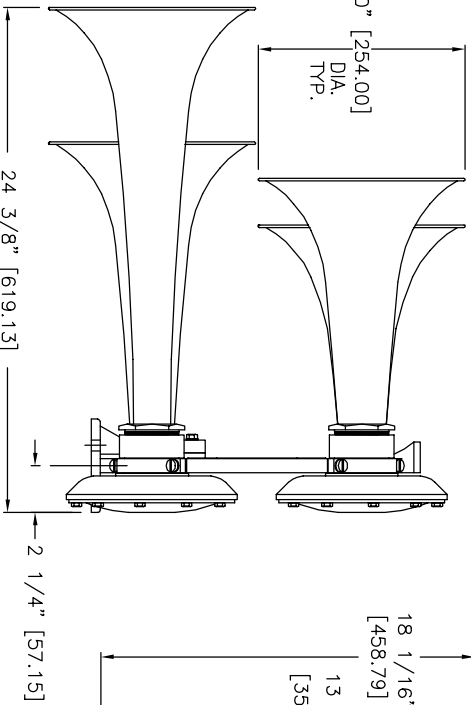
PROJECTORS IN THIS
VIEW ARE DEPICTED
WITH PHANTOM
LINES.



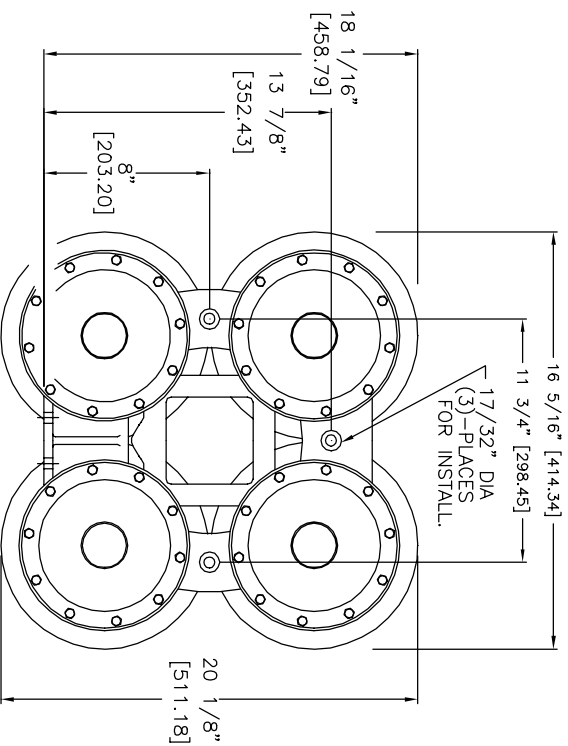
FRONT VIEW



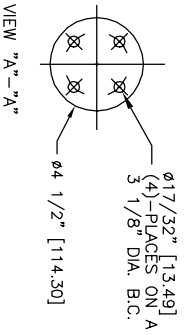
TOP VIEW



SIDE VIEW



REAR VIEW



VIEW "A"- "A"

TECHNICAL DATA

Frequency: 174, 247, 283, & 311 Hz
 Sound Pressure Level (dB(A) at 1 meter): 142dB
 Sound Pressure Level (1/3 octave at 1 meter): 136dB
 Air Consumption: appx. 96 C.F.M. @ 150 P.S.I.
 Air Pressure Req: 100 To 250 P.S.I.
 Electric Power: Any Standard A.C. or D.C. voltage
 Material: Spun Brass & Cast Bronze
 Net Weight: 100 lbs.
 Shipping Weight: 186 lbs.

Price: \$ _____ U.S.D. Net. Ea.
 (Valid for 60 days, F.O.B. Two Rivers, WI, U.S.A.)

Kahlenberg Bros. Co. TWO RIVERS, WI. U.S.A.

Kahlenberg's
OUTLINE DIMENSIONS
MODEL Q3-A, FIG. 413
AIRHORN

| DATE | DRWG. NO. | REV. |
|----------|-----------|-------|
| 04/12/01 | 3-5471 | A EMK |