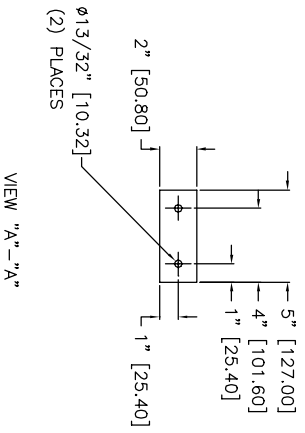
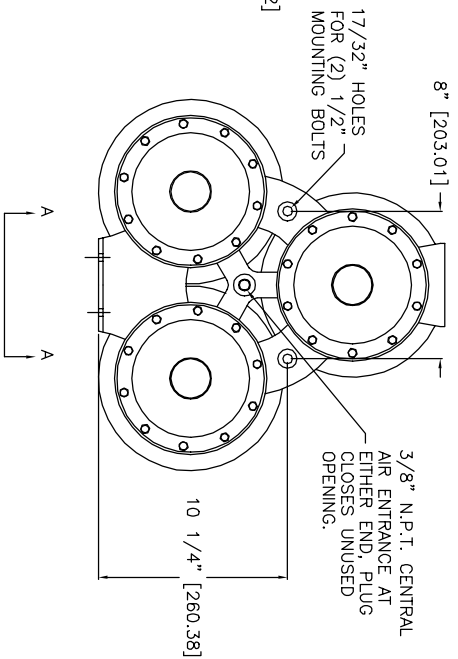
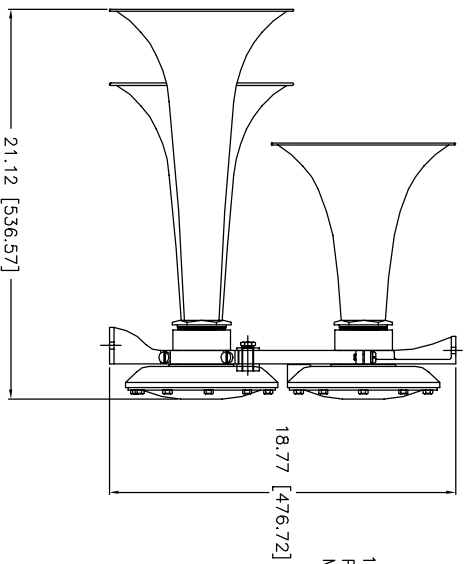
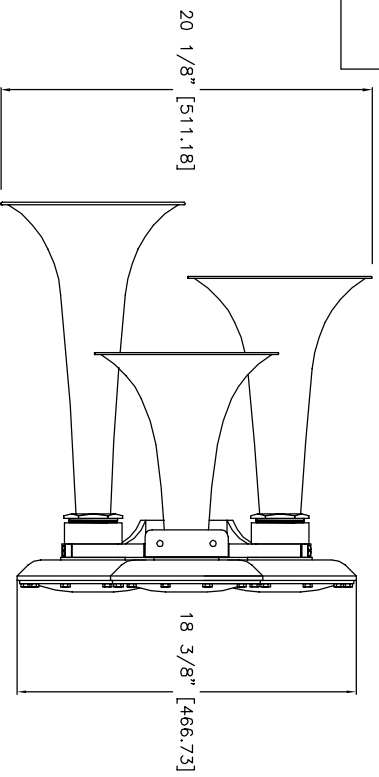


Conforming to International Maritime Regulations  
For Vessels Less Than 75 Meters in Length.



**TECHNICAL DATA**  
 Frequency: 208, 261, 311 Hz  
 Sound Pressure Level (1/3 octave at 1 meter): 142-2dB  
 Sound Pressure Level (dB(A) at 1 meter): 135dB  
 Air Consumption: appx. 78 C.F.M. @ 150 P.S.I.  
 Air Pressure Req: 100 To 250 P.S.I.  
 Electric Power: Any Standard A.C. or D.C. voltage  
 Material: Spun Brass & Cast Bronze  
 Net Weight: 75 Lbs.  
 Shipping Weight: 132 Lbs.

Price: \$ \_\_\_\_\_ U.S.D. Net. Ea.  
 (Valid for 60 days, F.O.B. Two Rivers, WI, U.S.A.)

Kahlenberg Bros. Co. Two Rivers, WI, U.S.A.

**Kahlenberg's**  
**OUTLINE DIMENSIONS**  
**MODEL T-3A, FIG. 313**  
**AIRHORN**

DATE	DRWG. NO.	REV.
04/12/01	3-5446	A EMK