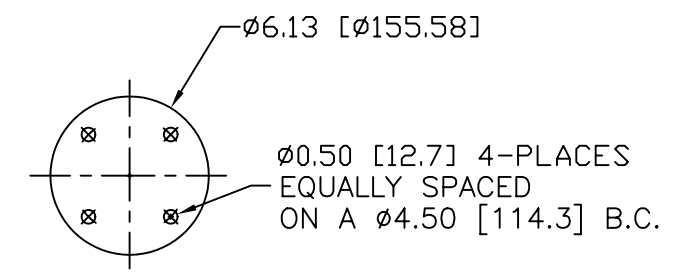
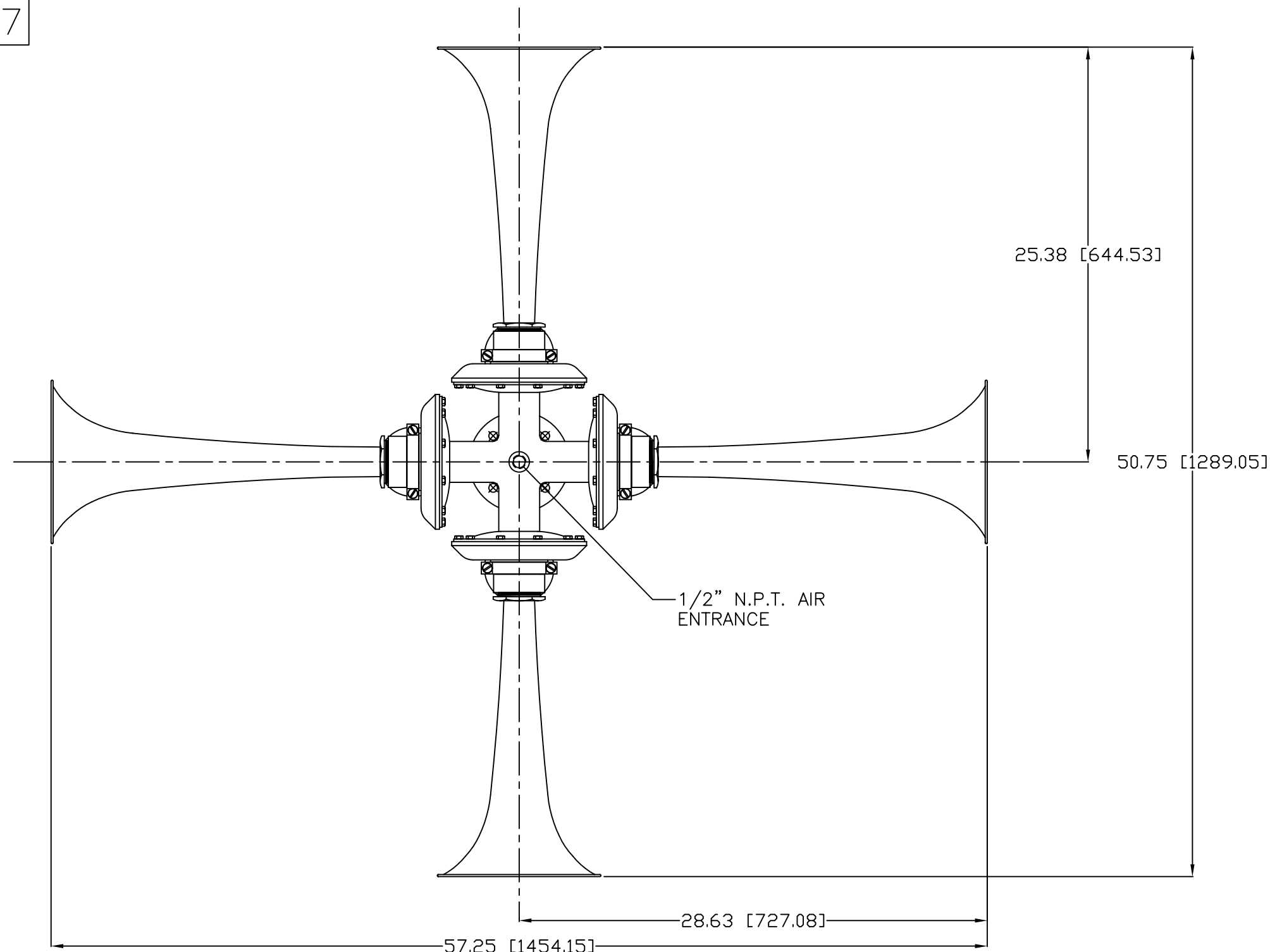


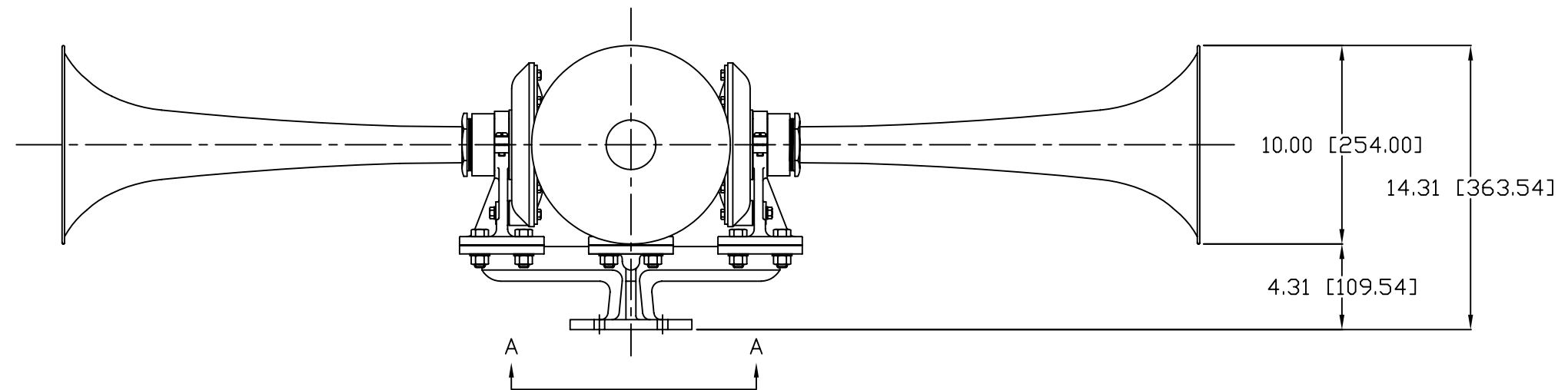
3-4627

REV.	BY	DATE	DESCRIPTION	APP'D.



VIEW "A"-"A"

FREQUENCIES: 179Hz. & 207 Hz.  
 MATERIALS: CAST BRONZE & SPUN BRASS



**Kahlenberg**  
 KAHLENBERG BROS. CO. TWO RIVERS, WISCONSIN 54241

OUTLINE DIMENSIONS  
 MODEL Q-3 FIGURE 4833  
 CHIMETONE AIRHORN

DR.	DATE	CKD.	SCALE	DRWG. NO.	REV.
ZJN	05/04/00	EMK	N.T.S.	3-4627	D