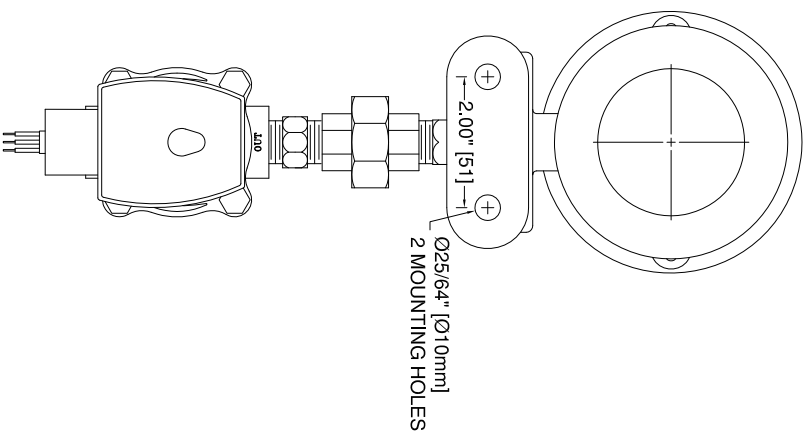
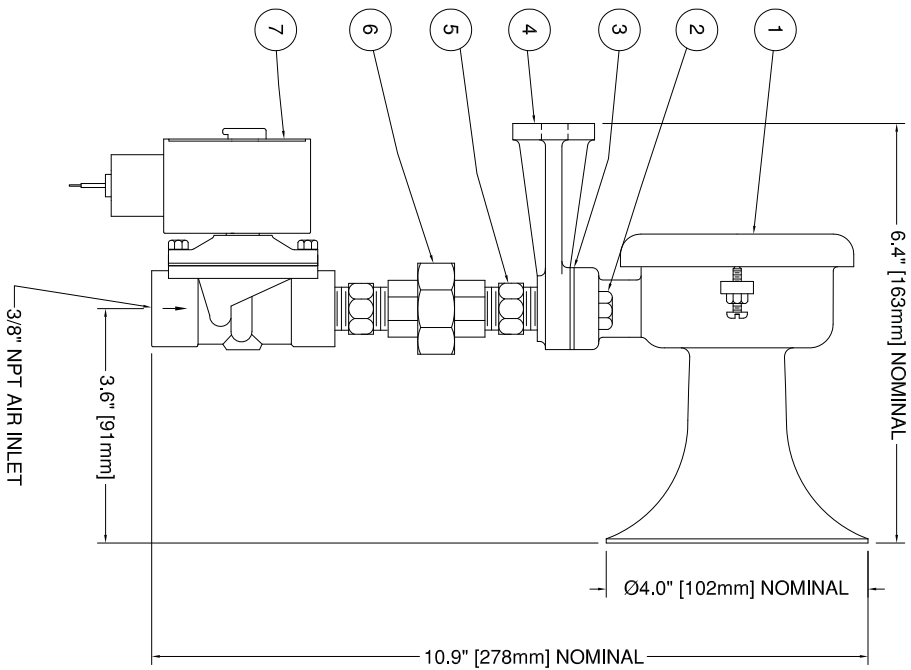


REV.	BY	DATE	DESCRIPTION	APP'D.
------	----	------	-------------	--------



ALL DIMENSIONS SHOWN ARE FOR REFERENCE ONLY, UNLESS OTHERWISE SPECIFIED

REF	PART	DESCRIPTION	MATERIAL	SPECIFICATION	QTY
1	31000	MODEL CA AIR HORN	ASSEMBLY	DWG. NO: 31000	1
2	31011	H.H. CAP SCREW 5/16" -18 x 3/4"	BRONZE	AISI-C12L15	2
3	31013	GASKET	CORK/NEOPRENE	CSA CERTIFIED	1
4	31016	T BRACKET FOR VERTICAL MOUNT	BRONZE	SAE-40	1
5	31023	HEX NIPPLE 3/8"	BRASS	ASTM-B16	2
6	85543	3/8" NPT UNION	STAINLESS STEEL	ANSI B16.3	1
7	10906	3/8" NPT SOLENOID VALVE, 120 VAC	ASSEMBLY	DWG. NO: 10985	1

**CONFIDENTIAL**

INFORMATION CONTAINED HEREIN IS CONFIDENTIAL. IT IS THE PROPERTY OF KAHLBERG INDUSTRIES INC. IT IS TO BE USED SOLELY FOR THE PURPOSE PROVIDED, AND IT IS NOT TO BE DISCLOSED TO OTHERS WITHOUT THE PRIOR WRITTEN CONSENT OF KAHLBERG INDUSTRIES INCORPORATED.

KAHLBERG INDUSTRIES INC.



TWO RIVERS, WISCONSIN 54241

OUTLINE DIMENSIONS / PARTS LIST  
 MODEL CA-E-120 AIR HORN  
 WITH 3/8" NPT SOLENOID VALVE, 120 VAC

DR.	DATE	CKD.	SCALE	DRWG. NO.	REV.
ZJN	03/19/13	EMK	N.T.S.	15472	

CAGE: 75214