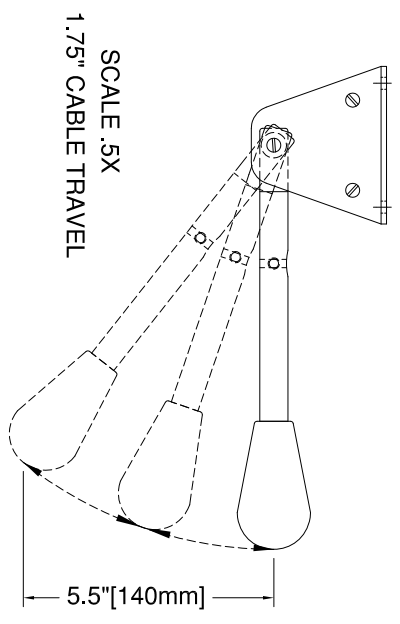
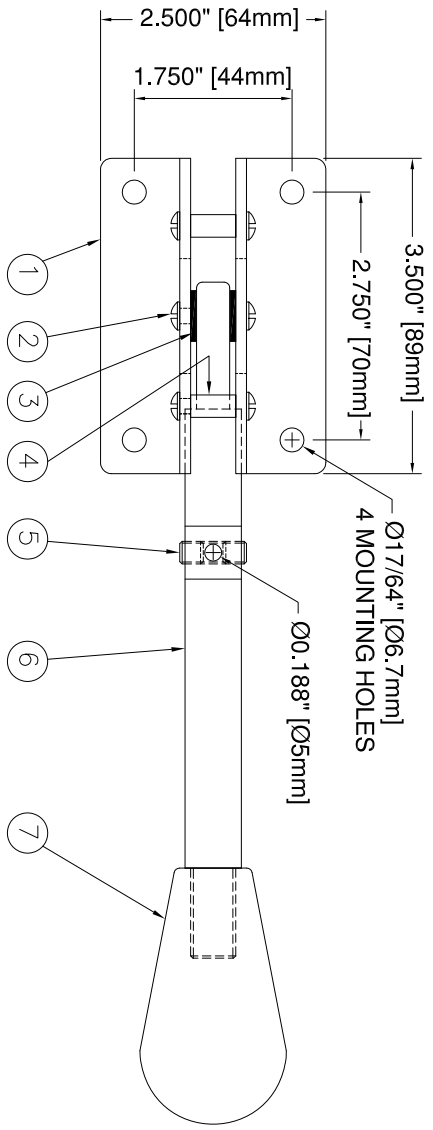
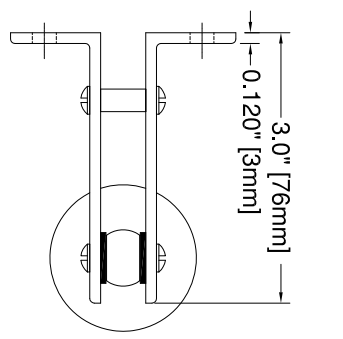
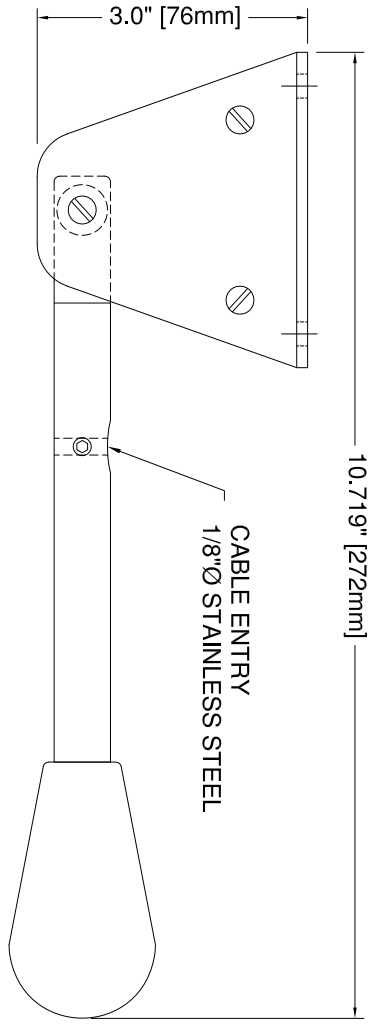


REV.	BY	DATE	DESCRIPTION	APP'D.



SCALE .5X
1.75" CABLE TRAVEL



ALL DIMENSIONS ARE FOR REFERENCE PURPOSE, UNLESS OTHERWISE SPECIFIED
Stainless Steel, Phenolic

REF PART	DESCRIPTION	MATERIAL	SPECIFICATION	QTY
1 14752	SUPPORTING FLANGE	STAINLESS STEEL	UNS S30400	2
2 31049	PAN HD MACH SCREW	STAINLESS STEEL	ASA B18.6	6
3 14758	PLAT WASHER	TEFLON	COMMERCIAL	2
4 14756	SPACER, THREADED 8-32	BRASS NICKEL PLATED	COMMERCIAL	3
5 10643	HEX SOCKET SET SCREW	STAINLESS STEEL	ASA B18.6	2
6 14750	HANDLE	STAINLESS STEEL	UNS S30400	1
7 14754	HAND KNOB	PHENOLIC	COMMERCIAL	1

CONFIDENTIAL

INFORMATION CONTAINED HEREIN IS CONFIDENTIAL, IT IS THE PROPERTY OF KAHLBERG INDUSTRIES INC., IT IS TO BE USED SOLELY FOR THE PURPOSE PROVIDED, AND IT IS NOT TO BE DISCLOSED TO OTHERS WITHOUT THE PRIOR WRITTEN CONSENT OF KAHLBERG INDUSTRIES INCORPORATED.



KAHLBERG INDUSTRIES INC. TWO RIVERS, WISCONSIN 54241

OUTLINE DIMENSIONS
MODEL WP-14850
WHISTLE PULL ASSEMBLY

CAGE: 75214

Copyright Kahlberg Ind. Inc. 2010

DR.	DATE	CKD.	SCALE	DRWG. NO.	REV.
ZJN	03/19/13	EMK	N.T.S.	14850	