

Model WL-11720

The WL-11720 navigation light is a single all round white light typically installed for morse/maneuvering signaling, and as additional visual indication of sound signals.



Material: Polycarbonate, non metallic

Degree of Protection: IP 56

Basic Dimension: 220mm x 220mm x 320mm
[8.75" x 8.75" x 12.75"]

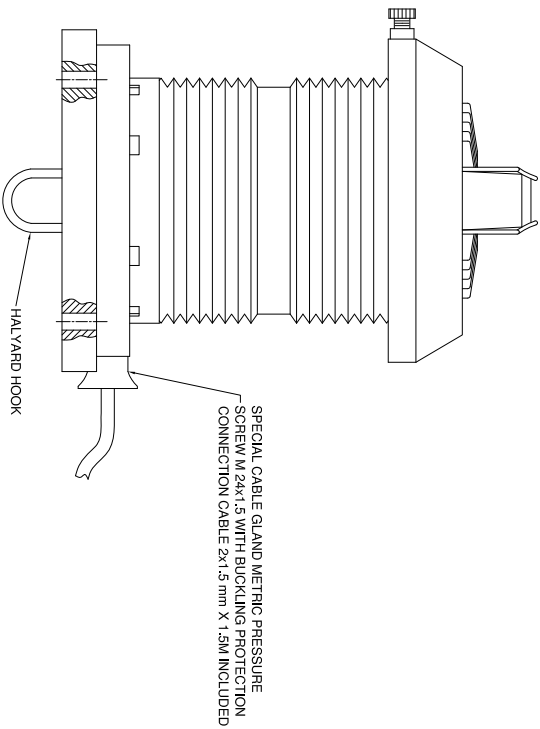
Net Weight: 2.7 kg [6 lbs]

P28s Socket Base for special tungsten bulb

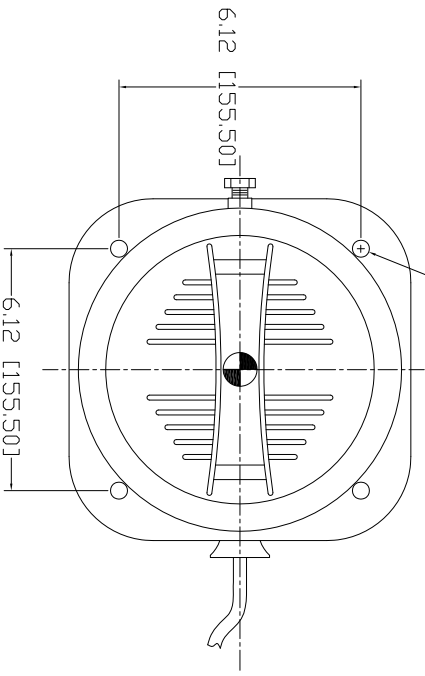
Bulb not included

- **Durable polycarbonate housing**
- **Plastic Fresnel Lens**
- **Minimum visibility 3 nm, 5nm as maneuvering light, 6nm as masthead light**
- **Self Ventilated**
- **MED/IMO/BSH/USCG/CCS Approved for vessels over 20 Meters in length**

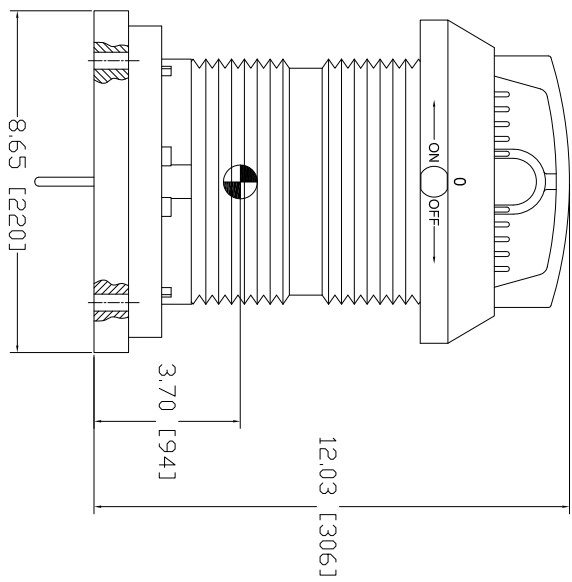
REV.	BY	DATE	DESCRIPTION	APP'D.
A	ZN	10/29/18	ADDED CENTER OF GRAVITY	EMK



HALYARD HOOK



∅0.43 [∅11], 4 Mounting holes



SPECIFICATIONS:

Allround white single tier navigation light, surface mount.
 Protection class: IP 56.
 Minimum visibility 3 n.m., masthead light 6 n.m., Morse/manoeuvr 5 n.m.
 Material: Polycarbonate housing, acrylic fresnel lens, glass fibre reinforced, non-corroding components.
 IMO / Canadian DOT approved, COLREG-72 conformed.
 Use 65 Watts navigation lamp for vessels over 50 meters.
 LAMPS: 24V DC/40W (Part no.: 11728)
 120V AC/60W (Part no.: 11730)
 220V AC/65W (Part no.: 11732)

NOTE: Navigation lamp sold separately, specify voltage when order.



= CENTER OF GRAVITY

Kahleberg

KAHLEBERG INDUSTRIES INC. TWO RIVERS, WISCONSIN 54241

OUTLINE DIMENSIONS
11720 NAVIGATION LIGHT
FOR VESSELS OVER 50 M

DR.	DATE	OKD.	SCALE	DRWG. NO.	REV.
ZJN	03/19/13	EMK	N.T.S.	11720	A

CAGE: 75214

Copyright Kahleberg Ind., Inc. 2010