



**SOUND SIGNALING EQUIPMENT**  
Accessories - Solenoid Valve Kits

## Model V-149-K Solenoid Valve Kit

The Kahlenberg V-149-K Solenoid Valve Kit is specified for use with the Kahlenberg D-330 model Air Horn, but can be used with other Kahlenberg Air Horns that include 1/8" air inlets.



### Technical Details

**Voltage:** 12 V.D.C., 24 V.D.C., 110-120 V.A.C., or 220-240 V.A.C. 50/60 Hz as specified

**Inlet/Outlet Thread:** 1/8" NPT

**Power Required:** 18.6 watts

**Body Material:** Brass

**Max Pressure:** 165 p.s.i., 11.38 bar

**Weight:** .41 lbs., .19 kg

**Coil Class:** FB

**Temperature Range:** -25 C to 55 C  
(-13 F to 131 F)

### V-149-K Solenoid Valve Kit also includes:



**Instant Connect Air Fittings for 5/16" (8mm) O.D. Nylon Tube**



**Mounting Bracket for Horizontal or Vertical Mount**



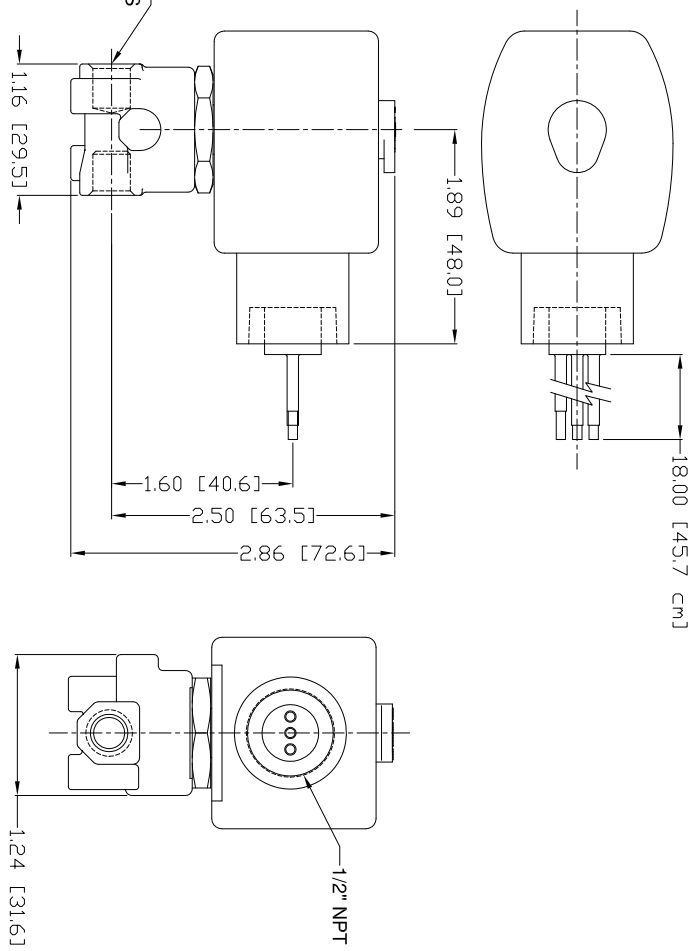
**10 ft. (3 Meters) Nylon Tubing for air supply connection**

**See Technical Drawing 3-6674 for details on reverse.**

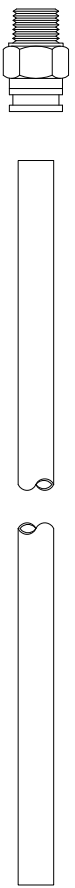
Kahlenberg Industries, Inc.  
1700 12th Street, P.O. Box 358  
Two Rivers, WI 54241 U.S.A.

[www.kahlenberg.com](http://www.kahlenberg.com)

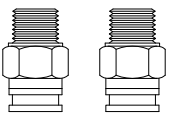
REV.	BY	DATE	DESCRIPTION	APP'D.



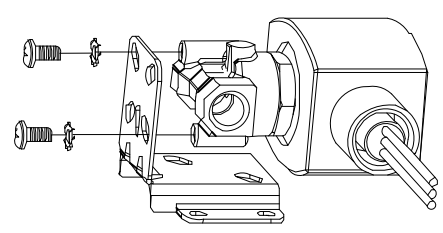
**MAXIMUM AIR INLET PRESSURE:** 165 PSI (11.38 bar)  
**INLET/OUTLET THREAD:** 1/8" NPT  
**VOLTAGES AVAILABLE:** 12 VDC, 24 VDC, 110-120 50/60 Hz V. A.C., 220-240 50/60 Hz V.A.C.  
**WATTS:** 18.6  
**BODY MATERIAL:** BRASS  
**COIL CLASS:** FB  
**MAXIMUM AMBIENT TEMPERATURE:** 131° F (55° C)  
**MINIMUM AMBIENT TEMPERATURE:** -13° F (-25° C)  
**MASS:** 0.41 lb (0.19 Kg)  
**REBUILD KIT:** V-149-R



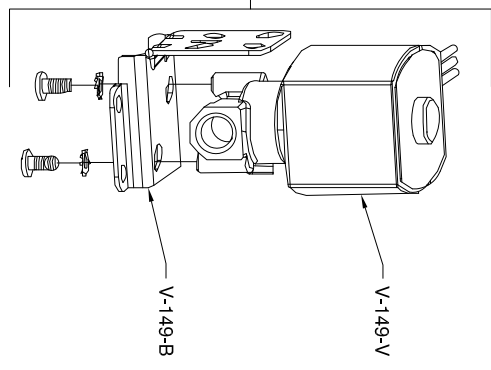
**PT130-004**  
**TUBING, NYLON, BLACK, 5/16" [8mm] O.D. X 10' [3m]**



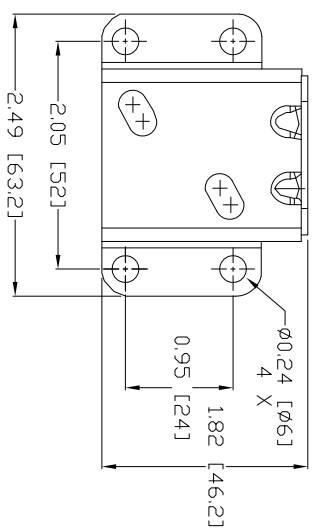
**PS16-03 CONNECTOR (3)**  
**1/8" NPT X 5/16" [8mm]**  
**O.D. TUBE**



VERTICAL SURFACE MOUNTING



HORIZONTAL SURFACE MOUNTING



V-149-B MOUNTING BRACKET

**CONFIDENTIAL**

INFORMATION CONTAINED HEREIN IS CONFIDENTIAL. IT IS THE PROPERTY OF KAHLBERG INDUSTRIES INC. IT IS TO BE USED SOLELY FOR THE PURPOSE PROVIDED AND IT IS NOT TO BE DISCLOSED TO OTHERS WITHOUT THE PRIOR WRITTEN CONSENT OF KAHLBERG INDUSTRIES INCORPORATED.

Copyright Kahlberg Ind. Inc. 2010



KAHLBERG INDUSTRIES INC. TWO RIVERS, WISCONSIN 54241

**OUTLINE DIMENSIONS**  
**V-149-V & V-149-K 1/8" NPT SOLENOID VALVE**

DR.	DATE	CKD.	SCALE	DRWG. NO.	REV.
ZJN	01/11/12	EMK	N.T.S.	3-6674	