

### Model T-3A Air Horn

Designed for use on vessels up to 75 Meters in length, the Kahlenberg Model T-3A Air Horn is an extremely durable unit built for a lifetime of trouble-free service. The T-3A Air Horn produces a three note musical chord that draws attention due to its unique sound which penetrates background noise more effectively than a single tone horn. This horn is also available with maneuvering light installed..



#### TECHNICAL DATA

Fundamental Frequency: 208, 261, 311 Hz  
S.P.L. : (1/3 Octave @ 1 Meter): 135 dB

Air Consumption:

52 C.F.M. @ 100 p.s.i., 8 l/s @ 7 bar

Air Pressure Required:

100 to 250 p.s.i., 7 to 17 bar  
(Higher pressures with optional regulators)

Electrical Power Required:

Any standard A.C. or D.C. Voltage

Material: Cast Bronze and Spun Brass

Net Weight: 75 lbs., 34 kg.,

Finish:

None, White Powdercoat or Chrome Plate

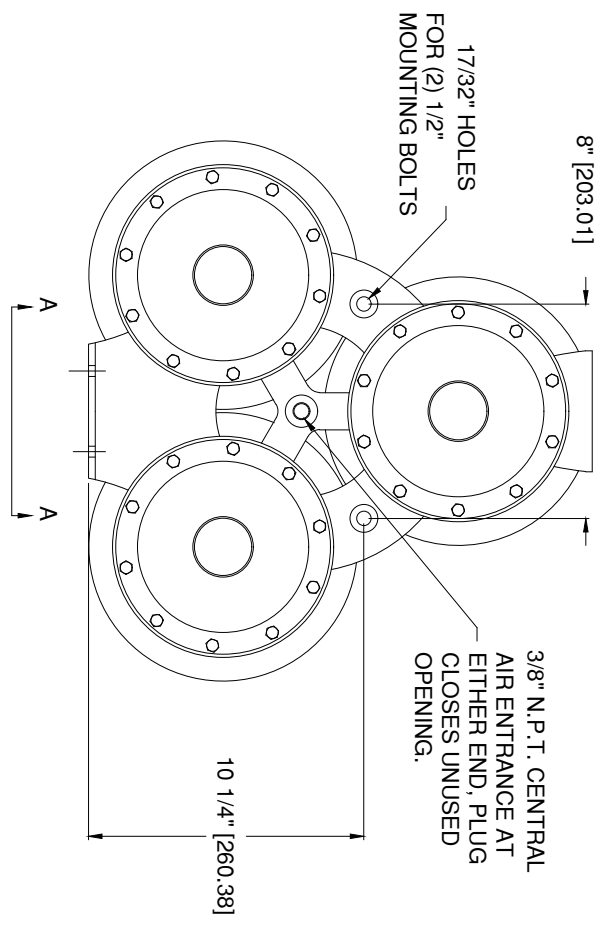
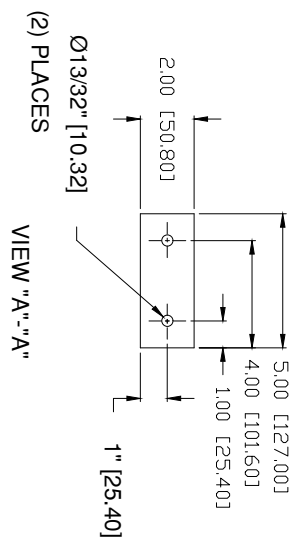
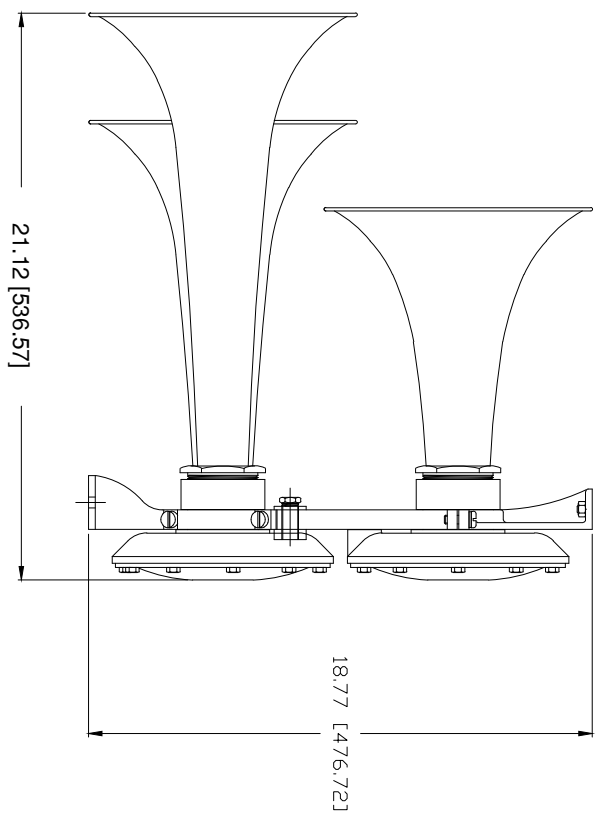
Dimensions:

21" x 18.5" x 19" (533x469x483)

- **FOR VESSELS LESS THAN 75 METERS IN LENGTH**
- **MEETS OR EXCEEDS IMO REQUIREMENTS**
- **OPERATES ON A WIDE RANGE OF AIR PRESSURE**
- **HIGHLY RELIABLE, VIRTUALLY NO MAINTENANCE**
- **OPERATES WITH REMOTE MANUAL/SOLENOID VALVES, AIR STRAINER.**
- **AVAILABLE WITH OPTIONAL MANEUVERING LIGHT**

3-5446

REV.	BY	DATE	DESCRIPTION	APP'D.
A	ZJN	06/01/21	UPDATED SOUND PRESSURE LEVELS	EMK



**TECHNICAL DATA**  
 Frequency: 208, 261, 311 Hz  
 Sound Pressure Level (1/3 octave at 1 meter): 135dB  
 Sound Pressure Level (dB(A) at 1 meter): 142,2dB  
 Air Consumption: appx. 78 C.F.M. @ 150 P.S.I.  
 Air Pressure Req: 100 To 250 P.S.I.  
 Electric Power: Any Standard A.C. or D.C. voltage  
 Material: Spun Brass & Cast Bronze  
 Net Weight: 75 Lbs.  
 Shipping Weight: 132 Lbs.

**Kahlenberg**  
 KAHLBERG INDUSTRIES, INC.  
 TWO RIVERS, WISCONSIN 53441

**OUTLINE DIMENSIONS**  
**T-3A AIR HORN**  
**FIGURE 313**

DR.	DATE	CKD.	SCALE	DRWG. NO.	REV.
ZJN	04/12/01	EMK	N.T.S.	3-5446	A