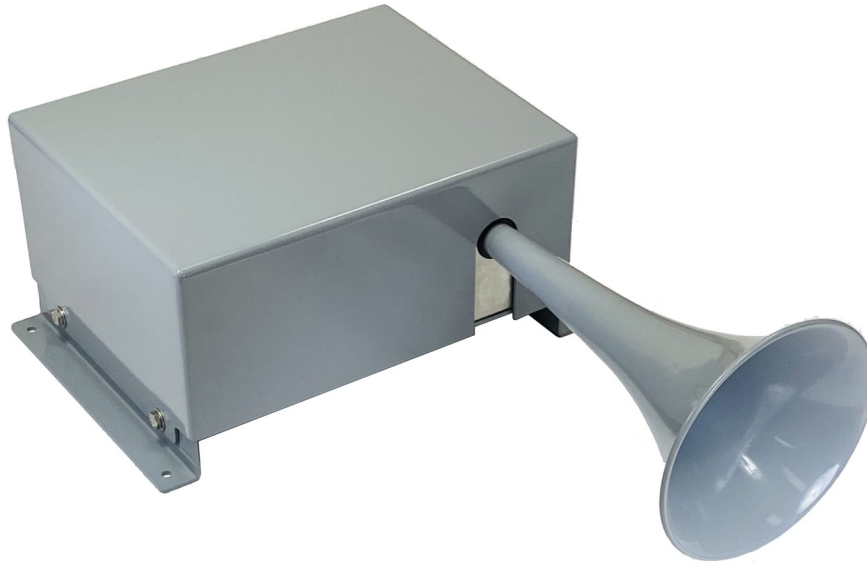


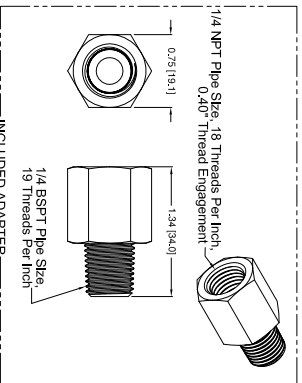
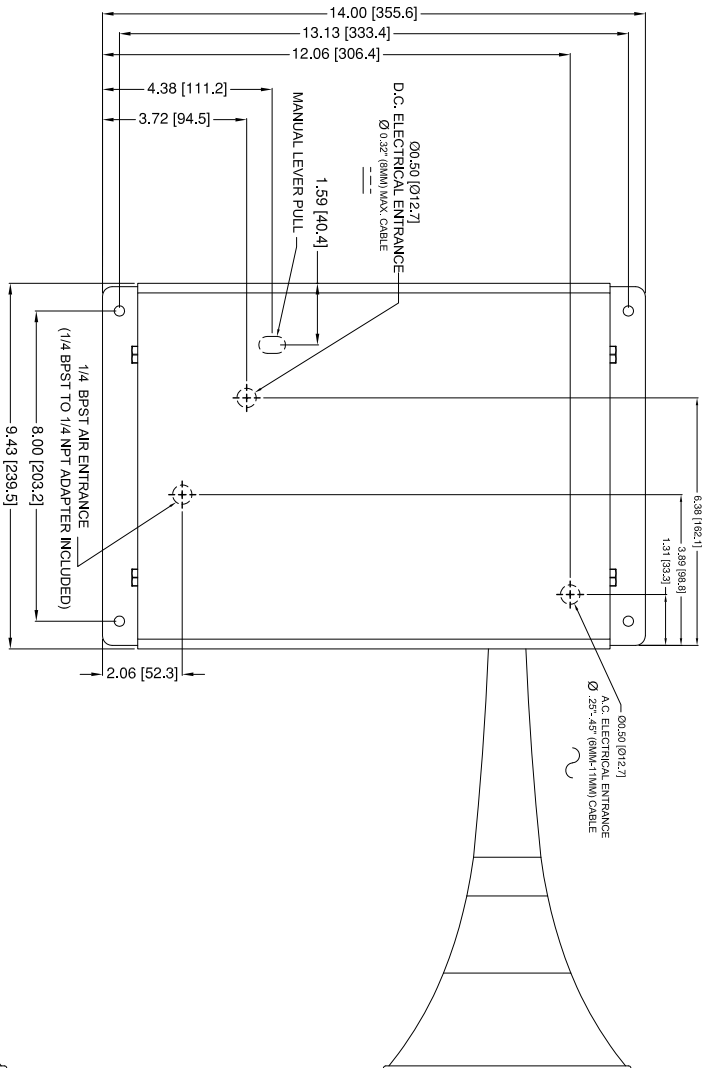
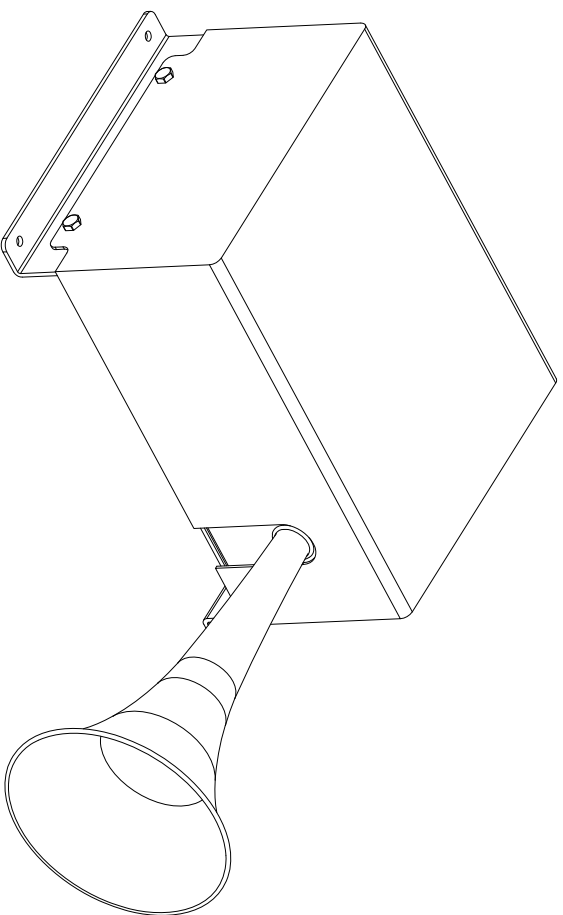
Single Tone Heated Air Horn

IMO / COAST GUARD CERTIFIED FOR CLASS III MARINE VESSELS
20 TO 75 METERS IN LENGTH



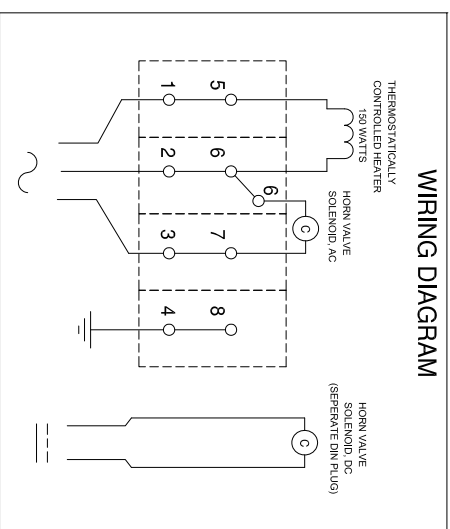
Control Voltage:	Manual pull, 230 or 120 VAC, and 24VDC
SPL (Loudness) on Total:	136 ± 1 dBA @ 1 meter
SPL (Loudness) 1/3 Octave:	131.9 dB @ 1 meter
Air Consumption:	4.2L/sec [9 SCFM] on 7 bars [100 psi]
Air Pressure Req'd:	5.2 to 10 bar (75 to 150 p.s.i.)
IMO Audibility Range:	1 nautical mile
Fundamental Frequency:	330 Hz
Materials:	Brass, Stainless Steel, Aluminum Bracket
Voltage and Consumption:	Control: 8 watts A.C., 10 Watts D.C. Heater: 150 Watts A.C.
Operating Temperature:	-40°C to +80°C [25°F to +176°F]
Net Weight:	8.2 kg (18 lbs.)
Finish:	TGIC Gray Powdercoat
Degree of Protection:	IP56

- **Brass horn (not plastic) with titanium diaphragm, isolated in aluminum enclosure, stainless steel fasteners to withstand the harsh marine environment**
- **Heated combination manual override and dual electric solenoid operating valve for redundancy providing safety of vessel and crew**
- **Entire horn and valve assembly is internal, heated, and thermostatically controlled**
- **Horn assembly is lightweight and easily installed**



CONVERSION

1 PSI = 0.0689 BAR
1 CFM = 0.4719 L/SEC
1" (inch) = 25.4 MM
1 FT = 0.3048 METER
1 LB = 0.4535 KG



TECHNICAL DATA
 Frequency: 330 Hz
 Sound Pressure Level (1/3 octave at 1 meter): 136.0 dB
 Sound Pressure Level (1/3 octave at 1 meter): 131.9 dB
 Air Consumption: 9 C.F.M. @ 100 P.S.I.
 Air Pressure Req: 75 to 150 P.S.I. [5.2 to 10 bar]
 Electric Power: 120 OR 230 VAC, & 24 VDC
 Material: Spun Brass, Cast Bronze, ABS
 Net Weight: 18 Lbs. [8.16 kg]

CAGE: 75214
PARTS LIST: 3-7456



OUTLINE DIMENSIONS
S-330-ENC AIR HORN

DR.	DATE	OKD.	SCALE	DRWG. NO.	REV.
ZLN	04/07/20	EMK	N.T.S.	3-7455	

REV.	BY	DATE	DESCRIPTION	APP'D.