



## Model P449-20 Air Compressor Kit

The Kahlenberg P449-20 Compressed Air Kit is a quiet, oil-less compressor solution incorporating a compact, intermittent duty compressor pump, pressure switch, air gauge, and all tubing and fittings specifically arranged for marine use.



### Technical Details

**Voltage:** 12 V.D.C.

**Max Current:** 20A @12 Volts

**FAD @ 7 bar:** .58 CFM, 16.5 l/min

**Max Pressure:** 130 p.s.i., 8.9 bar

**Weight:** 7 lbs., 3 kg, Compressor and Tank

**Noise Level:** 69 dB(A)@ 1 meter

**Duty Cycle:** 15% @ 100 p.s.i.

**Vibration Isolated:** Yes

**Wire Size:** 14 AWG min.

### Features and benefits of the P449-20 include:



**Quiet Operation:** 69dB(A) @ 1 meter



**Oil-less Operation:**

Minimizes maintenance by eliminating oil in air lines.



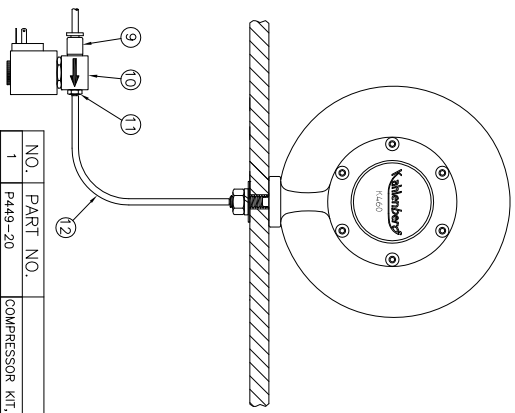
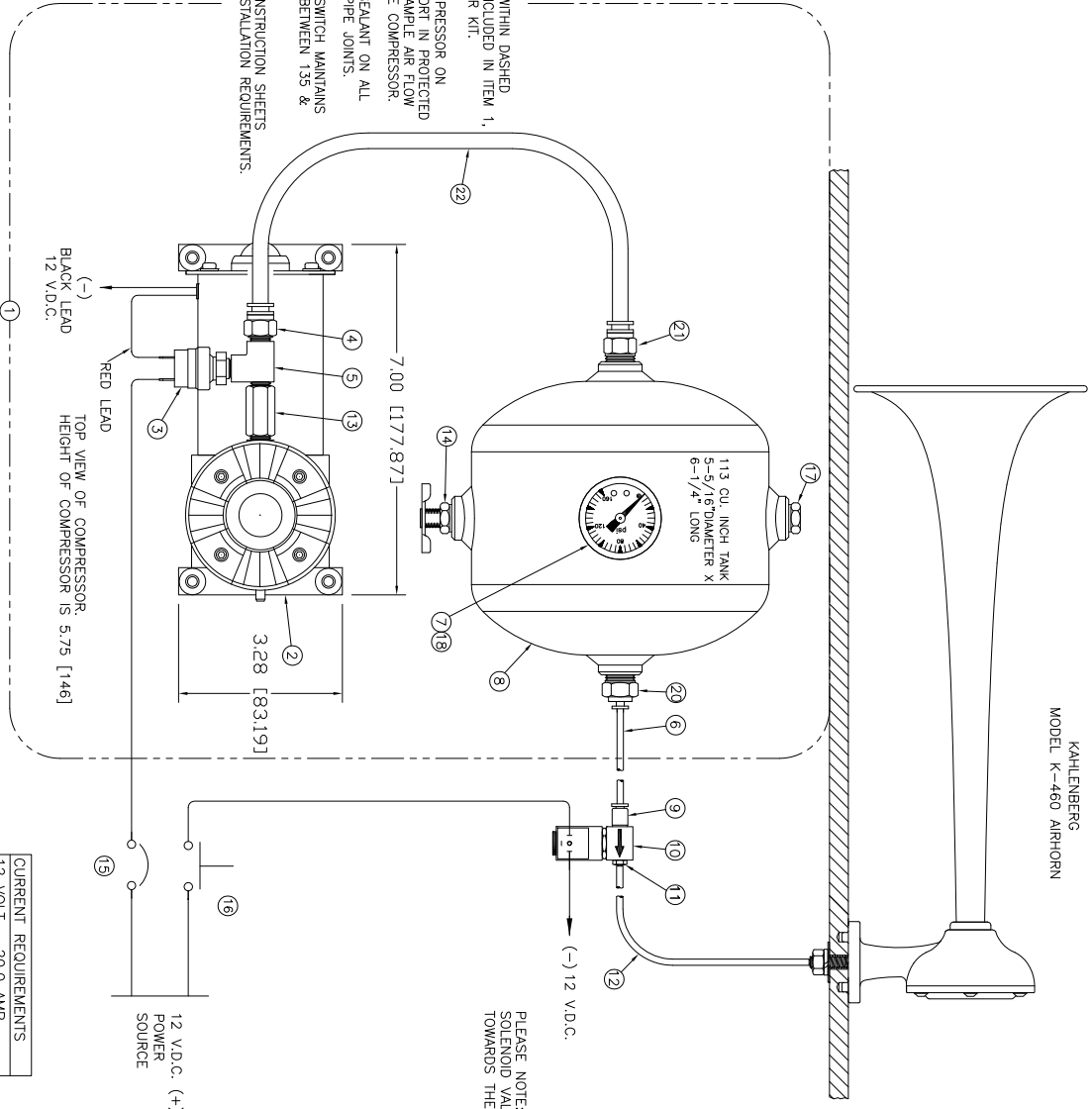
**Easy Installation:**

Fittings, air tank, and tubing are supplied, as are safety valve and air gauge. All fittings are instant connect. The only wiring required is connection of the compressor assembly to line voltage.

**The P449-20 Compressor System provides output sufficient for Kahlenberg Air Horn Models K-460 and K-380**

**Kahlenberg Industries, Inc.**  
1700 12th Street, P.O. Box 358  
Two Rivers, WI 54241 U.S.A.  
[www.kahlenberg.com](http://www.kahlenberg.com)

REV.	BY	DATE	DESCRIPTION	APP'D.
			ITEM 9 WAS P516-18	
A	ZN	01/15/13	ITEM 10 WAS V-170	EMK
			ITEM 11 WAS P516-20	
			ITEM 12 WAS PT130-11	
B	ZN	12/20/13	ITEM 7 WAS M-140	EMK
			ADDED ITEMS 21 & 22	
C	ZN	04/03/14	ITEM 4 WAS P516-19	EMK
			ITEM 20 HAD A QUANTITY OF 2 NOW 1	
D	EK	06/05/19	REVISED FOR P449-33 COMPRESSOR PUMP	EMK
E	EK	09/30/21	ITEM 8 WAS P521-07	EMK



NO.	PART NO.	DESCRIPTION	QTY.
1	P449-20	COMPRESSOR KIT, 12 V.D.C.	1
2	P449-33	COMPRESSOR UNIT ONLY, 12 V.D.C.	1
3	PT148-002	PRESSURE SWITCH	1
4	P516-03	CONNECTOR, MALE, 1/8" N.P.T. X 5/16" O.D. TUBE	1
5	P538-01	TEE FITTING, 1/8" N.P.T. MFF	1
6	PT130-012	TUBING, NYLON, BLACK, 1/8" O.D.	15'
7	M-145	PRESSURE GAUGE	1
8	P521-10	AIR RECEIVER	1
9	P516-19	CONNECTOR, MALE, 1/8" NPT X 1/8" O.D. TUBE	1
10	V-69	SOLENOID VALVE, 1/8" NPT, 12 V.D.C.	1
11	P516-36	CONNECTOR, 1/8" NPT X 1/8" I.D. TUBE, BARBED	1
12	PT130-14	TUBING, PVC, CLEAR, 1/8" I.D.	3'
13	V-62	CHECK VALVE, 1/8" N.P.T.	1
14	D176-2	PETCOCK VALVE, 1/4" N.P.T.	1
15	CUSTOMER SUPPLIED BREAKER	25 AMP FOR 12 VDC COMPRESSOR	1
16	M-126	MOMENTARY PUSH BUTTON SWITCH, S.P.S.T.	1
17	PT27-02	PIPE PLUG, HEX HEAD, 1/4" N.P.T.	1
18	PT134-004	BUSHING, REDUCER, 1/4" TO 1/8" N.P.T.	1
19	W078-0365S	WASHER, FINER, 1/4" (FOR MOUNTING TANK, NOT ILLUSTRATED)	2
20	P516-22	CONNECTOR, MALE, 1/4" N.P.T. X 1/8" O.D. TUBE	1
21	P516-05	CONNECTOR, MALE, 1/4" N.P.T. X 5/16" O.D. TUBE	1
22	PT130-04	TUBING, NYLON, BLACK, 5/16" O.D.	5'

ALL ITEMS WITHIN DASHED LINE ARE INCLUDED IN ITEM 1, COMPRESSOR KIT.

MOUNT COMPRESSOR ON RIGID SUPPORT IN PROTECTED AREA WITH AMPLE AIR FLOW AROUND THE COMPRESSOR.

USE PIPE SEALANT ON ALL THREADED PIPE JOINTS.

PRESSURE SWITCH MAINTAINS PRESSURE BETWEEN 135 & 100 P.S.I.

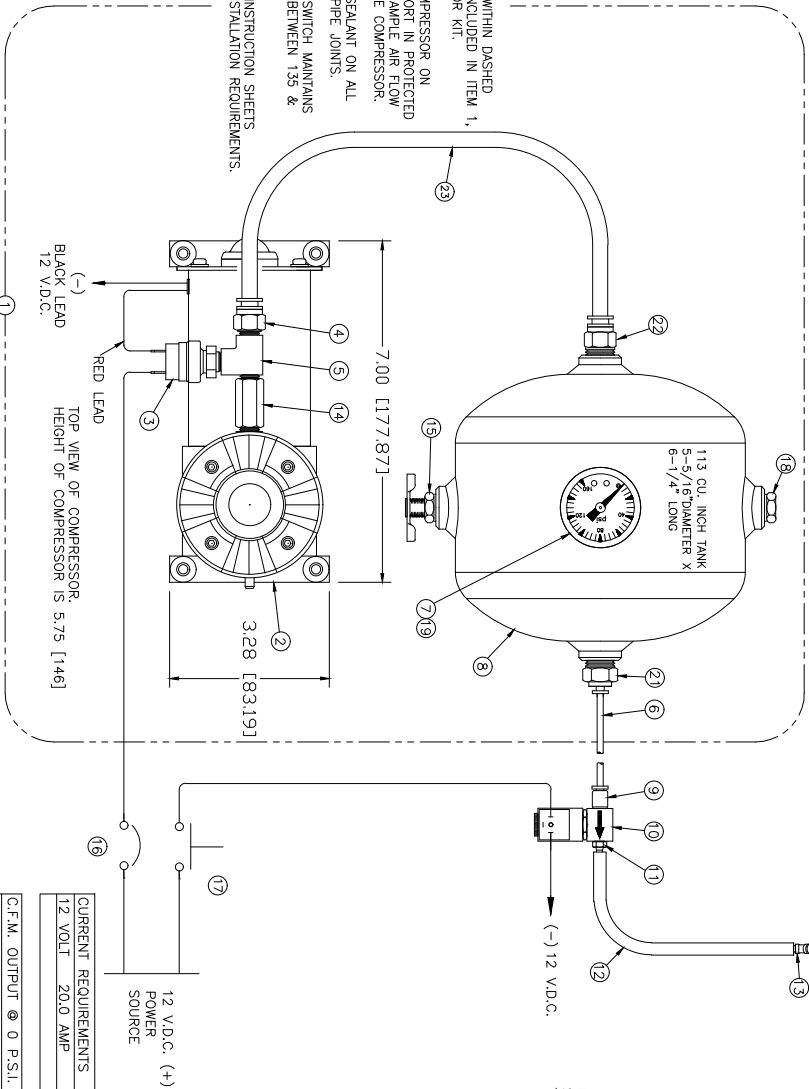
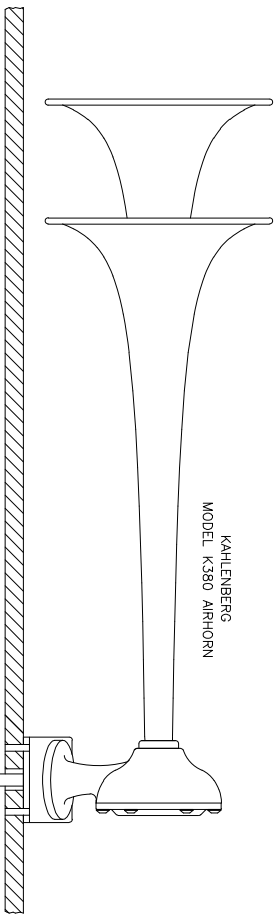
REFER TO INSTRUCTION SHEETS FOR ALL INSTALLATION REQUIREMENTS.

CURRENT REQUIREMENTS	12 VOLT	20.0 AMP
C.F.M. OUTPUT @ 0 P.S.I.	12 VOLT	1.38 C.F.M.

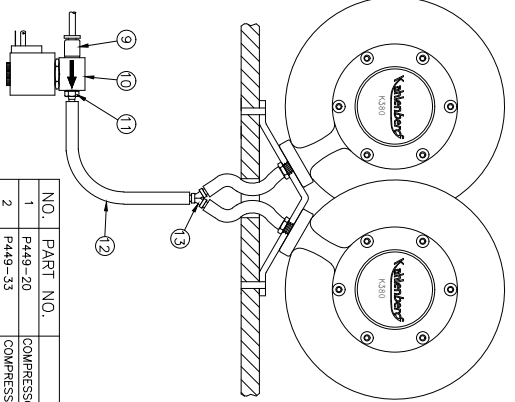
**Kahlberg**  
KAHLENBERG INDUSTRIES INC. TWO RIVERS, WI. U.S.A.

INSTALLATION (SUGGESTED)  
& PARTS LIST FOR  
K-460 AIRHORN SYSTEM

DR.	DATE	CKD.	SCALE	DRWG. NO.	REV.
ZUN	12/02/07	EMK	N.T.S.	3-6466	E



ALL ITEMS WITHIN DASHED LINE ARE INCLUDED IN ITEM 1, COMPRESSOR KIT.  
 MOUNT COMPRESSOR ON RIGID SUPPORT IN PROTECTED AREA WITH AMPLE AIR FLOW AROUND THE COMPRESSOR.  
 USE PIPE SEALANT ON ALL THREADED PIPE JOINTS.  
 PRESSURE SWITCH MAINTAINS PRESSURE BETWEEN 135 & 100 P.S.I.  
 REFER TO INSTALLATION SHEETS FOR ALL INSTALLATION REQUIREMENTS.



PLEASE NOTE: ARROW ON SOLENOID VALVE POINTS TOWARDS THE K380 AIRHORN

NO.	PART NO.	DESCRIPTION	QTY.
1	P449-20	COMPRESSOR KIT, 12 V.D.C.	1
2	P449-33	COMPRESSOR UNIT ONLY, 12 V.D.C.	1
3	PT148-002	PRESSURE SWITCH	1
4	P516-03	CONNECTOR, MALE, 1/8" N.P.T. X 5/16" O.D. TUBE	1
5	P538-01	TEE FITTING, 1/8" N.P.T. M.F.F.	1
6	PT130-012	TUBING, NYLON, BLACK, 1/8" O.D.	10'
7	M-145	PRESSURE GAUGE	1
8	P521-10	AIR RECEIVER	1
9	P516-19	CONNECTOR, MALE, 1/8" NPT X 1/8" O.D. TUBE	1
10	V-69	SOLENOID VALVE, 1/8" NPT, 12 V.D.C.	1
11	P516-36	CONNECTOR, 1/8" NPT X 1/8" I.D. TUBE, BARBED	1
12	PT130-14	TUBING, PVC, CLEAR, 1/8" I.D.	3'
13	P516-34	CONNECTOR, "Y", 1/8" I.D. TUBE, BARBED	1
14	V-42	CHECK VALVE, 1/8" N.P.T.	1
15	D176-2	PETCOCK VALVE, 1/4" N.P.T.	1
16	CUSTOMER SUPPLIED BREAKER	25 AMP FOR 12 VDC COMPRESSOR	1
17	M-126	MOMENTARY PUSH BUTTON SWITCH, S.P.S.T.	1
18	P127-02	PIPE PLUG, HEX HEAD, 1/4" N.P.T.	1
19	PT134-004	BUSHING, REDUCER, 1/4" TO 1/8" N.P.T.	1
20	W078-036SS	WASHER, ENDER, 1/4" (FOR MOUNTING BLM, NOT ILLUSTRATED)	2
21	P516-22	CONNECTOR, MALE, 1/4" N.P.T. X 1/8" O.D. TUBE	1
22	P516-05	CONNECTOR, MALE, 1/4" N.P.T. X 5/16" O.D. TUBE	1
23	PT130-004	TUBING, NYLON, BLACK, 5/16" O.D.	5'

REV.	BY	DATE	DESCRIPTION	APP'D.
A	ZJM	08/09/03/07	ADDED ITEMS 18, 19, 20 & 21	EMK
B	ZJM	09/11/07	CHANGED QUANTITY OF ITEM 4 FROM 5 PCS TO 1	EMK
C	ZJM	06/09/08	PLACED CHECK VALVE (ITEM 14) BEFORE PRESSURE SWITCH & TEE (ITEMS 3 & 5)	EMK
D	ZJM	10/15/08	MAINTAIN PRESSURE WAS BETWEEN 135 & 110 PSI	EMK
E	ZJM	01/27/10	ITEM 4 WAS P516-19, ITEM 21 QUANTITY WAS 2, ADDED ITEM 23, ADDED ITEM 25	EMK
F	ZJM	01/15/13	ITEM 9 WAS P516-18	EMK
G	ZJM	12/20/13	ITEM 10 WAS M-170	EMK
H	EMK	06/05/19	ITEM 11 WAS P516-35	EMK
I	ZJM	09/30/21	REMOVED FOR P449-33 COMPRESSOR PUMP ITEM 8 WAS P521-07	EMK

**Kahlberg**  
 TWO RIVERS, WI, U.S.A.

INSTALLATION (SUGGESTED)  
 & PARTS LIST FOR  
 K380 AIRHORN SYSTEM

DR.	DATE	CKD.	SCALE	DRWG. NO.	REV.
ZJM	08/16/06	EMK	N.T.S.	3-6406	1

CURRENT REQUIREMENTS	
12 VOLT	20.0 AMP
C.F.M. OUTPUT @ 0 P.S.I.	1.38 C.F.M.

TOP VIEW OF COMPRESSOR  
 HEIGHT OF COMPRESSOR IS 5.75 [146]

RED LEAD  
 BLACK LEAD  
 12 V.D.C.

12 V.D.C. (+)  
 POWER SOURCE