

## Directional, Single Tone Industrial Air Horn

\*EFFECTIVE OUTDOOR COVERAGE OF UP TO 2.5 KILOMETERS



- Single tone, 622 Hz fundamental frequency, engineered to produce full harmonic contents up to 12 octaves which greatly enhance warning effectiveness
- Horn is energy efficient with hermetically sealed diaphragm assembly which operates on a wide range of pressure without tuning or adjustment.
- Horn construction: High strength aluminum casting, stainless steel diaphragm discs and fasteners.

\* Signal will produce a sound pressure level of approximately 70 dB @ 2.5 km in calm, cool conditions without topographical interference. Signal strength at distance can vary dramatically depending on environmental and geographical conditions. Please consult factory for more detailed information.

SPL (loudness) on Total:	139 ± 1 dBA @ 1 meter
Air Inlet:	1/2" NPT
Operating medium:	Air, nitrogen, CO <sub>2</sub>
Air consumption:	11 L/Sec [24 SCFM] at 7 bars [100 PSIG]
Control:	Manual, Solenoid or Combination valve
Audibility:	2.5 km on still air
Fundamental Frequency:	622 Hz ± 30 Hz
Tone (musical note):	C <sub>5</sub> natural
Operating Pressure:	2 – 10 bars [ 30 – 150 PSIG]
Operating Temperature:	-40°C to +85°C [-40°F to +185°F]
Finish:	Painted red
Degree of Protection:	IP 54
Basic Dimension:	228mm x 152mm x 203mm [9"x 6"x 8"]
Net Weight:	2 kg [4.5 lbs]

**Kahlenberg Industries, Inc.**

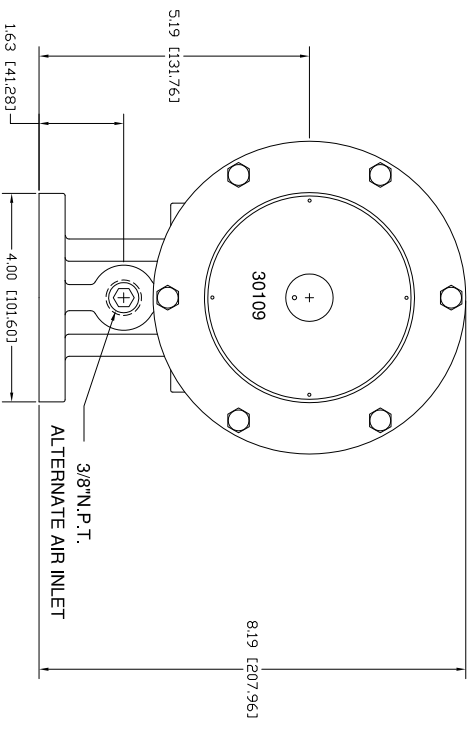
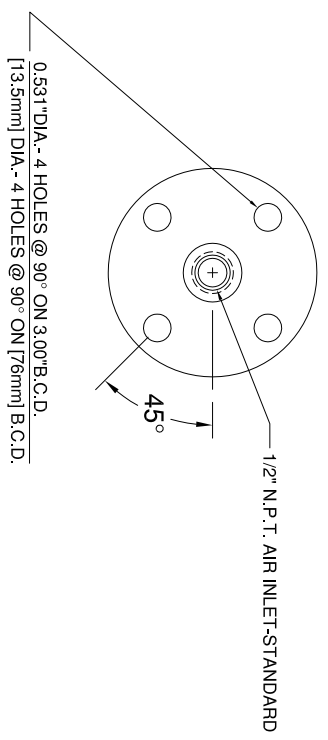
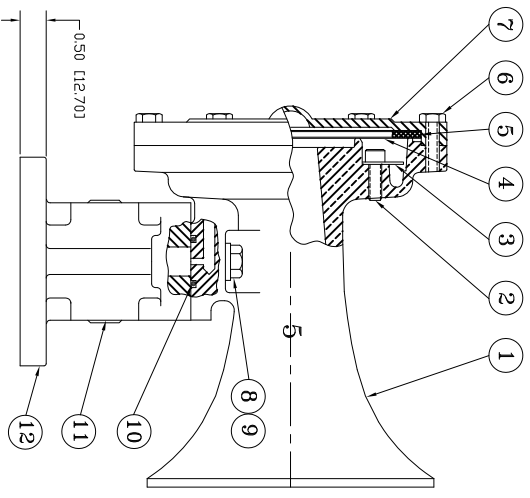
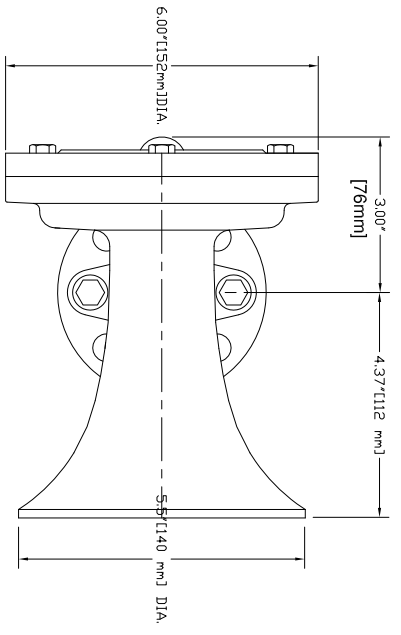
1700 12th Street, P.O. Box 358  
Two Rivers, Wisconsin, 54241

Phone: (920) 793-4507 / Fax: (920) 793-1346

Website: [www.kahlenberg.com](http://www.kahlenberg.com) Email: [info@kahlenberg.com](mailto:info@kahlenberg.com)

REV.	BY	DATE	DESCRIPTION	APP'D.

FUNDAMENTAL FREQUENCY : 622 Hz



ALL DIMENSIONS ARE FOR REFERENCE ONLY, U.O.S.

REF PART	DESCRIPTION	MATERIAL	SPECIFICATION	QTY
1	BELL BODY No. 5	DIE CAST ALUMINUM	ASTM-B26-65	1
2	SOCKET HD. CAP SCREW	STAINLESS STEEL	ASTM F837	3
3	DIAPHRAGM DISC	STAINLESS STEEL	UNS-S30400	1
4	DIAPHRAGM DISC	STAINLESS STEEL	UNS-S30100	2
5	CUSHION RING	SILICONE RUBBER	ASTM D2000	1
6	HEX HEAD CAP SCREW	STAINLESS STEEL	ASTM F593C	6
7	DIAPHRAGM CAP	DIE CAST ALUMINUM	ASTM-B26-65	1
8	HEX HEAD CAP SCREW	STAINLESS STEEL	ASTM F593C	2
9	LOCKWASHER	STAINLESS STEEL	ASA B27.1	2
10	O RING	BUNA N	ML STD 417SB	1
11	PIPE PLUG 3/8" N.P.T.	ALLOY STEEL	ASA B18.8	2
12	SINGLE TONE BASE	CAST ALUMINUM	UNS A03562	1

**CONFIDENTIAL**

INFORMATION CONTAINED HEREIN IS CONFIDENTIAL. IT IS THE PROPERTY OF KAHLBERG INDUSTRIES INC. IT IS TO BE USED SOLELY FOR THE PURPOSE PROVIDED AND IT IS NOT TO BE DISCLOSED TO OTHERS WITHOUT THE PRIOR WRITTEN CONSENT OF KAHLBERG INDUSTRIES INCORPORATED.



KAHLBERG INDUSTRIES INC. TWO RIVERS, WISCONSIN 54241

OUTLINE DIMENSIONS / PARTS LIST  
MODEL K-5 AIR HORN

CAGE: 75214

Copyright Kahlberg Ind. Inc. 2010

DR.	DATE	CKD.	SCALE	DRWG. NO.	REV.
ZJN	03/19/13	EMK	N.T.S.	30235	