

Directional, Single Tone Industrial Air Horn

*EFFECTIVE OUTDOOR COVERAGE OF UP TO 2.5 KILOMETERS



- Single tone, 470 Hz fundamental frequency, engineered to produce full harmonic contents up to 12 octaves which greatly enhance warning effectiveness
- Horn is energy efficient with hermetically sealed diaphragm assembly which operates on a side range of pressure without tuning or adjustment.
- Horn construction: High strength aluminum casting, stainless steel diaphragm discs and fasteners.

* Signal will produce a sound pressure level of approximately 70 dB @ 2.5 km in calm, cool conditions without topographical interference. Signal strength at distance can vary dramatically depending on environmental and geographical conditions. Please consult factory for more detailed information.

SPL (loudness) on Total:	139 ± 1 dBA @ 1 meter
Air Inlet:	1/2" NPT
Operating medium:	Air, nitrogen, CO ₂
Air consumption:	11 L/Sec [24 SCFM] at 7 bars [100 PSIG]
Control:	Manual, Solenoid or Combination valve
Audibility:	2.5 km on still air
Fundamental Frequency:	470 Hz ± 20 Hz
Tone (musical note):	A ₄ sharp
Operating Pressure:	2 – 10 bar [30 – 150 PSIG]
Operating Temperature:	-40°C to +85°C [-40°F to +185°F]
Finish:	Painted red
Degree of Protection:	IP 54
Basic Dimension:	254mm x 178mm x 216 mm [10"x 7"x 8.5"]
Net Weight:	3 kg [6 lbs]

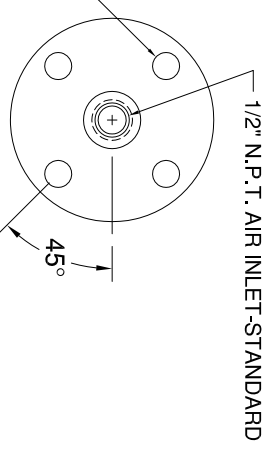
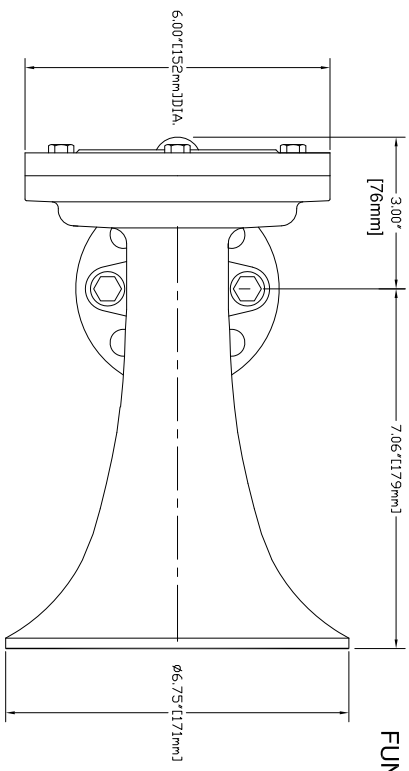
Kahlenberg Industries, Inc.

1700 12th Street, P.O. Box 358
Two Rivers, Wisconsin, 54241

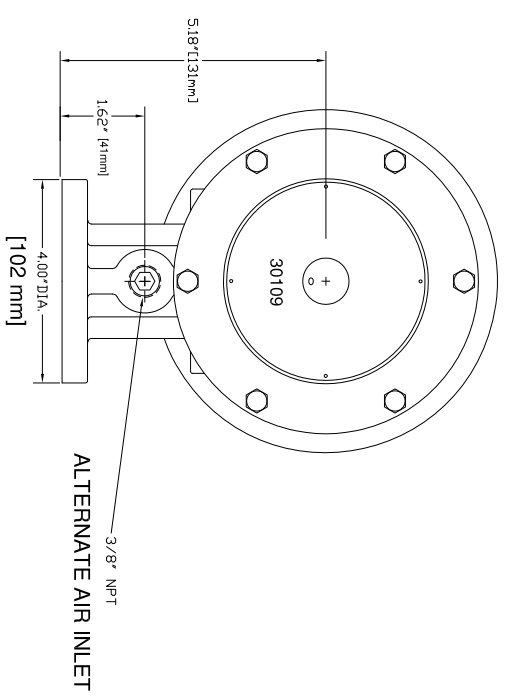
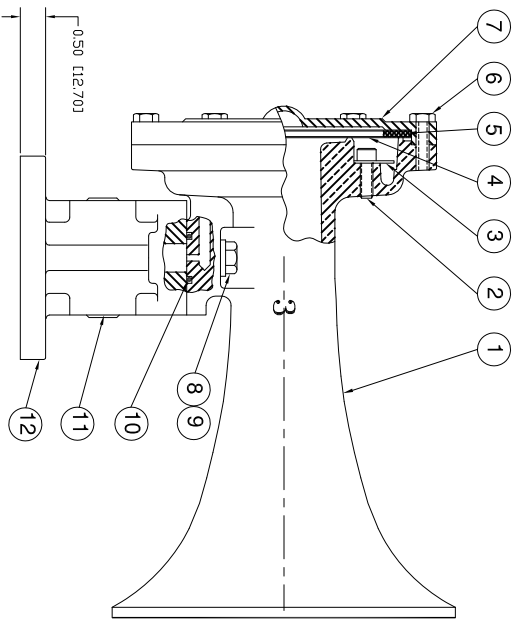
Phone: (920) 793-4507 / Fax: (920) 793-1346

Website: www.kahlenberg.com Email: info@kahlenberg.com

REV.	BY	DATE	DESCRIPTION	APP'D.



0.531" DIA.- 4 HOLES @ 90° ON 3.00" B.C.D.
[13.4mm] DIA.-4 HOLES @ 90° ON [76mm] B.C.D.



REF PART	DESCRIPTION	MATERIAL	SPECIFICATION	QTY
1	30103 BELL BODY No. 3	DIE CAST ALUMINUM	ASTM-B26-65	1
2	30144 SCREW 1/4"-20x5/8"	STAINLESS STEEL	ASTM F593C	3
3	30143 DIFFUSER	STAINLESS STEEL	UNS-S30400	1
4	30111 DIAPHRAGM DISC	STAINLESS STEEL	UNS-S30100	2
5	30112 CUSHION RING	SILICONE RUBBER	ASTM D2000	1
6	30110 SCREW 1/4"-20x7/8"	STAINLESS STEEL	ASTM F593C	6
7	30109 DIAPHRAGM CAP	DIE CAST ALUMINUM	ASTM-B26-65	1
8	30119 SCREW 3/8"-16x 1 1/2"	STAINLESS STEEL	ASTM F593C	2
9	30122 LOCKWASHER	STAINLESS STEEL	ASA B27.1	2
10	30211 O RING	BUNA N	ML STD 417 SB	1
11	20914 PIPE PLUG 3/8" N.P.T.	ALLOY STEEL	COMMERCIAL	2
12	30117 SINGLE TONE BASE	CAST ALUMINUM	UNS A03562	1

CONFIDENTIAL

INFORMATION CONTAINED HEREIN IS CONFIDENTIAL, IT IS THE PROPERTY OF KAHLBERG INDUSTRIES INC. IT IS TO BE USED SOLELY FOR THE PURPOSE PROVIDED, AND IT IS NOT TO BE DISCLOSED TO OTHERS WITHOUT THE PRIOR WRITTEN CONSENT OF KAHLBERG INDUSTRIES INCORPORATED.



OUTLINE DIMENSIONS / PARTS LIST
MODEL K-3 AIR HORN

DR.	DATE	CKD.	SCALE	DRWG. NO.	REV.
ZJN	09/19/13	EMK	N.T.S.	30233	

CAGE: 75214

© CopyRight Kahlberg Ind. Inc. 2010