

Model M-803 Control and Power Assembly

The Kahlenberg Model M-803 Power and Control Assembly for use with the KB-30A (P527-01) Horn provides an amplified "horn" audio signal to the KB-30A, which is essentially a 100 watt all-weather speaker. The M-803 also includes a timer relay to set "on" and "off" times for a repeating pattern of horn signals. A thermostatically controlled internal heater prevents condensation inside the enclosure and allows for use in sub-freezing outdoor environments.

The M-803 is normally configured for activation by a simple push button, and when combined with Kahlenberg wireless transmitters and receivers, it can be remotely activated from distances of up to 10 miles away from the control station. Multiple horns can be activated synchronously, offering wide ranging coverage ideal for dams, open mining operations, or any other outdoor installation where high output warning signals are required.



TECHNICAL DATA

Supply Voltage:

85-264 Volts A.C.

Power Consumption: 55 mA Idle
5.2 Amps (During Signaling)

Temperature Rating:

-40 to 60 deg. C. (-40 to 140 deg. F)

Timer Settings:

Adjustable 1-10 Sec./Min./Hr., On and Off

Enclosure:

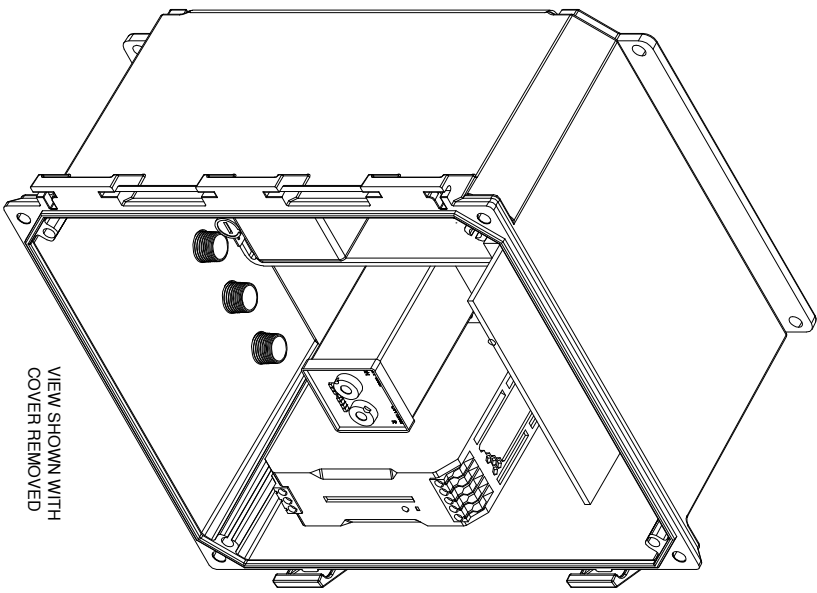
IP66, NEMA 4, 4X Polycarbonate

Net Weight: 10 lbs., 4.5 kg.

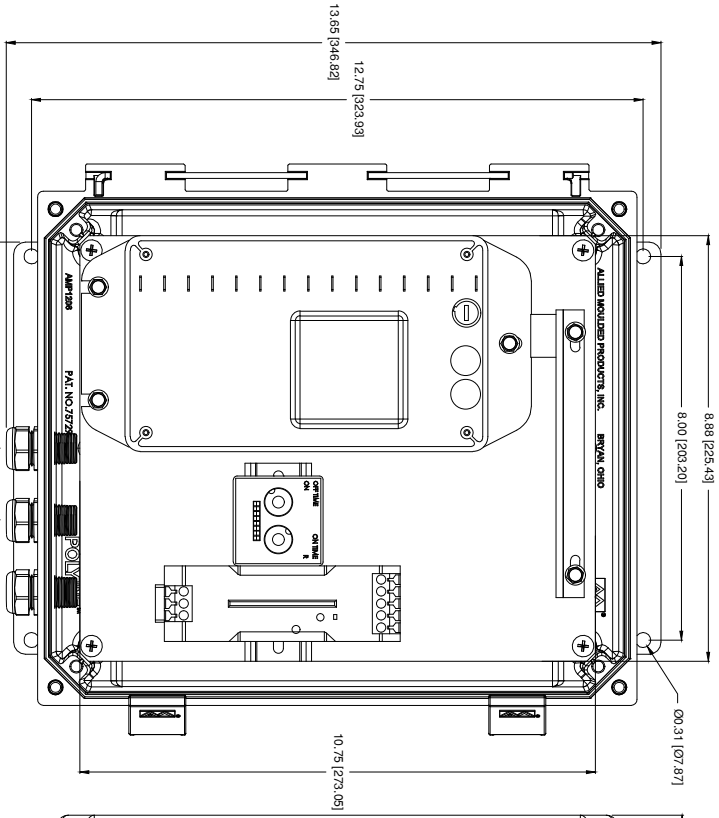
Dimensions:

13.65" x 11.90" x
7.19" (347x303x183mm)

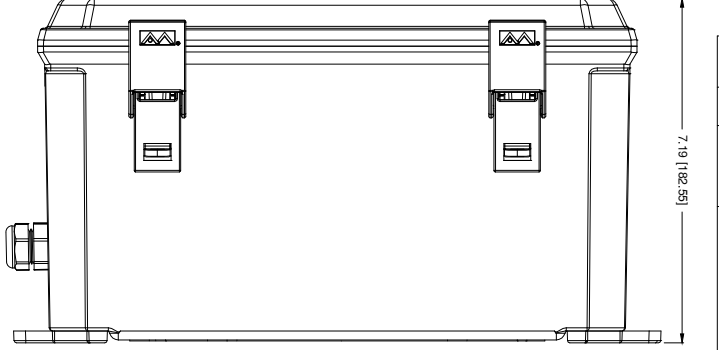
- POWER SUPPLY AND TIMED SIGNALS FOR KB-30A (P527-01) ELECTRIC HORN
- IDEAL FOR OUTDOOR INSTALLATIONS, WEATHERPROOF AND HEATED
- POWERED BY COMMON A.C. VOLTAGE
- COMBINE WITH KAHLENBERG WIRELESS EQUIPMENT FOR REMOTE ACTIVATION
- SIMPLE, PROGRAMABLE "ON-OFF" RELAY FOR REPEATING HORN SIGNALS



VIEW SHOWN WITH COVER REMOVED



VIEW SHOWN WITH COVER REMOVED



POWER SUPPLY

Input Voltage Range: 85-264 VAC
 Output Voltage: 120 VAC
 Number of Outputs: 1 Output
 Operation: Switching
 Output Current: 5 A
 Output Power: 120 W
 Output Voltage: 24 VDC

TIMER RELAY

SUPPLY VOLTAGE: 20 to 240 VAC, 12 to 240 VDC.
 RAC: 30/60 Hz
 DELAY MODES: ON/OFF
 DELAY MODES: ON/OFF first (selectable by DIP switches)
 TIME RANGES: 1 / 10 SEC / MIN / HR for both On & Off times (selectable by DIP switches)
 RELAY RATINGS @ 230 VAC, resistive load
 Model SSTX 5A @ 230 VAC/24 VDC, resistive
 POWER 3 VA max.
 CONSUMPTION
 ACCURACY Setting: ± 5% of full scale.
 Repeats: 20, 5% or 50 msec
 Wiperover protection: ON / Relay ON
 RESET: On interruption of power
 HOUSING: Flame retardant plastic.
 HUMIDITY: Up to 95% RH (0° to 50°C)
 OPERATING: 32° to 122°F (0° to 75°C)
 STORAGE: 4° to 157°F (-20° to 75°C)

ENCLOSURE

Material: Polyarbonate
 Base colour: RAL 7035 -light grey
 Cover screws material: Stainless steel
 Gasket material: Polyurethane

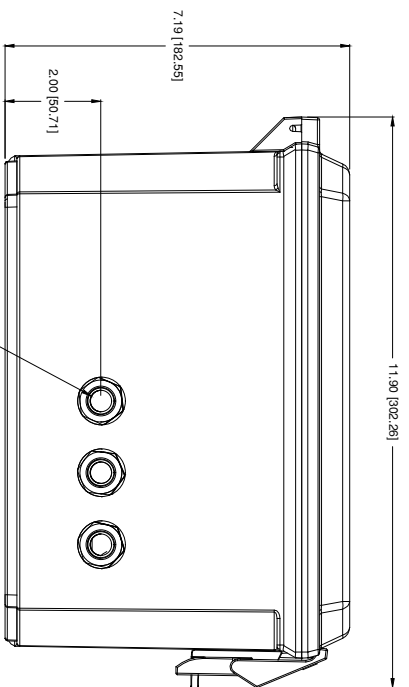
Temperatures:
 Temperature °C (short term): -40 ÷ 140 °C
 Temperature °C (continuous): -40 ÷ 80 °C
 Temperature °F (short term): -40 ÷ 294 °F
 Temperature °F (continuous): -40 ÷ 175 °F

Rated:
 Ingress Protection (EN 60529): IP66/IP67
 Impact Resistance (EN 62282): IK09
 Electrical insulation: Totally insulated
 Halogen free (DIN VDE 0472, Part 815): 1
 UV resistance: UL 508
 Flammability Rating: UL 508
 Glow Wire Test (IEC 695-2-1) - C: 960

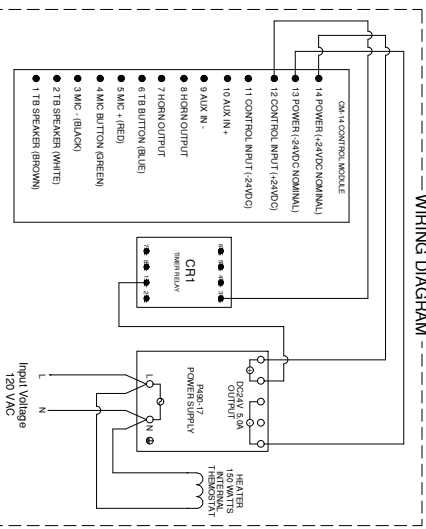
Material: Polyarbonate
 Base colour: RAL 7035 -light grey
 Cover screws material: Stainless steel
 Gasket material: Polyurethane

Temperatures:
 Temperature °C (short term): -40 ÷ 140 °C
 Temperature °C (continuous): -40 ÷ 80 °C
 Temperature °F (short term): -40 ÷ 294 °F
 Temperature °F (continuous): -40 ÷ 175 °F

Rated:
 Ingress Protection (EN 60529): IP66/IP67
 Impact Resistance (EN 62282): IK09
 Electrical insulation: Totally insulated
 Halogen free (DIN VDE 0472, Part 815): 1
 UV resistance: UL 508
 Flammability Rating: UL 508
 Glow Wire Test (IEC 695-2-1) - C: 960



Cable size range: 0.16" - 0.312"
 4mm - 8mm



REV.	BY	DATE	DESCRIPTION	APP'D.

DR.	DATE	CKD.	SCALE	DRWG. NO.	REV.
ZJN	10/23/20	EMK	N/T S.	3-7512	

		TWO BAYERS, WISCONSIN 54241
KAHLENBERG INDUSTRIES, INC.		
OUTLINE DIMENSIONS		
M-803 CONTROL AND POWER ASSEMBLY		
KB-30A		